

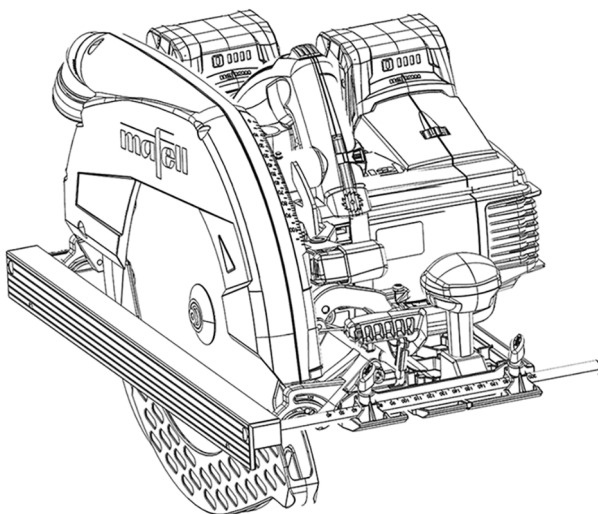
**IMPORTANT**  
Read Before Using

**IMPORTANT**  
Lire avant usage

**IMPORTANTE**  
Leer antes de usar



**Operating/Safety Instructions**  
**Consignes d'utilisation/de sécurité**  
**Instrucciones de funcionamiento y seguridad**



For English Version  
See page 2

Version française  
Voir page 36

Versión en español  
Ver la página 71

**Table of contents**




1	Signs and symbols .....	4
1.1	Identification of the device .....	6
2	Product specifications .....	6
2.1	Manufacturer's data .....	6
2.2	Technical data .....	7
2.3	Scope of delivery .....	7
2.4	Adjustment elements .....	8
2.5	Intended use .....	9
2.6	Foreseeable misuse .....	9
3	General power tool safety warnings .....	10
3.1	Work area safety .....	10
3.2	Electrical safety .....	10
3.3	Personal safety .....	10
3.4	Power tool use and care .....	11
3.5	Battery tool use and care .....	11
3.6	Service .....	12
4	Circular Saw Safety Warnings .....	12
5	Specific safety rules .....	15
6	Residual risks .....	17
7	Setup / adjustment .....	18
7.1	Charging the rechargeable battery .....	18
7.2	Inserting the rechargeable battery .....	18
7.3	Removing the rechargeable battery .....	19
7.4	Chip extraction .....	20
7.5	Saw blade selection .....	20
7.6	Changing the saw blade .....	21
7.7	Riving knife .....	23
8	Operation .....	24
8.1	Startup .....	24
8.2	Switching on .....	24
8.3	Light .....	24
8.4	Rotational speed setting .....	25
8.5	Switching off .....	26
8.6	Cutting depth setting .....	26
8.7	Setting for bevel cuts .....	27
8.8	Plunge cuts .....	27
8.9	Sawing along markings .....	29
8.10	Sawing with the parallel guide fence .....	30

---

8.11	Working with special accessories.....	31
8.12	Sawing of sandwich panels.....	32
9	Service and maintenance.....	32
9.1	Storage.....	32
9.2	Transport.....	33
9.3	Disposal of a rechargeable battery.....	33
10	Troubleshooting.....	33
11	Optional accessories.....	35
12	Exploded view and spare parts list.....	35







## 1 Signs and symbols

These operating instructions contain the following general information signs to guide you, the reader, through the operating instructions and to provide you with important information.

Sign	Meaning
	<b>Important information</b> This sign highlights user tips and other useful information.
	Identifies an intermediate result in a sequence of actions.
	Identifies the final result of a sequence of actions.





Tab. 1: General signs and their meanings

Warning icons warn of dangerous points, risks and obstacles.

Icon	Meaning
	<b>Warning</b> This icon can be found at all locations where you can find information regarding your safety. Non-observance can result in extremely serious injuries.
	Warns of danger of electric shock.
	Warns of danger caused by dust.
	Warns of the danger of cutting.
	Warns of the danger of cutting off or severing limbs.
	Warns of the danger of fire and explosion.

Tab. 2: Warning icons and their meanings




Mandatory icons are intended to prevent accidents.

Icon	Meaning
	Wear eye protection.
	Wear dust mask.
	Wear hearing protection.
	Wear protective gloves.

Tab. 3: Mandatory icons and their meanings

During the operation of the power tool there are always actions to be taken where hazards can occur. These potentially dangerous actions are preceded by warnings which must be observed.






#### Classification of the danger level (signal words) of warnings

Warning	Meaning and consequences of non-observance
 <b>Danger</b>	<b>Imminent danger that will cause serious or fatal injuries.</b>
 <b>Warning</b>	<b>Potentially dangerous situation that can cause serious or fatal injuries.</b>
 <b>Caution</b>	<b>Potentially dangerous situation that can cause minor injuries.</b>

Tab. 4: Structure of warnings

## 1.1 Identification of the device

The icons listed and explained below can be found on the rating plate or on the product.

Symbol	Explanation	Symbol	Explanation
V	Volt	1, 2, 3, ... I, II, III, ...	Rotational speed setting
A	Ampere	rpm	Revolutions per minute
Hz	Hertz	∅	Saw blade diameter
W	Watt	~	Alternating current
kg	Kilogram (weight)		Protection class II
min	Minutes (time)		Read operating instructions
s	Seconds (time)		Protective goggles
n <sub>0</sub>	Rated speed at no load		Hearing protection
n	Rated speed at normal load		Dust mask



Cordless Alliance System (=CAS) is a cross-manufacturer battery pack system. Further information is available at [www.cordless-alliance-system.com](http://www.cordless-alliance-system.com)

## 2 Product specifications

for portable circular saw K 105-18 with item number 91D324

The article number and machine number are listed on the type plate of the machine.



By entering the article number and machine number on the MAFELL homepage, you can call up the spare parts lists, exploded drawings, and other product information belonging to your machine (see also Chapter 12 Exploded view and spare parts list).

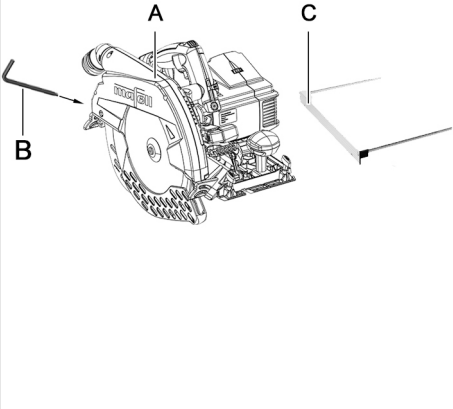
### 2.1 Manufacturer's data

MAFELL AG, Beffendorfer Straße 4, D-78727 Oberndorf / Neckar, Phone +49 (0)7423/812-0, Fax +49 (0)7423/812-218, e-mail: [mafell@mafell.de](mailto:mafell@mafell.de), Homepage [www.mafell.com](http://www.mafell.com)

## 2.2 Technical data

Rated voltage	18 V, DC
Rotational speed at no-load operation	2800 to 5200 rpm
Cutting depth 0°/30°/45°/60°	110/94/77/55 mm [4.33/3.70/3.03/2.17 in]
Swiveling saw unit	0° – 60°
Saw blade diameter	280 mm [11.02 in]
Saw blade base body thickness	1.8 mm [0.04 in]
Tool cutting width	2.8 mm [0.08 in]
Saw blade mounting hole	30 mm [1.2 in]
Hose connector diameter	35 mm [1.4 in]
Weight with rechargeable battery (without parallel guide fence)	9.3 kg [20.50 lbs]
Dimensions (width x length x height)	297 x 450 x 327 mm [11.69 x 17.72 x 12.87 in]

## 2.3 Scope of delivery

	<table border="1"> <thead> <tr> <th colspan="2">Components</th> </tr> </thead> <tbody> <tr> <td>A</td> <td>Hand-held circular saw</td> </tr> <tr> <td>B</td> <td>Allen key in a holder on the machine</td> </tr> <tr> <td>C</td> <td>Parallel guide fence</td> </tr> </tbody> </table>	Components		A	Hand-held circular saw	B	Allen key in a holder on the machine	C	Parallel guide fence
Components									
A	Hand-held circular saw								
B	Allen key in a holder on the machine								
C	Parallel guide fence								
<p>Fig. 1: Scope of delivery</p>									

## 2.4 Adjustment elements

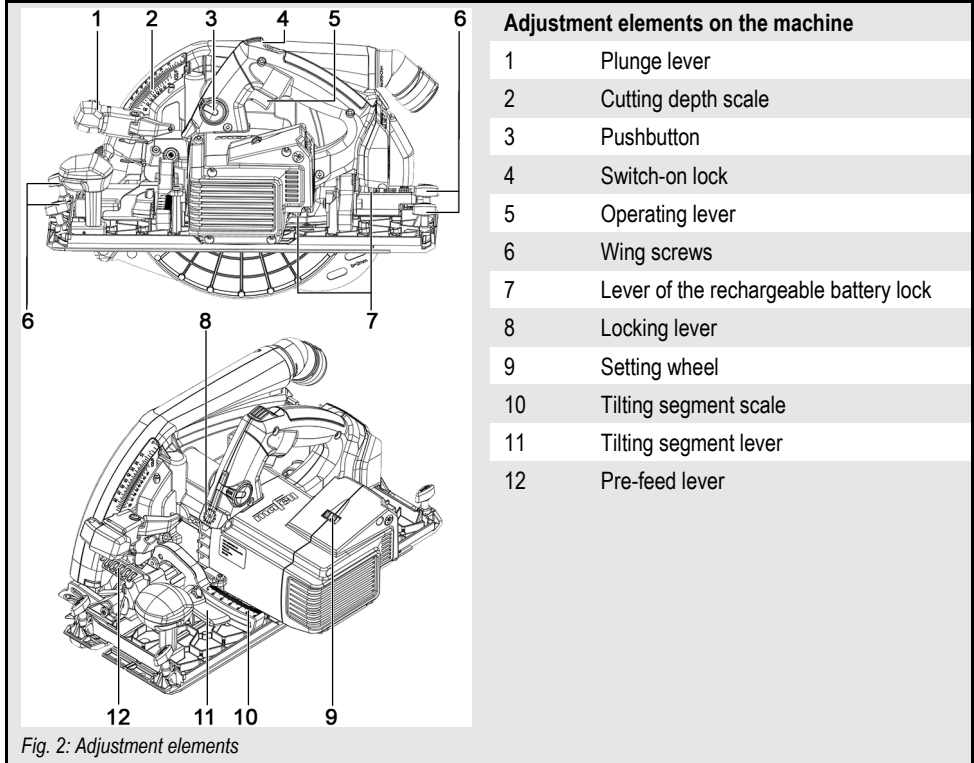


Fig. 2: Adjustment elements

## 2.5 Intended use

The hand-held circular saw is only suitable for ripping and cross cutting of solid wood.

Panel material such as chip board, core board and medium density fiber board can also be processed.

Processing wood fibre insulation materials and synthetic materials (polystyrene) is also possible.

Use only saw blades that are approved by the manufacturer.

The machine can also process sandwich panels.

The use in industrial continuous operation is not permitted.

Use only the battery packs and the charger APS M (Order no. 095220) approved by the manufacturer.

Any use other than the intended use listed above is not permitted. The manufacturer is not liable for any damage resulting from such other use; such use shall also void all guarantee and warranty claims.

Using the machine as intended requires compliance with the MAFELL-specified terms of operation, maintenance, and repair.

## 2.6 Foreseeable misuse

### Foreseeable misuse includes:

- Tampering with, removing and/or bypassing safety devices of any kind.
- Operating the machine without safety devices.
- Non-observance of safety and warning instructions in the operating instructions.
- Removing the safety and warning labels from the machine.
- Operating the machine by unauthorized persons.
- Failure to follow prescribed maintenance and care instructions.

### Never use:

- Cracked and/or deformed saw blades.
- Saw blades made of high speed steel (HSS saw blades).
- Blunt saw blades as they impose an excessive load on the motor.
- Saw blades with a base body thicker than or a cutting width smaller than the riving knife.
- Saw blades that are not suitable for the no load speed of the saw blade.
- Abrasive wheels.

### 3 General power tool safety warnings

#### Warning

Read all safety warnings, instructions, illustrations and specifications provided with this power tool. Failure to follow all instructions listed below may result in electric shock, fire and/or serious injury.

Save all warnings and instructions for future reference.

The term "power tool" in the warnings refers to your mains-operated (corded) power tool or battery-operated (cordless) power tool.

#### 3.1 Work area safety

- **Keep work area clean and well lit.** Cluttered or dark areas invite accidents.
- **Do not operate power tools in explosive atmospheres, such as in the presence of flammable liquids, gases or dust.** Power tools create sparks which may ignite the dust or fumes.
- **Keep children and bystanders away while operating a power tool.** Distractions can cause you to lose control.

#### 3.2 Electrical safety

- **Power tool plugs must match the outlet. Never modify the plug in any way. Do not use any adapter plugs with earthed (grounded) power tools.** Unmodified plugs and matching outlets will reduce risk of electric shock.
- **Avoid body contact with earthed or grounded surfaces, such as pipes, radiators, ranges and refrigerators.** There is an increased risk of electric shock if your body is earthed or grounded.
- **Do not expose power tools to rain or wet conditions.** Water entering a power tool will increase the risk of electric shock.
- **Do not abuse the cord. Never use the cord for carrying, pulling or unplugging the power tool. Keep cord away from heat, oil, sharp edges or moving parts.** Damaged or entangled cords increase the risk of electric shock.
- **When operating a power tool outdoors, use an extension cord suitable for outdoor use.** Use of a cord suitable for outdoor use reduces the risk of electric shock.
- **If operating a power tool in a damp location is unavoidable, use a residual current device (RCD) protected supply.** Use of an RCD reduces the risk of electric shock.

#### 3.3 Personal safety

- **Stay alert, watch what you are doing and use common sense when operating a power tool. Do not use a power tool while you are tired or under the influence of drugs, alcohol or medication.** A moment of inattention while operating power tools may result in serious personal injury.
- **Use personal protective equipment. Always wear eye protection.** Protective equipment such as a dust mask, non-skid safety shoes, hard hat or hearing protection used for appropriate conditions will reduce personal injuries.

- **Prevent unintentional starting. Ensure the switch is in the off-position before connecting to power source and/or battery pack, picking up or carrying the tool.** Carrying power tools with your finger on the switch or energising power tools that have the switch on invites accidents.
- **Remove any adjusting key or wrench before turning the power tool on.** A wrench or a key left attached to a rotating part of the power tool may result in personal injury.
- **Do not overreach. Keep proper footing and balance at all times.** This enables better control of the power tool in unexpected situations.
- **Dress properly. Do not wear loose clothing or jewellery. Keep your hair, clothing and gloves away from moving parts.** Loose clothes, jewellery or long hair can be caught in moving parts.
- **If devices are provided for the connection of dust extraction and collection facilities, ensure these are connected and properly used.** Use of dust collection can reduce dust-related hazards.
- **Do not let familiarity gained from frequent use of tools allow you to become complacent and ignore tool safety principles.** A careless action can cause severe injury within a fraction of a second.

### 3.4 Power tool use and care

- **Do not force the power tool. Use the correct power tool for your application.** The correct power tool will do the job better and safer at the rate for which it was designed.
- **Do not use the power tool if the switch does not turn it on and off.** Any power tool that cannot be controlled with the switch is dangerous and must be repaired.
- **Disconnect the plug from the power source and/or remove the battery pack, if detachable, from the power tool before making any adjustments, changing accessories, or storing power tools.** Such preventive safety measures reduce the risk of starting the power tool accidentally.
- **Store idle power tools out of the reach of children and do not allow persons unfamiliar with the power tool or these instructions to operate the power tool.** Power tools are dangerous in the hands of untrained users.
- **Maintain power tools and accessories. Check for misalignment or binding of moving parts, breakage of parts and any other condition that may affect the power tool's operation. If damaged, have the power tool repaired before use.** Many accidents are caused by poorly maintained power tools.
- **Keep cutting tools sharp and clean.** Properly maintained cutting tools with sharp cutting edges are less likely to bind and are easier to control.
- **Use the power tool, accessories and tool bits etc. in accordance with these instructions, taking into account the working conditions and the work to be performed.** Use of the power tool for operations different from those intended could result in a hazardous situation.
- **Keep handles and grasping surfaces dry, clean and free from oil and grease.** Slippery handles and grasping surfaces do not allow for safe handling and control of the tool in unexpected situations.

### 3.5 Battery tool use and care

- **Recharge only with the charger specified by the manufacturer.** A charger that is suitable for one type of battery pack may create a risk of fire when used with another battery pack.

- **Use power tools only with specifically designated battery packs.** Use of any other battery packs may create a risk of injury and fire.
- **When battery pack is not in use, keep it away from other metal objects, like paper clips, coins, keys, nails, screws or other small metal objects, that can make a connection from one terminal to another.** Shorting the battery terminals together may cause burns or a fire.
- **Under abusive conditions, liquid may be ejected from the battery; avoid contact. If contact accidentally occurs, flush with water. If liquid contacts eyes, additionally seek medical help.** Liquid ejected from the battery may cause irritation or burns.
- **Do not use a battery pack or tool that is damaged or modified.** Damaged or modified batteries may exhibit unpredictable behaviour resulting in fire, explosion or risk of injury.
- **Do not expose a battery pack or tool to fire or excessive temperature.** Exposure to fire or temperature above 265°F may cause explosion.
- **Follow all charging instructions and do not charge the battery pack or tool outside the temperature range specified in the instructions.** Charging improperly or at temperatures outside the specified range may damage the battery and increase the risk of fire.

### 3.6 Service

- **Have your power tool serviced by a qualified repair person using only identical replacement parts.** This will ensure that the safety of the power tool is maintained.
- **Never service damaged battery packs.** Service of battery packs should only be performed by the manufacturer or authorized service providers.

## 4 Circular Saw Safety Warnings

### Cutting procedures

- **DANGER: Keep hands away from cutting area and the blade. Keep your second hand on auxiliary handle, or motor housing.** If both hands are holding the saw, they cannot be cut by the blade.
- **Do not reach underneath the workpiece.** The guard cannot protect you from the blade below the workpiece.
- **Adjust the cutting depth to the thickness of the workpiece.** Less than a full tooth of the blade teeth should be visible below the workpiece.
- **Never hold the workpiece in your hands or across your leg while cutting. Secure the workpiece to a stable platform.** It is important to support the work properly to minimize body exposure, blade binding, or loss of control.
- **Hold the power tool by insulated gripping surfaces, when performing an operation where the cutting tool may contact hidden wiring.** Contact with a "live" wire will also make exposed metal parts of the power tool "live" and could give the operator an electric shock.
- **When ripping, always use a rip fence or straight edge guide.** This improves the accuracy of cut and reduces the chance of blade binding.

- **Always use blades with correct size and shape (diamond versus round) of arbour holes.** Blades that do not match the mounting hardware of the saw will run off-centre, causing loss of control.
- **Never use damaged or incorrect blade washers or bolt.** The blade washers and bolt were specially designed for your saw, for optimum performance and safety of operation.

### **Kickback causes and related warnings**

- Kickback is a sudden reaction to a pinched, jammed or misaligned saw blade, causing an uncontrolled saw to lift up and out of the workpiece toward the operator;
- When the blade is pinched or jammed tightly by the kerf closing down, the blade stalls and the motor reaction drives the unit rapidly back toward the operator;
- If the blade becomes twisted or misaligned in the cut, the teeth at the back edge of the blade can dig into the top surface of the wood causing the blade to climb out of the kerf and jump back toward the operator.

Kickback is the result of saw misuse and/or incorrect operating procedures or conditions and can be avoided by taking proper precautions as given below.

- **Maintain a firm grip with both hands on the saw and position your arms to resist kickback forces. Position your body to either side of the blade, but not in line with the blade.** Kickback could cause the saw to jump backwards, but kickback forces can be controlled by the operator, if proper precautions are taken.
- **When blade is binding, or when interrupting a cut for any reason, release the trigger and hold the saw motionless in the material until the blade comes to a complete stop. Never attempt to remove the saw from the work or pull the saw backward while the blade is in motion or kickback may occur.** Investigate and take corrective actions to eliminate the cause of blade binding.
- **When restarting a saw in the workpiece, centre the saw blade in the kerf so that the saw teeth are not engaged into the material.** If a saw blade binds, it may walk up or kickback from the workpiece as the saw is restarted.
- **Support large panels to minimise the risk of blade pinching and kickback.** Large panels tend to sag under their own weight. Supports must be placed under the panel on both sides, near the line of cut and near the edge of the panel.
- **Do not use dull or damaged blades.** Unsharpened or improperly set blades produce narrow kerf causing excessive friction, blade binding and kickback.
- **Blade depth and bevel adjusting locking levers must be tight and secure before making the cut.** If blade adjustment shifts while cutting, it may cause binding and kickback.
- **Use extra caution when sawing into existing walls or other blind areas.** The protruding blade may cut objects that can cause kickback.

### **Lower guard function**

- **Check the lower guard for proper closing before each use. Do not operate the saw if the lower guard does not move freely and close instantly. Never clamp or tie the lower guard into the open position.** If the saw is accidentally dropped, the lower guard may be bent. Raise the lower guard with the pre-feed lever and make sure it moves freely and does not touch the blade or any other part, in all angles and depths of cut.



- **Check the operation of the lower guard spring. If the guard and the spring are not operating properly, they must be serviced before use.** Lower guard may operate sluggishly due to damaged parts, gummy deposits, or a build-up of debris.
- **The lower guard may be retracted manually only for special cuts such as "plunge cuts" and "compound cuts". Raise the lower guard by pre-feed lever and as soon as the blade enters the material, the lower guard must be released.** For all other sawing, the lower guard should operate automatically.
- **Always observe that the lower guard is covering the blade before placing the saw down on bench or floor.** An unprotected, coasting blade will cause the saw to walk backwards, cutting whatever is in its path. Be aware of the time it takes for the blade to stop after switch is released.

### **Riving knife function**

- **Use the appropriate saw blade for the riving knife.** For the riving knife to function, the body of the blade must be thinner than the riving knife and the cutting width of the blade must be wider than the thickness of the riving knife.
- **Adjust the riving knife as described in this instruction manual.** Incorrect spacing, positioning and alignment can make the riving knife ineffective in preventing kickback.
- **Always use the riving knife except when plunge cutting.** The riving knife must be replaced after plunge cutting. The riving knife causes interference during plunge cutting and can create kickback.
- **For the riving knife to work, it must be engaged in the workpiece.** The riving knife is ineffective in preventing kickback during short cuts.
- **Do not operate the saw if the riving knife is bent** Even a light interference can slow the closing rate of a guard.

## 5 Specific safety rules

### Safety devices

 <b>Danger</b>	
	<p><b>Risk of injury from missing safety devices</b></p> <p>These devices are necessary for the safe operation of the machine. They must not be removed or rendered ineffective.</p> <ul style="list-style-type: none"> <li>➤ Check the proper functioning of the safety devices before you start operating the machine.</li> <li>➤ Never use the machine with missing or ineffective safety devices.</li> </ul>

The machine is equipped with the following safety devices:

Safety device	Type of check
Upper fixed guard	Visual check for damage
Lower movable guard	Functional check (complete opening and jerk-free abrupt closing)
Large base plate	Visual check for damage and deformation
Handles	Visual check for damage
Riving knife/splitter	Visual check for damage and deformation Functional check of spring tension
Motor brake	Functional check (braking time must not be longer than 2 seconds)
Hose connector	Visual check for damage and obstruction

If the safety devices are damaged or not functioning properly, follow the instructions in the chapter Troubleshooting. For other malfunctions, please contact your dealer or MAFELL Customer Service directly.



#### Work area

- Children and adolescents are not allowed to operate this machine.
- The sound pressure level at the ear exceeds 85 dB (A). Therefore, wear hearing protection when working
- Wear protective goggles.
- Wear a dust mask.

**Instructions for service and maintenance:**

- Cleaning the machine regularly, especially the adjustment elements and the guiding devices, is an important safety factor.
- Ensure that only genuine MAFELL spare parts and accessories are used. Failure to do so will make warranty claims and the liability of the manufacturer null and void.
- Risk of injury when changing the saw blade! Wear protective gloves when changing the saw blade and proceed with caution. You may be injured if you touch the sharp teeth of the saw blade.
- **Prepare a periodic maintenance schedule for your machine. When you clean the machine, be careful not to disassemble any part of the machine. Reassembling the machine bears the risk that internal wires are routed incorrectly or pinched, or that return springs of the safety device are mounted incorrectly.** Certain cleaning agents, such as gasoline, carbon tetrachloride, ammonia, etc. can damage plastic parts.

## 6 Residual risks

 <b>Warning</b>	
	<p><b>Risk of injury when working with the machine</b></p> <p>Even when the machine is used as intended and in compliance with the safety regulations, there are still residual risks caused by the intended use, which can have consequences for your health.</p> <ul style="list-style-type: none"> <li>➤ Observe the safety instructions and information in these instructions.</li> <li>➤ Always be extremely careful and cautious when you work with the machine.</li> </ul>

The existing residual risks include:

- Contact with the saw blade in the area of the start-up opening below the base plate.
- Contact with the part of the saw blade that protrudes below the workpiece during the cutting process.
- Contact with rotating parts from the side: Saw blade, clamping flange and flange bolt.
- Kickback of the machine when jammed in the workpiece.
- Breakage and ejection of the saw blade or parts of the saw blade.
- Impaired hearing when working without hearing protection for long periods of time.
- Emission of harmful wood dusts during longer operation without extraction.
- **Some of the dust produced by sawing, sanding, drilling and other building work contains chemicals known to cause cancer, birth defects or other reproductive harm. Some examples of these chemicals are:**
  - Lead from lead-based paints,
  - Crystalline silica from bricks and cement and other masonry products,
  - Arsenic and chromium from chemically treated wood.

Your risk from this hazard varies with the frequency at which you perform this type of work. To reduce your exposure to these chemicals: Work in a well-ventilated area. Work only with approved safety equipment, such as dust masks that are specially designed to filter out particles of microscopic size.

## 7 Setup / adjustment

### 7.1 Charging the rechargeable battery

Rechargeable battery and charger are matched to each other. Use only the MAFELL chargers for charging.

First, charge the rechargeable battery when you use a new machine.



The charging process is described in the "Charger APS M" instructions supplied.

A significantly shortened operating time after charging indicates that the rechargeable battery is exhausted and needs to be replaced.

The rechargeable battery is equipped with a temperature monitor. This ensures that the rechargeable battery is only charged in the optimal temperature range between 0 °C (32 °F) and 50 °C (122 °F). This ensures a long battery life.

### Warning



#### **Risk of fire and explosion due to overheating or moisture**

High temperatures and moisture can cause short-circuits in the rechargeable battery. There is a risk of fire and explosion.

- Protect the rechargeable battery from heat, fire and moisture.
- Do not expose the rechargeable battery to temperatures above 50 °C (122 °F).
- Store the rechargeable battery at a temperature between 10 °C (50 °F) and 30 °C (86 °F).
- Allow the rechargeable battery to cool down before you start charging it.

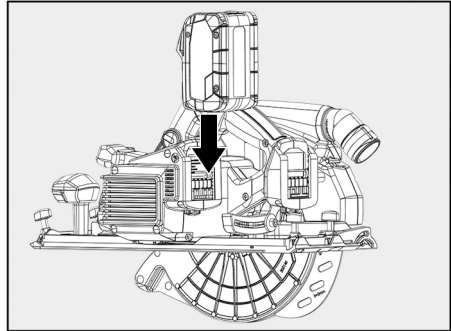
### 7.2 Inserting the rechargeable battery

Prior to inserting the battery, check to ensure that the rated voltage of the rechargeable battery matches the specification on the machine.

**CAUTION:** Danger of explosion if battery is incorrectly replaced. Replace only with the same or equivalent type.

**Use the following procedure to insert the rechargeable battery into the machine:**

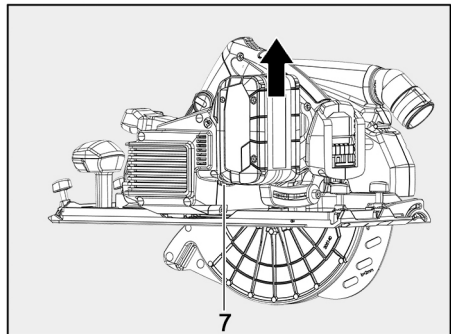
1. Insert the charged rechargeable battery into the battery guide until you feel that it locks into place.
2. Check to ensure that the battery is firmly seated in the machine.
  - ✓ The rechargeable battery is inserted in the machine.

*Fig. 3: Inserting the rechargeable battery into the machine*

Both batteries can be inserted in the same way.

**7.3 Removing the rechargeable battery****Use the following procedure to remove the rechargeable battery:**

1. Press and hold the lever (7) of the battery lock.
2. Pull the rechargeable battery out of the guide.
  - ✓ The rechargeable battery is removed.

*Fig. 4: Removing the rechargeable battery*

Both batteries can be removed in the same way.

## 7.4 Chip extraction

### **Caution**



#### **Health hazards from wood dust**

The dusts produced during work can be inhaled and can cause health damage.

- Harmful dust must be extracted with a HEPA 13 dust extractor.
- Wear a dust mask during work.

For all work that produces a significant amount of dust, connect the machine to a suitable external extraction device. The air velocity must be at least 20 m/s [65 ft/sec].

The inner diameter of the hose connector is 35 mm [1.4 in].

For short-time work that generates a small amount of dust, you can use the shavings bag provided as a self-suction device.

## 7.5 Saw blade selection

To achieve good cutting quality, use a sharp tool and select it according to the material and the intended application from the following list:

#### **Cutting softwood and hardwood across and along the grain direction:**

- Saw blade KSB-WU280 GT, carbide-tipped circular saw blade Ø 280 × 2.8 × 30 mm, 28 teeth [11.02 × 0.11 × 1.18 in]

#### **Cutting softwood and hardwood especially along the grain direction:**

- Saw blade KSB-WL280 GT, carbide-tipped circular saw blade Ø 280 × 2.8 × 30 mm, 15 teeth [11.02 × 0.11 × 1.18 in]

#### **Cutting softwood and hardwood especially across the grain direction:**

- Saw blade KSB-WF280 GT, carbide-tipped circular saw blade Ø 280 × 2.8 × 30 mm, 56 teeth [11.02 × 0.11 × 1.18 in]

#### **Cutting wood fiber insulation material:**

- Saw blade KSB-WF280 GT, carbide-tipped circular saw blade Ø 280 × 2.8 × 30 mm, 56 teeth [11.02 × 0.11 × 1.18 in]

#### **Cutting plastic material (styrofoam):**

- Saw blade KSB-WU280 GT, carbide-tipped circular saw blade Ø 280 × 2.8 × 30 mm, 28 teeth [11.02 × 0.11 × 1.18 in]

#### **Cutting sandwich panels with polyurethane or polyisocyanurate (PUR/PIR) foam cores:**

- Saw blade KSB-SP280, carbide-tipped circular saw blade Ø 280 × 2.6 × 30 mm, 52 teeth [11.02 × 0.1 × 1.18 in]

## 7.6 Changing the saw blade

### Caution



#### Risk of injury from the sharp saw blade

The saw blade is sharp. You can hurt yourself when you change the saw blade.

- Wear protective gloves when you change the saw blade.
- Be careful when you change the saw blade.

#### Use the following procedure to change the saw blade:

1. Pull the rechargeable battery out of the machine.
2. Put the machine on a flat surface.
3. Press and hold the pushbutton (3).
4. Pull the locking lever (8) upwards.
  - The operating lever is locked. The mechanism that locks the saw shaft is activated.
5. To move the movable guard to the maximum open position, either use the pre-feed lever (12) or do it manually.
  - To remove the saw blade, the blade guard is locked in the open position.

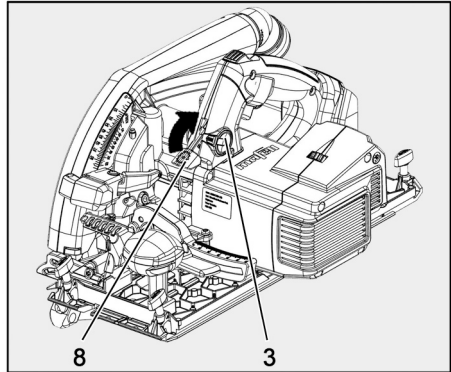


Fig. 5: Locking the saw shaft

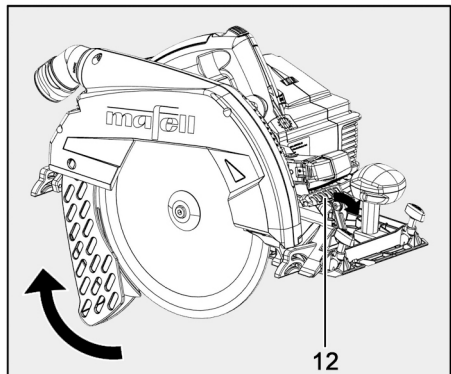


Fig. 6: Opening the guard

6. Turn the disconnected machine onto the motor unit. The saw blade points upward.
7. Insert the Allen key (B) into the flange screw (13) and turn it **counterclockwise** until the saw shaft engages in the locking device.
  - The saw blade is retained in position and the flange screw can be released.
8. Loosen the flange screw 13 by turning it **counterclockwise** with the Allen key (B).
9. Remove the flange screw (13) and the front clamping flange (14).
10. Remove the old saw blade.
  - Clamping flanges must be free of adhering parts!
  - The new saw blade can now be installed.
11. Position the new saw blade (15) on the rear flange (17).
  - Ensure that the direction of rotation is correct when you install the saw blade. The saw teeth or the arrow on the saw blade (15) must point in the direction of the arrow (16) on the machine.
12. Fit clamping flange (14) and flange screw (13).
13. Tighten the flange screw 13 by turning it **clockwise** with the Allen key B.
  - The saw blade is secured.

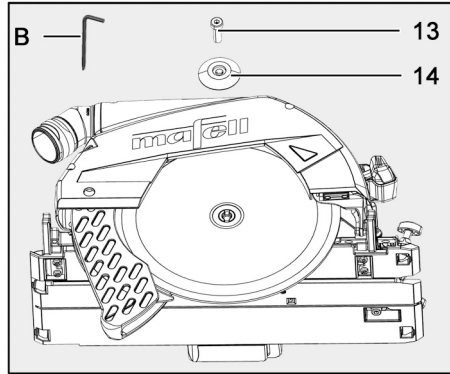


Fig. 7: Removing the old saw blade

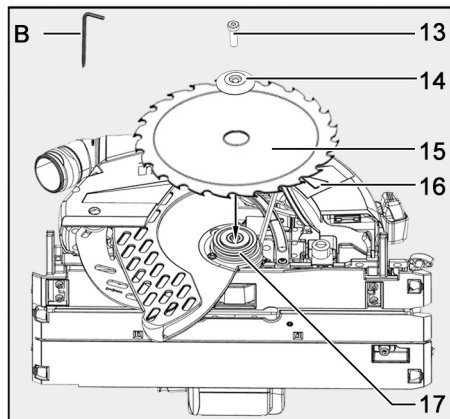


Fig. 8: Replacing the saw blade

14. Close the movable guard.
15. Press the locking lever 3 downward to close the movable blade guard.
  - The mechanism that locks the saw shaft is activated.
  - The operating lever is unlocked.
  - ✓ The saw blade is changed.

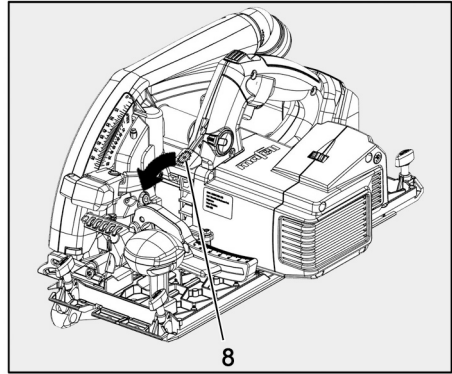


Fig. 9: Unlocking the operating lever

### 7.7 Riving knife

The riving knife prevents the saw blade from jamming during rip cutting. The riving knife swings upwards as the machine plunges into the workpiece. The riving knife returns to its normal position as soon as the gap behind the saw blade is cleared in the forward movement of the machine.

The correct distance to the saw blade is shown in the figure.

#### Use the following procedure to adjust the distance of the riving knife:

1. Pull the rechargeable battery out of the machine.
2. To make adjustments, loosen the screw (18) by turning it **counterclockwise** using the Allen key (B).
3. Move the riving knife along its longitudinal slot to adjust it.
  - Do not exceed the maximum distance to the saw blade (see Fig.. 10).
4. Then re-tighten screw (18) by turning it **clockwise** with the Allen key (B).
  - ✓ The riving knife distance is set.

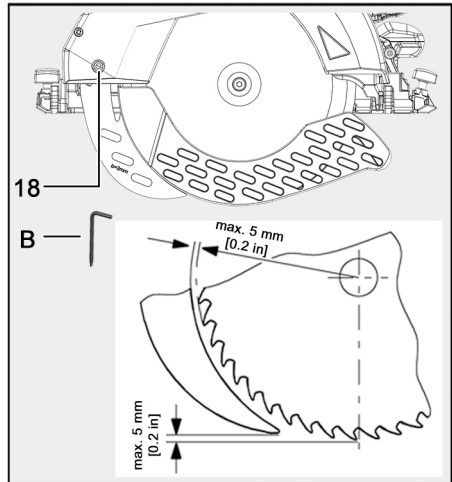


Fig. 10: Distance riving knife to saw blade



The spring-loaded riving knife (flip wedge) eliminates the need to remove and install the riving knife for plunge cuts.

## 8 Operation

### 8.1 Startup

#### Warning

These operating instructions must be brought to the attention of all persons entrusted with the operation of the machine, with particular emphasis on the chapter "Safety instructions".

### 8.2 Switching on

**Use the following procedure to switch on the machine:**

1. Press the switch lock (4) forward to unlock.
2. With the switch-on lock depressed, actuate and hold the operating lever (5).
3. Release the switch-on lock (4).
  - ✓ The machine is switched on

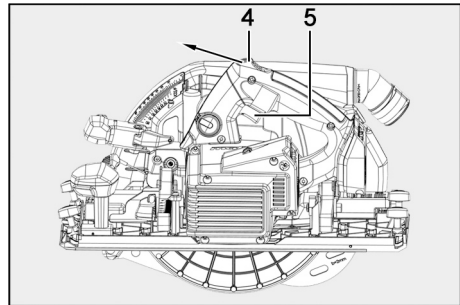


Fig. 11: Switching the machine on



Since the switch is not latching, the machine runs only as long as the operating lever is pressed. Due to the motor concept used here, the machine stops very quickly when it is switched off. (Motor brake)

### 8.3 Light

To illuminate a large section of the work area, the machine is equipped with a light module.

The light module is switched on when the machine is switched on.

The light module is switched off automatically when the machine is stopped for some time.

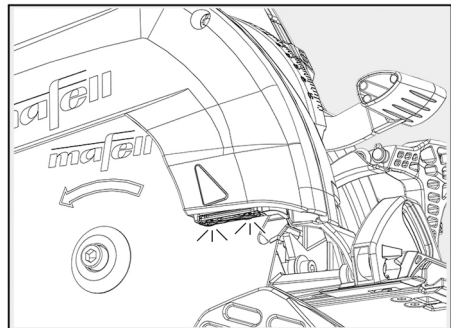


Fig. 12: Light module on machine

#### 8.4 Rotational speed setting

Use the following procedure to select the rotational speed:

1. Select the desired level at the setting wheel (9).
  - Use the setting wheel (9) to adjust the saw blade speed between 2800 and 5200 rpm.
  - ✓ The rotational speed is set.

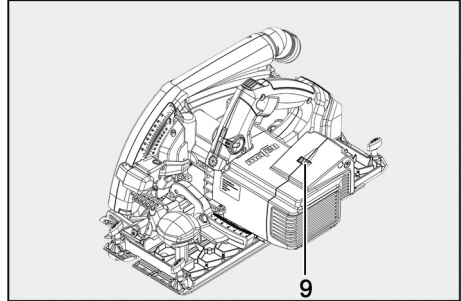


Fig. 13: Selecting the rotational speed at the setting wheel



By using an appropriate speed you prevent overheating of the saw teeth and extend the service life of the saw blades.

The table below shows the saw blade speed settings that are suitable for your application and material:

Material	Step	Rotational speed rpm
Plastic material (styrofoam)	1	2800
Plastic material (styrofoam)	2	3250
Wood fiber insulation material	3	3700
Hardwood, softwood, laminated wood, coated panel material, sandwich panels	4	4100
Hardwood, softwood, laminated wood, coated panel material	5	4750
Hardwood, softwood, laminated wood, coated panel material, soft fiber	6	5200



The instructions for cutting wood can also be used for cutting structural plastic materials. When cutting plastic materials, always make a test cut to determine whether the saw will cause the material to melt. If required, adapt the cutting speed and/or the feed rate and/or the saw blade to minimise/avoid melting.

## 8.5 Switching off

Use the following procedure to switch off the machine:

1. Release the operating lever 5.
  - The integrated automatic brake limits the coasting time of the saw blade to approx. 2 seconds.
  - The switch-on lock is activated automatically and secures the hand-held circular saw against being switched on inadvertently.
  - ✓ The machine is switched off.

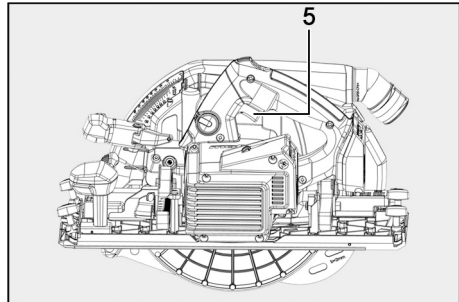


Fig. 14: Switching the machine off

## 8.6 Cutting depth setting

The cutting depth can be set continuously in a range between 0 and 88 mm [0 to 3.46 in].

Use the following procedure to set the cutting depth:

1. Press and hold the pushbutton 19.
2. Use the plunge lever (1) to set the cutting depth.
  - The cutting depth is indicated on the scale (2) on the cover. The area with a red background of the plunge lever (1) serves as pointer.
3. Release the pushbutton 19.
  - ✓ The cutting depth is set.

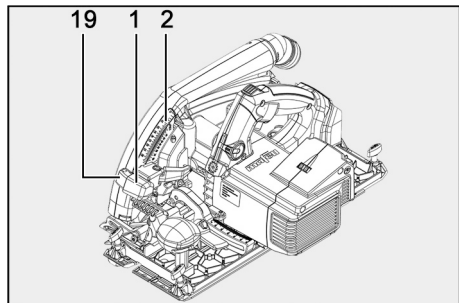


Fig. 15: Setting the cutting depth



For separating cuts, always set the cutting depth to approx. 2 ... 5 mm [0.08 ... 0.2 in] more than the material thickness you want to cut.

### 8.7 Setting for bevel cuts

For bevel cuts, the saw unit can be set to any angle from 0° to 60°.

#### Use the following procedure to set the saw unit for bevel cuts:

1. For tilting, put down and support the machine so that the saw unit can be tilted.
2. Release the lever (11).
3. Use the scale (10) on the tilting segment to set the angle.
4. Tighten the lever (10).
  - ✓ The saw unit is set to the desired angle for the bevel cut.

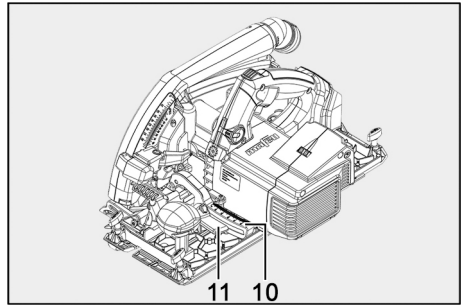


Fig. 16: Setting the saw unit for bevel cuts

### 8.8 Plunge cuts

#### Warning



#### Risk of kickback with plunge cuts!

With plunge cuts, there is a risk of kickback when the machine jams. This can cause serious injuries.

- Prior to plunging, position the machine such that the rear edge of the base plate is in contact with a stop that is fixed to the workpiece.
- While plunging in, hold the machine firmly by the handle and push the machine slightly forward!

#### Use the following procedure to perform plunge cuts:

1. Press and hold the pushbutton 19.
2. Using the plunge lever (1), set the machine to the highest position.
3. Using the pre-feed lever (12), open the movable guard completely so that the machine can be positioned on the workpiece you want to work on.
  - Saw blade and riving knife are now free above the material.
4. Align the machine on the workpiece for the plunge cut.
5. Switch on the machine and press down the plunge lever (1).

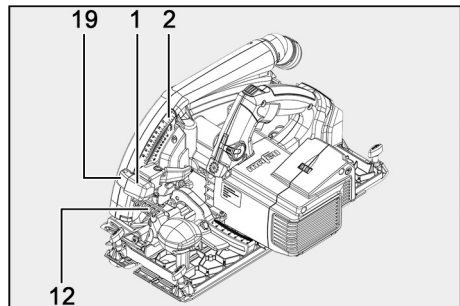


Fig. 17: Plunge cutting

- The saw blade now plunges vertically into the workpiece. The plunge depth is indicated on the scale (2). The riving knife swings upward out of the way when the blade enters the workpiece. The riving knife returns to its normal position as soon as the gap behind the saw blade is cleared in the forward movement of the machine.
  - The spring-loaded riving knife (flip wedge) eliminates the need to remove and install the riving knife for plunge cuts.
6. Stop the feed when the end of the plunge cut is reached.
  7. Switch off the machine.
  8. Using the plunge lever (1), pull the saw blade out of the kerf.
    - ✓ The plunge cut is performed.



You can preset the plunge depth for repetitive plunge cuts with the same depth.

**Use the following procedure to preset the plunge depth:**

1. Using the plunge lever (1), set the machine to the desired plunge depth.
  2. Use the Allen key (B) to open the clamping screw (20).
    - The stop bar (21) drops down to the stop.
  3. Tighten the clamping screw (20).
    - You can make several plunge cuts with the same depth.
    - After you have finished with the plunge cuts with the same depth, set the stop bar back to the upper position to achieve the full plunge depth.
- ✓ The plunge depth is preset.

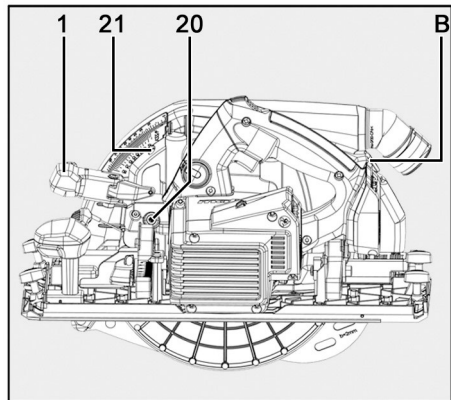


Fig. 18: Presetting the plunge depth

**Use the following procedure to revert to the full plunge depth:**

1. Use the Allen key (B) to open the clamping screw (20).
2. Set the machine to maximum cutting depth. To do this, move the plunge lever (1) down until it hits the stop.
  - The stop bar (21) moves to the topmost position.
3. Tighten the clamping screw (20).
  - ✓ The full plunge depth is possible again.

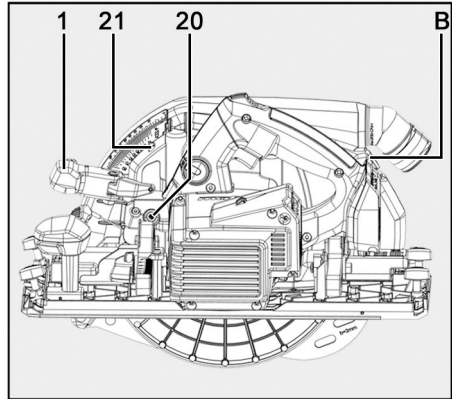


Fig. 19: Resetting the cutting depth

### 8.9 Sawing along markings

The base plate is equipped with a movable tracing pointer, which automatically adjusts itself during bevel cuts. This tracing edge (22) corresponds to the inside (side facing the motor) of the saw blade. For bevel cuts, the marking can be seen through the opening on the inside of the upper guard (left in cutting direction).

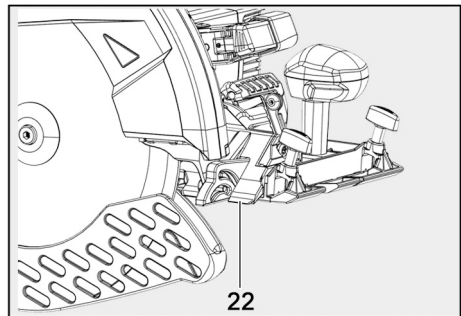


Fig. 20: Tracing edge

**Use the following procedure to saw along markings:**

1. Hold the machine by the handles and position it such that the front part of the base plate is on the workpiece.
2. Position the tracing edge (22) at the marking on the workpiece.
3. Switch on the machine.
4. Ensure that the tracing edge (22) and the front edge of the saw blade are guided along the marking.
5. Push the machine steadily forward in the cutting direction.
6. Switch off the machine at the end of the cut.
  - ✓ Sawing along markings terminated.

### 8.10 Sawing with the parallel guide fence

The parallel guide fence (C) is used for sawing in parallel to an existing edge. The guide fence can be mounted on the right (motor side) or the left (tool side) side of the machine. The possible adjustable distance is 195 to 405 mm [7.68 - 15.94 in] on the right side and 47 to 200 mm [1.85 - 7.87 in] on the left side. In the range of 195 to 260 mm [7.68 - 10.24 in] on the motor side, the machine must be moved upwards by approx. 10 mm [0.4 in] so that the guide fence can be inserted underneath the motor housing.

The selected width is shown at the scales on the guide bars. The edges with the red markings on the base plates are used as pointers.

## ⚠ Warning



### Risk of injury from defective guard

There is a risk that the parallel guide fence interferes with the operation of the lower guard if it is used below the minimum dimensions. It is possible that the saw blade is then freely accessible.

- Use the parallel guide only inside the permissible cutting ranges. To ensure this, take note of the scales on the guide bars.

### Use the following procedure to install the parallel guide fence:

1. Loosen the wing screws (6) on both sides.
2. Insert the parallel guide fence (C) into the guide provided for this purpose.
  - It can be mounted on the left or right side of the machine.
3. Tighten the wing screws (6) on both sides.
  - ✓ The parallel guide fence is installed.

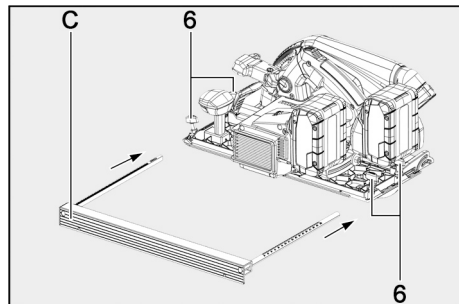


Fig. 21: Installing the parallel guide fence

### Use the following procedure to adjust the cutting width:

1. Loosen the wing screws (6) on both sides.
2. Adjust the parallel guide fence.
3. Tighten the wing screws (6) on both sides.
  - ✓ The cutting width is adjusted.

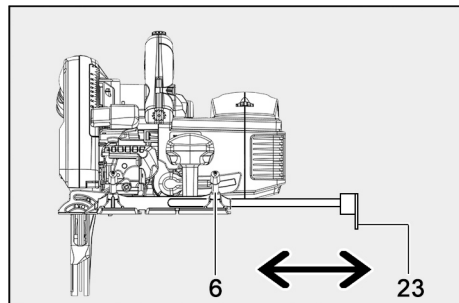


Fig. 22: Adjusting the cutting width via the parallel guide fence



In addition, the parallel guide can also be used as a double support for a better guidance of the hand-held circular saw. Simply turn it over (the guide tab (23) points upwards).

Alternatively, you can guide the machine with the parallel guide fence along a guide rail or a wooden ledge fixed on the workpiece. This requires the parallel guide fence to be rotated so that the guide tab (23) points upwards.

### 8.11 Working with special accessories

Various special accessories are available for the machine. An overview can be found in chapter 11 Optional accessories.

Some utilization methods are explained below.

#### 8.11.1 Working with the roller edge guide

The roller edge guide (I) is used for sawing in parallel to an existing edge. The guide fence can be mounted on the right (motor side) or the left (tool side) side of the machine. The possible adjustable distance is 40 to 280 mm [1.57 - 11.02 in] on the right side and 12 to 48 mm [0.47 - 1.89 in] on the left side.

The selected width is shown at the scales on the guide bars. The edges with the red markings on the base plates are used as pointers.

### Warning



#### Risk of injury from defective guard

There is a risk that the roller edge guide interferes with the operation of the lower guard if it is used below the minimum dimensions. It is possible that the saw blade is then freely accessible.

- Use the roller edge guide only in the permissible cutting ranges. To ensure this, take note of the scales on the guide bars.

#### Use the following procedure to install the roller edge guide:

1. Loosen the wing screws (6) on both sides.
2. Insert the roller edge guide (H) into the guide provided for this purpose.
  - It can be mounted on the left or right side of the machine.
3. Tighten the wing screws (6) on both sides.
  - ✓ The roller edge guide is installed.

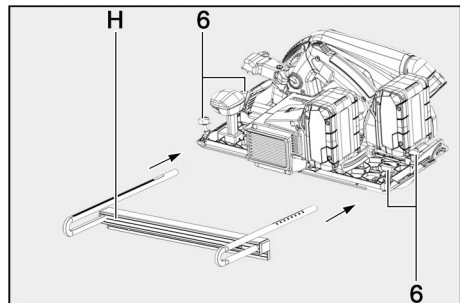


Fig. 23: Installing the roller edge guide

**Use the following procedure to adjust the cutting width:**

1. Loosen the wing screws (6) on both sides.
2. Adjust the roller edge guide.
3. Tighten the wing screws (6) on both sides.
  - ✓ The cutting width is adjusted.

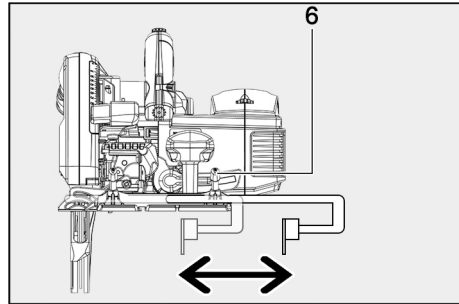


Fig. 24: Adjusting the cutting width via the roller edge guide

**8.11.2 Working with the guiding device**



The description for the guiding device can be found in the enclosed instructions "Guiding device L/M/ML/S".

**8.12 Sawing of sandwich panels**

**⚠ Warning**



**Risk of injury from defective guard**

Sandwich panel chips consisting of steel/metal chips and plastic foam dust increase the risk of deposits forming in critical areas of the machine.

- Clean the machine thoroughly after such work and check the proper functioning of the safety devices, e.g. the closing of the bottom movable blade guard.

Sandwich panels must be processed using a saw blade with appropriate capacity 7.5.

The machine can process sandwich panels for interior and exterior walls, ceilings, and roofs with a thickness of up to 100 mm [3.94 in], featuring steel or aluminum face sheets with a thickness of 0.4–0.8 mm [0.02–0.03 in] and a core of polyurethane or polyisocyanurate foam.

The following profile shapes can be cut: Straight, micro corrugated, fine corrugated, ribbed, micro ribbed, smooth, trapezoidal.

**9 Service and maintenance**

MAFELL machines are of a low-maintenance design.

The installed ball bearings are lubricated for life. After a longer period of operation, MAFELL recommends that the machine be handed over to an authorized MAFELL service workshop for inspection.

**9.1 Storage**

Clean the machine thoroughly if you will not use it for quite some time. Spray bare metal parts with a rust inhibitor.

## 9.2 Transport

When you ship the rechargeable batteries, ensure that certain special requirements are satisfied with regard to packaging and labeling. The contained Li-ion batteries are subject to the requirements of the regulations for hazardous materials.

Ship rechargeable batteries only when their housings are undamaged.

Prior to shipping, stick non-conductive tape (e.g. insulating tape) across the battery terminals and pack the batteries such that they cannot move inside the packaging.

Please ensure that you observe any further national regulations too.



## 9.3 Disposal of a rechargeable battery

Never dispose of rechargeable batteries in the domestic waste! Defective or exhausted rechargeable batteries must be collected separately and recycled in an environmentally friendly manner.

Drop off rechargeable batteries at certified battery electronics recyclers.

Prior to drop-off, stick non-conductive tape (e.g. insulating tape) across the battery terminals and/or place rechargeable batteries in separate plastic bags. Even a used battery can have enough energy to cause injuries or to light a fire.

## 10 Troubleshooting

 <b>Warning</b>	
	<p><b>Risk of injury from a sudden start of the machine.</b></p> <p>There is a risk that the machine starts suddenly due to carelessness when working with the machine or during troubleshooting. The rotating saw blade can cause serious injuries.</p> <ul style="list-style-type: none"> <li>➤ Determining the causes of existing malfunctions and their elimination always require increased attention and caution!</li> <li>➤ Pull out the mains plug before you start troubleshooting!</li> </ul>

Some of the most common malfunctions and their causes are listed below. For other malfunctions, please contact your dealer or MAFELL Customer Service directly.

Malfunction	Cause	Remedial action
The machine can not be switched on.	No rechargeable battery inserted	Insert a rechargeable battery
	Rechargeable battery dead	Charge the rechargeable battery
	Rechargeable battery not engaged in the end position	Ensure that the rechargeable battery is engaged

Malfunction	Cause	Remedial action
The performance of the machine is dropping.	Rechargeable battery almost discharged, an LED on the battery is blinking.	Charge the rechargeable battery if only one LED shines.
Overload, the machine is switched off.	A long-lasting overload situation caused the machine or the rechargeable battery to overheat. A warning signal sounds (beep tone). As long as the machine or the rechargeable battery have not cooled down, every further attempt to switch on the machine will result in another beep tone.	Allow machine and rechargeable battery to cool down. The rechargeable battery cools down quicker in a charger with air cooling. Operating the machine with a different battery while idling will also allow it to cool down more quickly.
The machine switches off upon a sudden load increase.	The sudden increase in load also causes the current that is required for the machine to rise. A warning signal sounds (beep tone). This increase, which occurs in the event of sudden blockage or a kickback, is measured and causes a shutdown.	Release the switching button to switch off the machine. Afterwards, you can switch the machine back on and continue working. Try to avoid further blockage.
The machine switches off during operation	Electrostatic charge. The electronic system's protective function is activated and the machine goes into a safe state. The machine switches off.	Use an anti-static suction hose
Saw blade jams when pushing the machine forward.	Feed rate too high	Reduce feed rate
	Blunt saw blade	Release switch at once. Remove the machine from the workpiece and replace the saw blade
	Tension in the workpiece	Increased caution when sawing, higher risk of kickback. Widen the kerf with a wedge
	Poor machine guidance (for example by freehand guiding)	Use parallel guide fence
	Uneven workpiece surface	Align surface
Saw blade vibrates in the workpiece	Saw blade not adjusted correctly	Retighten saw blade
	Workpiece not secured	Secure workpiece with clamps

Malfunction	Cause	Remedial action
Saw blade stops - motor continues rotating	Saw blade not properly secured	Retighten saw blade
Kerf shows burn marks	Saw blade blunt or unsuitable for the operation	Replace saw blade
Chip ejector obstructed	Wood too damp	Clean chip ejector Use dry wood
	Long cutting operation without extraction	Connect the machine to an external extractor, such as a small dust extractor
Lower movable guard does not close or closes only slowly	Chips and wooden fragments in the lower movable guard	Remove chips and wooden fragments
Plastic melts during sawing	Blunt or incorrect saw blade, or cutting speed and/or feed rate too high	Replace saw blade Adapt cutting speed and / or feed rate
Saw tooth tips overheated	Blunt or incorrect saw blade, or cutting speed and/or feed rate too high	Replace saw blade Adapt cutting speed and / or feed rate

## 11 Optional accessories

- Battery PowerTank 18 M 72 LiHD Order no. 094500
- Battery PowerTank 18 M 72 LiHDX Order no. 094523
- Battery PowerTank 18 M 99 LiHD Order no. 094503
- Battery PowerTank 18 M 144 LiHD Order no. 094498
- Battery PowerTank 18 M 144 LiHDX Order no. 094520
- Charger APS M 120 V Order no. 095220

Further information on optional accessories can be found on our homepage: [www.mafell.com](http://www.mafell.com)

## 12 Exploded view and spare parts list

The corresponding information on the spare parts can be found on our homepage: [www.mafell.com](http://www.mafell.com)

**Sommaire**




1	Explication des pictogrammes.....	38
1.1	Identification de l'appareil.....	40
2	Données caractéristiques.....	40
2.1	Identification du constructeur.....	40
2.2	Caractéristiques techniques.....	41
2.3	Équipement standard.....	41
2.4	Éléments de commande.....	42
2.5	Utilisation conforme.....	43
2.6	Utilisation non conforme prévisible.....	43
3	Consignes générales de sécurité pour outils électriques.....	44
3.1	Poste de travail.....	44
3.2	Sécurité électrique.....	44
3.3	Sécurité de personnes.....	45
3.4	Manipulation et utilisation soignée d'outillage électrique.....	45
3.5	Utilisation et traitement d'outils sans fil.....	46
3.6	Service.....	46
4	Consignes de sécurité pour les scies circulaires.....	47
5	Consignes de sécurité spécifiques.....	50
6	Risques résiduels.....	52
7	Équipement / Réglage.....	53
7.1	Charger le bloc batterie.....	53
7.2	Insérer le bloc batterie.....	53
7.3	Retirer le bloc batterie.....	54
7.4	Aspiration des copeaux.....	55
7.5	Choix de la lame.....	55
7.6	Changement de lame.....	56
7.7	Couteau diviseur.....	58
8	Fonctionnement.....	59
8.1	Mise en service.....	59
8.2	Mise en marche.....	59
8.3	Éclairage.....	59
8.4	Réglage de la vitesse de rotation.....	60
8.5	Arrêt.....	61
8.6	Réglage de la profondeur de coupe.....	61
8.7	Réglage pour coupes biaisées.....	62
8.8	Coupes en plongée.....	62
8.9	Sciage d'après tracé.....	64
8.10	Sciage avec le guide parallèle.....	65

---

8.11	Travail avec des accessoires supplémentaires .....	66
8.12	Sciage de panneaux sandwich .....	67
9	Entretien et maintenance .....	67
9.1	Stockage .....	67
9.2	Transport .....	68
9.3	Élimination du bloc batterie .....	68
10	Élimination des défauts .....	68
11	Accessoires supplémentaires .....	70
12	Schéma éclaté et liste de pièces de rechange .....	70







## 1 Explication des pictogrammes

La présente notice d'emploi contient les pictogrammes d'information générale suivants, destinés à guider le lecteur et à lui fournir des informations importantes.

Pictogramme	Signification
	<b>Information importante</b> Ce symbole signale la présence de suggestions pour l'utilisation et autres informations utiles.
	Indique un résultat intermédiaire dans une suite d'actions.
	Indique le résultat final d'une suite d'actions.


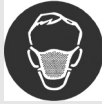


Tab. 5 : pictogrammes généraux et leur signification

Des mises en garde avertissent de la présence de zones dangereuses, risques et obstacles.

Pictogramme	Signification
	<b>Mise en garde</b> Ce pictogramme figure à chaque endroit indiquant des consignes relatives à votre sécurité. Leur non respect peut entraîner des blessures très graves.
	Met en garde contre les risques dus à une décharge électrique
	Met en garde contre les risques dus à la poussière.
	Met en garde contre des coupures.
	Met en garde contre le sectionnement de membres du corps.
	Met en garde contre le risque d'incendie et d'explosion.

Tab. 6: pictogrammes de mise en garde et leur signification




Les pictogrammes d'obligation servent à la prévention des accidents

Pictogramme	Signification
	Porter une protection oculaire.
	Porter un masque de protection contre les poussières.
	Porter une protection auditive.
	Porter des gants de protection.

Tab. 7: pictogrammes d'obligation et leur signification

Pendant l'exploitation de la machine, l'utilisateur doit toujours effectuer des actions pouvant constituer une source de risques. Ces actions présentant des risques sont précédées de mises en garde devant être impérativement respectées.






#### Classification des niveaux de danger (mots-clés) pour les mises en garde

Mise en garde	Signification et conséquences en cas de non-respect
 <b>Danger</b>	Danger <b>imminent</b> , entraînant de <b>graves blessures corporelles pouvant avoir une issue mortelle</b> .
 <b>Avertissement</b>	Situation <b>potentiellement</b> dangereuse, risquant d'entraîner de <b>graves blessures corporelles pouvant avoir une issue mortelle</b> .
 <b>Attention</b>	Situation <b>potentiellement</b> dangereuse, risquant d'entraîner de <b>légères blessures corporelles</b> .

Tab. 8: conception des mises en garde

## 1.1 Identification de l'appareil

Les pictogrammes ci-après indiqués et explicités peuvent se trouver sur la plaque de type ou le produit.

Pictogramme	Explication	Pictogramme	Explication
V	Volt	1, 2, 3, ... I, II, III, ...	Réglage de la vitesse de rotation
A	Ampère	min <sup>-1</sup>	Rotation par minute
Hz	Hertz	∅	Diamètre de la lame de scie
W	Watt	~	Courant alternatif
kg	Kilogramme (poids)		Classe de protection II
min	Minutes (temps)		Lire la notice d'emploi
s	Secondes (temps)		Lunettes de protection
n <sub>0</sub>	Régime nominal au ralenti		Protection auditive
n	Régime nominal en charge normale		Masque anti-poussière



Cordless Alliance System (=CAS) est un système sans fil commun à plusieurs fabricants. Vous trouverez de plus amples informations à ce sujet dans le site [www.cordless-alliance-system.com](http://www.cordless-alliance-system.com)

## 2 Données caractéristiques

pour la scie circulaire portative K 105-18 portant le n° d'art. 91D324

Le numéro d'article et le numéro de machine sont indiqués sur la plaque de type de la machine.



Vous pouvez consulter les listes de pièces de rechange, les vues éclatées et d'autres informations relatives à votre machine en entrant le numéro d'article et le numéro de machine sur le site internet de MAFELL (voir également le chapitre 12 Schéma éclaté et liste de pièces de rechange).

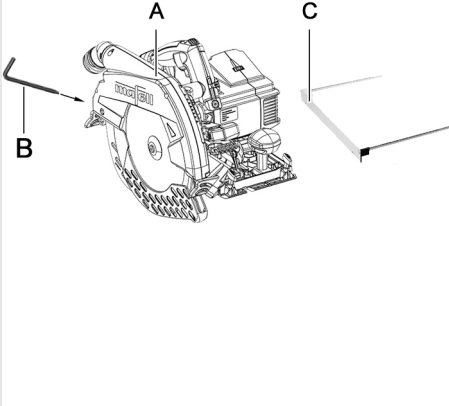
### 2.1 Identification du constructeur

MAFELL AG, Beffendorfer Strasse 4, D-78727 Oberndorf / Neckar, Téléphone +49 (0)7423/812-0, Fax +49 (0)7423/812- 218, e-mail [mafell@mafell.de](mailto:mafell@mafell.de), homepage [www.mafell.com](http://www.mafell.com)

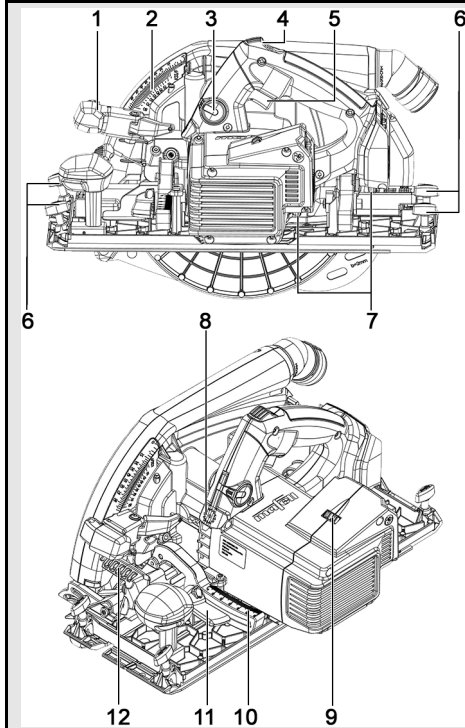
## 2.2 Caractéristiques techniques

Tension nominale	18 V, DC
Vitesse en marche à vide	2800 - 5200 tr/min
Profondeur de coupe 0°/30°/45°/60°	110/94/77/55 mm [4.33/3.70/3.03/2.17 in]
Groupe de sciage inclinable	0° – 60°
Diamètre de la lame de scie	280 mm [11.02 in]
Épaisseur du corps de base de la lame de scie	1,8 mm [0,04 in]
Largeur de coupe de l'outil	2,8 mm [0,08 in]
Alésage de fixation de la lame	30 mm [1,2 in]
Diamètre du manchon d'aspiration	35 mm [1,4 in]
Poids avec batterie (sans guide parallèle)	9.3 kg [20.50 lbs]
Dimensions (largeur x longueur x hauteur)	297 x 450 x 327 mm [11.69 x 17.72 x 12,87 in]

## 2.3 Équipement standard

	<table border="1"> <thead> <tr> <th colspan="2">Composants</th> </tr> </thead> <tbody> <tr> <td>A</td> <td>Scie circulaire portable</td> </tr> <tr> <td>B</td> <td>Clé à six pans dans la fixation sur la machine</td> </tr> <tr> <td>C</td> <td>Guide parallèle</td> </tr> </tbody> </table>	Composants		A	Scie circulaire portable	B	Clé à six pans dans la fixation sur la machine	C	Guide parallèle
Composants									
A	Scie circulaire portable								
B	Clé à six pans dans la fixation sur la machine								
C	Guide parallèle								
<p>Ill. 25 : Équipement standard</p>									

## 2.4 Éléments de commande



III. 26 : éléments de commande

### Éléments de commande sur la machine

- |    |   |
|----|---|
| 1  | Levier de plongée                       |
| 2  | Graduation de la profondeur de coupe    |
| 3  | Poussoir                                |
| 4  | Blocage d'enclenchement                 |
| 5  | Levier de commande                      |
| 6  | Vis à ailettes                          |
| 7  | Levier du verrouillage de bloc batterie |
| 8  | Levier de blocage                       |
| 9  | Molette                                 |
| 10 | Graduation segment pivotant             |
| 11 | Levier segment pivotant                 |
| 12 | Levier de préchargement                 |

## 2.5 Utilisation conforme

La machine est exclusivement destinée à la coupe longitudinale et transversale de bois massifs.

Les panneaux dérivés du bois tels que les panneaux de particules, les panneaux lattés et les panneaux MDF peuvent être également usinés.

Le sciage de matériaux isolants en fibres de bois et de matières plastiques (polystyrène) s'avère également possible.

N'utiliser que des lames de scie homologuées par le fabricant.

Par ailleurs, la machine se prête au façonnage des panneaux sandwich.

L'utilisation en service industriel continu n'est pas autorisée.

N'utiliser que les blocs batteries et le chargeur APS M (Réf. 095220) autorisés par le fabricant.

Toute autre utilisation que celle conforme précédemment indiquée est interdite. La responsabilité du fabricant ne pourra pas être mise en cause en cas de dommages résultant d'une utilisation non conforme ; une telle utilisation annule également la garantie et les droits de garantie.

Pour utiliser la machine de façon conforme, respecter les conditions de fonctionnement, maintenance et entretien dictées par MAFELL.

## 2.6 Utilisation non conforme prévisible

### Font partie d'une utilisation non conforme prévisible :

- Le fait de manipuler, retirer et/ou déjouer des dispositifs de sécurité quels qu'ils soient.
- Le fonctionnement de la machine sans dispositifs de sécurité.
- Le non-respect des consignes de sécurité et mises en garde dans la notice d'emploi.
- Le retrait des consignes de sécurité et mises en garde apposées sur la machine.
- Commande de la machine par des personnes non autorisées.
- Le non-respect des consignes de maintenance et d'entretien.

### Ne doivent pas être utilisées :

- Des lames de scie fissurées ou des lames de scie déformées.
- Des lames de scie en acier rapide fortement allié (HSS).
- Des lames de scie émoussées, occasionnant une surcharge du moteur.
- Des lames de scie dont le corps est plus épais que le couteau diviseur ou dont la largeur de coupe (avoyage) est inférieure à l'épaisseur du couteau diviseur.
- Des lames de scie pas appropriées à la vitesse de rotation à vide.
- Des meules.

### 3 Consignes générales de sécurité pour outils électriques

#### Avertissement

**Lire toutes les consignes de sécurité, instructions, illustrations et caractéristiques techniques accompagnant le présent outil électrique.** Tout non-respect des instructions ci-après risque d'être à l'origine d'une décharge électrique, d'un incendie et/ou de graves blessures.

**Conservez précieusement toutes les consignes de sécurité et instructions pour pouvoir les consulter à tout moment.**

Le terme « outil électrique » utilisé dans les consignes de sécurité fait référence aux outils électriques fonctionnant sur secteur (avec cordon d'alimentation) ou aux outils électriques fonctionnant sur batterie (sans cordon d'alimentation).

#### 3.1 Poste de travail

- **Maintenir la zone de travail dans un état propre, bien éclairé et bien ordonné.** Le désordre et les zones de travail non éclairées peuvent constituer des sources d'accidents.
- **Ne pas travailler avec l'appareil dans un environnement à risque d'explosions, dans lequel se trouvent des liquides, gaz ou poussières inflammables.** Des outils électriques génèrent des étincelles risquant d'enflammer la poussière ou les vapeurs.
- **Pendant l'utilisation de l'outil électrique, tenir des enfants et d'autres personnes à l'écart.** La moindre distraction risque de vous faire perdre tout contrôle de l'appareil.

#### 3.2 Sécurité électrique

- **La fiche de l'appareil doit pouvoir rentrer dans la prise de courant. La fiche ne doit être modifiée en aucune manière. Ne pas utiliser d'adaptateur en même temps que des outils électriques mis à la terre.** Des fiches non modifiées et des prises adaptées réduisent le risque d'une décharge électrique.
- **Éviter tout contact du corps avec des surfaces reliées à la terre, telles que tubes, chauffages, cuisinières et réfrigérateurs.** Le risque de décharge électrique est accru si le corps est relié à la terre.
- **Tenir l'appareil à l'écart de la pluie ou de l'humidité.** L'infiltration d'eau dans un appareil électrique augmente le risque d'une décharge électrique.
- **Ne pas se servir du câble pour porter ou suspendre l'appareil et ne pas tirer dessus pour le débrancher de la prise de courant. Tenir le câble de raccordement à l'écart de la chaleur, de l'huile, d'arêtes vives ou de pièces en mouvement.** Des câbles de raccordement endommagés ou emmêlés augmentent le risque d'une décharge électrique.
- **Si le travail avec l'outil électrique se fait en plein air, n'utiliser que des rallonges de câbles homologuées pour l'extérieur.** L'utilisation d'une rallonge de câble convenant à l'extérieur réduit le risque d'une décharge électrique.
- **Si le fonctionnement de l'outil électrique dans un environnement humide s'avère inévitable, recourir à un disjoncteur à courant de défaut.** L'utilisation d'un disjoncteur à courant de défaut réduit le risque d'une décharge électrique.

### 3.3 Sécurité de personnes

- **Faire preuve de vigilance, se concentrer sur ce que l'on fait et rester raisonnable en travaillant avec un outil électrique. Ne pas utiliser d'outil électrique en étant fatigué ou en se trouvant sous l'emprise de drogues, d'alcool ou de médicaments.** Un moment d'inattention pendant l'utilisation de l'appareil suffit à entraîner de sérieuses blessures.
- **Porter un équipement de protection personnelle et toujours des lunettes de protection.** Le port d'un équipement de protection personnelle, tel que masque antipoussière, chaussures de sécurité antidérapantes, casque ou protection auditive, suivant le type d'utilisation de l'outil électrique, réduit le risque de blessures.
- **Éviter une mise en service involontaire. S'assurer que l'outil électrique est arrêté, avant de le relier à l'alimentation électrique et/ou à la batterie, de le prendre ou de le porter.** Le fait de laisser le doigt sur l'interrupteur, pendant le transport de l'appareil, ou de le brancher alors qu'il est enclenché, risque d'être à l'origine d'accidents.
- **Retirer les outils de réglage ou la clé, avant d'enclencher l'outil électrique.** Un outil ou une clé inséré(e) dans une partie en rotation de l'appareil peut être à l'origine de blessures.
- **Ne pas se surestimer. Éviter toute posture anormale. Veiller à un appui sécurisé et garder son équilibre à tout moment.** Il est ainsi plus facile de contrôler l'appareil en cas de situations inattendues.
- **Porter des vêtements appropriés. Ne porter ni vêtements larges, ni bijoux. Tenir cheveux, vêtements et gants à l'écart de pièces en mouvement.** Des vêtements amples, des bijoux ou des cheveux longs risquent d'être saisis par des pièces en mouvement.
- **Si un dispositif d'aspiration et de récupération peut être monté, le raccorder et l'utiliser correctement.** L'utilisation d'une aspiration de poussières peut minimiser les risques dus à la poussière.
- **Même en étant familiarisé avec l'outil électrique, pour l'avoir maintes fois utilisé, ne pas se sentir trop sûr de soi et ne pas se comporter de façon négligente vis-à-vis des règles de sécurité régissant les outils électriques.** Agir sans réfléchir peut être à l'origine de graves blessures en un rien de temps.

### 3.4 Manipulation et utilisation soignée d'outillage électrique

- **Ne pas surcharger l'appareil. Toujours utiliser l'outillage électrique adapté au travail à effectuer.** L'utilisation de l'outillage électrique adapté vous permet de mieux travailler et de le faire de manière sécurisée, avec les performances indiquées.
- **Ne pas utiliser d'outil électrique dont l'interrupteur est défaillant.** Un outil électrique ne pouvant plus être ni enclenché, ni arrêté est dangereux et doit être réparé.
- **Débrancher la fiche de la prise et/ou retirer la batterie amovible avant de procéder à des réglages de l'appareil, de remplacer des accessoires ou de mettre l'appareil de côté.** Cette mesure de précaution permet d'éviter un démarrage involontaire de l'appareil.
- **Conserver les outils électriques non utilisés hors de la portée d'enfants. Ne pas confier l'outillage électrique à des personnes n'étant pas familiarisées avec lui ou n'ayant pas lu les présentes instructions.** Les outils électriques sont dangereux s'ils sont utilisés par des personnes inexpérimentées.

- **Entretien soigneusement l'appareil. Vérifier si les pièces mobiles fonctionnent de manière irréprochable et ne se coincent pas, si des pièces sont cassées ou endommagées à tel point qu'elles entravent le fonctionnement de l'appareil. Avant d'utiliser l'appareil, faire réparer les pièces endommagées.** Ne nombreux accidents résultent d'outils électriques mal entretenus.
- **Maintenir les outils de coupe acérés et propres.** Des outils de coupes soigneusement entretenus et bien acérés se coincent moins et sont plus faciles à guider.
- **Utiliser des outils électriques, accessoires, outils insérables, etc. conformes aux présentes instructions. Tenir compte pour cela des conditions de travail et de la tâche à effectuer.** L'utilisation d'outils électriques à d'autres fins que celles pour lesquelles ils ont été conçus peut constituer une source de situations dangereuses.
- **Tenir poignées et surfaces de préhension sèches, propres et exemptes d'huile et de graisse.** Des poignées et surfaces de préhension glissantes ne permettent ni commande, ni contrôle fiable de l'outil électrique dans des situations imprévues.

### 3.5 Utilisation et traitement d'outils sans fil

- **Ne charger les batteries que dans un chargeur recommandé par le fabricant.** S'il est utilisé avec d'autres batteries que celles auxquelles il est destiné, un chargeur peut constituer un risque d'incendie.
- **N'utiliser dans les outils électriques que les batteries prévues à cet effet.** L'utilisation d'autres batteries risque d'être à l'origine de blessures et d'incendies.
- **Tenir la batterie non utilisée à l'écart d'agrafes, pièces de monnaie, clés, clous, vis et autres objets métalliques risquant de provoquer un pontage des contacts.** Un court-circuit entre les contacts de la batterie peut déclencher des brûlures ou un incendie.
- **En cas d'utilisation incorrecte, du liquide risque de s'échapper de la batterie. En éviter le contact. En cas de contact par inadvertance, rincer à l'eau. Si le liquide saute aux yeux, recourir en plus à l'aide d'un médecin.** Le liquide s'échappant de batteries peut provoquer des irritations cutanées ou des brûlures.
- **N'utiliser des batteries ni endommagées, ni modifiées.** Des batteries endommagées ou modifiées peuvent se comporter de manière inattendue et être à l'origine d'incendies, explosions ou blessures.
- **Ne pas exposer une batterie au feu ou à des températures excessives.** Le feu ou des températures supérieures à 265°F peuvent déclencher une explosion.
- **Suivre toutes les instructions pour le chargement et ne jamais recharger la batterie ou l'outil sans fil en-dehors de la plage de températures indiquées dans le manuel d'utilisation.** Un chargement incorrect ou en-dehors de la plage de températures autorisée risque de détruire la batterie et d'être à l'origine d'un incendie.

### 3.6 Service

- **Ne confier la réparation de l'appareil qu'à du personnel spécialisé et qualifié et n'utiliser que des pièces de rechange d'origine.** Ceci garantit le maintien de la sécurité de l'appareil.
- **Ne jamais réparer de batteries endommagées.** Tout l'entretien de batteries ne devrait être confié qu'au fabricant ou à une station de service après-vente agréée.

## 4 Consignes de sécurité pour les scies circulaires

### Sciage

- **DANGER: Ne mettre les mains ni dans la zone de sciage, ni sur la lame de scie. Retenir de l'autre main la poignée supplémentaire ou le carter du moteur.** Si les deux mains retiennent la scie, elles ne risquent pas d'être blessées par la lame de scie.
- **Ne pas mettre les mains sous la pièce à travailler.** Le capot protecteur n'offre aucune protection contre la lame de scie en-dessous de la pièce à travailler.
- **Adapter la profondeur de coupe à l'épaisseur de la pièce à travailler.** Sous la pièce, on devrait voir moins que la hauteur complète d'une dent.
- **Ne jamais retenir la pièce à travailler d'une main ou d'une jambe. Bloquer la pièce à travailler sur un appui stable.** Il est important de bien fixer la pièce à travailler. Ceci minimise le risque de contact corporel, le blocage de la lame de scie ou la perte de contrôle de la machine.
- **Tenir l'appareil électrique au niveau des plans de prise isolés de l'appareil, en effectuant des travaux au cours desquels l'outil utilisé risque de rencontrer des câbles électriques dissimulés.** Tout contact avec un câble sous tension met également les pièces métalliques de l'outil électrique sous tension et provoque une décharge électrique.
- **Toujours utiliser une butée ou un guidage de bord droit pour la coupe longitudinale.** Ceci améliore la précision de la coupe et réduit la possibilité de coincement de la lame de scie.
- **Toujours utiliser des lames de scie ayant la dimension correcte et l'alésage de fixation approprié (par ex. en forme d'étoile ou rond).** Des lames de scie non adaptées aux pièces montées sur la scie tournent de façon irrégulière et sont à l'origine d'une perte de contrôle.
- **Ne jamais utiliser de rondelles ou de vis de lames de scies endommagées ou incorrectes.** Les rondelles et vis de lames de scie sont construites spécialement pour la scie utilisée, afin d'en assurer la performance et la sécurité de fonctionnement optimales.

### Rebond - causes et consignes de sécurité correspondantes

- Un rebond est une réaction brusque résultant du coincement ou d'un ajustage incorrect de la lame de scie, qui provoque un relèvement incontrôlé de la scie, à la suite duquel la scie ressort du matériau en direction de l'opérateur.
- Si la lame de scie se coince dans l'interstice de coupe qui se ferme, elle se bloque et la force motrice fait rebondir la scie en arrière, en direction de l'opérateur.
- Si la lame de scie est retournée ou mal orientée dans la fente de coupe, les dents du bord arrière de la lame de scie risquent de rester accrochées à la surface du bois, entraînant ainsi l'extraction de la lame de scie hors de l'interstice de coupe et le rebond de la scie en direction de l'opérateur.

Un rebond est la conséquence d'une utilisation incorrecte ou erronée de la scie. Il peut être évité grâce aux mesures de précaution appropriées, ci-après décrites.

- **Retenir fermement la scie des deux mains et positionner les bras de manière à ce qu'ils puissent intercepter les forces dues au rebond. Toujours se tenir sur le côté de la lame de scie et ne jamais se placer sur la même ligne que la lame de scie.** En cas de rebond, la scie circulaire peut revenir en arrière mais, en prenant des mesures de précaution appropriées, l'opérateur peut cependant arriver à maîtriser les forces de rebond.
- **Si la lame de scie est coincée ou bien si le travail est interrompu, arrêter la scie et la retenir calmement dans le matériau, jusqu'à ce que la lame de scie s'immobilise. Ne jamais essayer de la dégager ou de la tirer en arrière hors de la pièce, tant que la lame de scie est en mouvement, sinon un rebond se produit.** Déterminer la cause du coincement de la lame de scie et y remédier.
- **Pour faire redémarrer une scie bloquée dans une pièce, centrer la lame de scie dans l'interstice de coupe et vérifier que les dents de la scie ne restent pas accrochées dans la pièce à travailler.** Si la lame de scie se coince, elle peut ressortir du matériau ou provoquer un rebond, si elle est remise en marche.
- **Étayer les grands panneaux pour éviter le risque de contrecoup dû au coincement d'une lame de scie.** Entraînés par leur poids propre, des grands panneaux risquent de fléchir. Les panneaux doivent être étayés des deux côtés et ce, aussi bien à proximité de l'interstice de sciage que du bord.
- **Ne pas utiliser de lames de scie émoussées ou endommagées.** Des lames de scie, dont les dents sont émoussées ou mal orientées, provoquent une friction accrue, due à un interstice de coupe trop étroit, le blocage de la lame de scie et un rebond.
- **Définir avant le sciage les réglages de la profondeur et de l'angle de coupe.** Si les réglages varient pendant le sciage, la lame de scie risque de rester coincée et de provoquer un rebond.
- **Faire preuve d'une vigilance à toute épreuve en sciant dans des murs présents ou dans d'autres zones non visibles.** En pénétrant dans des objets masqués, la lame de scie risque de se bloquer et de provoquer un rebond.

#### Fonction du capot protecteur inférieur

- **Vérifier avant chaque utilisation si le capot protecteur inférieur ferme bien. Ne pas utiliser la scie, si le capot inférieur manque de mobilité et ne se ferme pas immédiatement. Ne jamais coincer ou attacher le capot protecteur inférieur en position ouverte.** Si la scie tombe par inadvertance, le capot protecteur inférieur risque de se voiler. Ouvrir le capot protecteur à l'aide du levier de préchargement et s'assurer qu'il se déplace librement et qu'il n'entre en contact ni avec la lame de scie, ni avec d'autres pièces dans n'importe quel angle et quelle profondeur de coupe.
- **Vérifier le fonctionnement des ressorts du capot protecteur inférieur. Faire réparer la scie avant l'utilisation, si le capot protecteur inférieur et les ressorts ne fonctionnent pas correctement.** Des pièces endommagées, des dépôts collants ou des amas de copeaux ralentissent le travail du capot protecteur inférieur.
- **N'ouvrir le capot protecteur inférieur à la main que pour des coupes spéciales en plongée ou en équerre. Ouvrir le capot protecteur inférieur avec le levier de préchargement et le relâcher dès que la lame de scie pénètre dans la pièce à travailler.** Pour tous les autres travaux de sciage, le capot protecteur devrait fonctionner automatiquement.

- 
- **Ne pas poser la scie sur un établi ou sur le sol sans que la lame de scie ne soit protégée par le capot protecteur inférieur.** Une lame de scie non protégée en postfonctionnement déplace la scie dans le sens inverse de la coupe et scie tout ce qu'elle rencontre en chemin. Respecter par conséquent la durée de postfonctionnement de la lame de scie.

#### **Fonction du couteau diviseur**

- **Utiliser la lame de scie adaptée au couteau diviseur.** Pour que le couteau diviseur agisse, la lame mère de la lame de scie doit être plus mince que le couteau diviseur et la largeur de dent supérieure à l'épaisseur du couteau diviseur.
- **Ajuster le couteau diviseur, comme décrit dans la présente notice d'emploi.** Des écarts, positions et alignements incorrects peuvent constituer la raison pour laquelle le couteau diviseur n'évite pas efficacement un rebond.
- **Toujours utiliser le couteau diviseur, sauf pour les « coupes en plongée »** Remonter le couteau diviseur à l'issue de la coupe en plongée. Le couteau diviseur perturbant les coupes en plongée, il peut générer un rebond.
- **Pour que le couteau diviseur puisse être efficace, il ne doit pas se trouver dans l'interstice de sciage.** Dans le cas de coupes courtes, le couteau diviseur est inefficace pour la prévention d'un rebond.
- **Ne pas exploiter la scie avec un couteau diviseur tordu.** Le moindre défaut risque déjà de ralentir la fermeture du capot de protection.

## 5 Consignes de sécurité spécifiques

### Dispositifs de sécurité

 <b>Danger</b>	
	<p><b>Risque de blessure dû à l'absence de dispositifs de sécurité</b></p> <p>Ces dispositifs étant nécessaires au fonctionnement sécurisé de la machine, il est interdit de les retirer ou de les ponter.</p> <ul style="list-style-type: none"> <li>➤ Avant le fonctionnement, vérifier si les dispositifs de sécurité fonctionnent et s'ils sont éventuellement endommagés.</li> <li>➤ Ne pas utiliser la machine avec des dispositifs de sécurité absents ou inefficaces.</li> </ul>

La machine est équipée des dispositifs de sécurité suivants :

Dispositif de sécurité	Type de contrôle
Capot protecteur supérieur fixe	Contrôle optique du bon état
Capot protecteur inférieur mobile	Contrôle du fonctionnement (ouverture intégrale et fermeture brusque, sans à-coup)
Socle large	Contrôle visuel quant aux endommagements et déformations
Poignées	Contrôle optique du bon état
Couteau diviseur	Contrôle visuel quant aux endommagements et déformations Contrôle du fonctionnement de la tension du ressort
(Frein moteur)	Contrôle du fonctionnement (la durée de freinage maxi ne doit pas excéder 2 secondes)
Tubulure d'aspiration	Contrôle visuel quant à l'endommagement et l'obturation

Si les dispositifs de sécurité sont endommagés ou ne fonctionnent pas correctement, respecter les consignes du chapitre Élimination des défauts. Sinon, veuillez contacter votre concessionnaire ou directement le service après-vente MAFELL.

### Champ d'application

- Il est interdit à des enfants ou à des adolescents de se servir de la machine.
- Le niveau de pression acoustique à l'oreille dépasse en général 85 dB (A). En conséquence, porter une protection auditive pendant le travail
- Porter des lunettes de protection.
- Porter un masque de protection contre les poussières.

**Instructions pour entretien et maintenance :**

- Le nettoyage régulier de la machine et surtout des dispositifs de réglage et des guidages constitue un facteur de sécurité important.
- N'utiliser que des pièces détachées et des accessoires d'origine MAFELL. À défaut de quoi la garantie du constructeur n'est pas assurée et sa responsabilité est dérogée.
- Risque de blessure lors du remplacement de la lame de scie ! Portez des gants de protection lorsque vous remplacez la lame de scie et travaillez avec précaution. Vous risquez de vous blesser si vous touchez les dents tranchantes de la lame.
- **Élaborer un calendrier de maintenance périodique pour la machine. Lors du nettoyage de la machine, veillez à ne démonter aucune pièce de la machine, car des fils internes risquent d'être mal posés ou coincés lors du remontage, ou des ressorts de rappel du dispositif de protection mal installés.** Certains produits de nettoyage tels que l'essence, le tétrachlorure de carbone, l'ammoniac, etc. peuvent endommager des pièces en plastique.

## 6 Risques résiduels

 <b>Avertissement</b>	
	<p><b>Risque de blessure en travaillant avec la machine</b></p> <p>Même dans le cadre de l'utilisation conforme et du respect des consignes de sécurité, certains risques résiduels émanent de l'utilisation et peuvent être à l'origine de problèmes de santé.</p> <ul style="list-style-type: none"> <li>➤ Respecter les consignes de sécurité et informations fournies dans les présentes instructions.</li> <li>➤ Toujours travailler avec une attention accrue et le maximum de vigilance en manipulant la machine.</li> </ul>

Font également partie des risques résiduels :

- Contact avec la lame de scie dans la zone de la fente de translation sous la plaque de base.
- Contact lors du sciage, de la partie de lame se trouvant sous la pièce à travailler.
- Contact de pièces en rotation sur le côté : lame de scie, flasque de serrage, vis de flasque.
- Contrecoup de la machine lors du coincement dans la pièce à travailler.
- Rupture et éjection de la lame de scie ou de morceaux de la lame de scie.
- Lésion de l'ouïe lors de travail long et continu sans protection auditive.
- Émission de sciures de bois nuisant à la santé lors d'un travail long et continu sans aspiration.
- **Une partie de la poussière générée lors du sciage, ponçage, perçage et autres travaux de construction contient des produits chimiques connus pour être cancérigènes, provoquer des malformations congénitales ou d'autres atteintes à la reproduction. Voici quelques exemples de ces produits chimiques :**
  - Le plomb des peintures à base de plomb,
  - La silice cristalline provenant des briques, du ciment et d'autres produits de maçonnerie,
  - L'arsenic et le chrome provenant de bois traité chimiquement.

Le risque encouru à cause de ces dangers varie en fonction de la fréquence à laquelle ce type de travail est effectué. Pour réduire l'exposition à ces produits chimiques : travailler dans un endroit bien ventilé et utiliser des équipements de sécurité approuvés, tels que masques anti-poussières spécialement conçus pour filtrer les particules microscopiques.

## 7 Équipement / Réglage

### 7.1 Charger le bloc batterie

La batterie et le chargeur sont adaptés l'un à l'autre. Pour le chargement, n'utiliser que les chargeurs MAFELL.

Lorsque la machine est neuve, commencer par charger le bloc batterie.



La procédure de chargement est décrite dans les instructions fournies « Chargeur APS M ».

Une durée de fonctionnement sensiblement plus courte par chargement indique que le bloc batterie est usé et qu'il doit être remplacé.

Le bloc batterie est équipé d'une surveillance de température qui garantit que le bloc batterie n'est rechargé que dans une plage de températures entre 0 °C (32 °F) et 50 °C (122 °F). Ceci permet d'obtenir une grande durée de vie du bloc batterie.

### Avertissement



#### Risque d'incendie et d'explosion dû à la surchauffe ou à l'humidité

De fortes températures et de l'humidité risquent de provoquer des courts-circuits sur les blocs batteries. Risque d'incendie et d'explosion.

- Protéger le bloc batterie contre la chaleur, le feu et l'humidité.
- Ne pas exposer le bloc batterie à des températures supérieures à 50 °C (122 °F).
- Conserver le bloc batterie à une température entre 10 °C (50 °F) et 30 °C (86 °F).
- Faire refroidir le bloc batterie avant le chargement, s'il s'est échauffé.

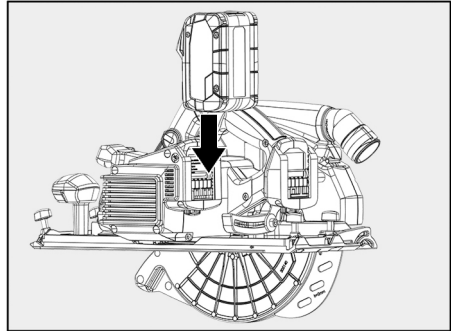
### 7.2 Insérer le bloc batterie

Avant l'insertion, vérifier si la tension nominale du bloc batterie correspond à l'indication faite sur la machine.

**ATTENTION:** Risque d'explosion si la pile n'est remplacée correctement. Remplacer uniquement par une pile de type identique ou équivalent.

**Pour insérer le bloc batterie dans la machine en marche, procéder de la manière suivante :**

1. Introduire le bloc batterie chargé dans le compartiment batterie, jusqu'à ce qu'il s'encliquette sensiblement.
2. S'assurer de la bonne assise du bloc batterie dans la machine.
  - ✓ Le bloc batterie est mis en place dans la machine



III. 27 : mise en place du bloc batterie dans la machine

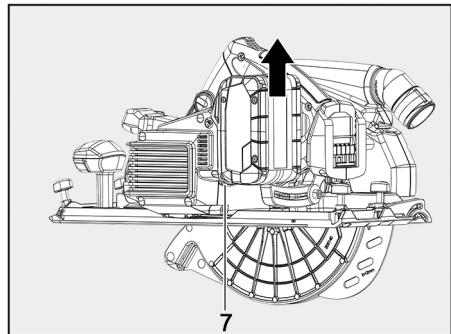


Les deux blocs batterie peuvent être insérés de la même manière.

### 7.3 Retirer le bloc batterie

**Pour retirer le bloc batterie, procéder de la manière suivante :**

1. Pousser le levier de verrouillage de bloc batterie 7 et le maintenir appuyé.
2. Dégager le bloc batterie du guidage.
  - ✓ Le bloc batterie est retiré.



III. 28 : retrait du bloc batterie



Les deux blocs batterie peuvent être retirés de la même manière.

## 7.4 Aspiration des copeaux

### ⚠ Attention



#### Dangers pour la santé dus à la poussière de bois

Les poussières se dégageant pendant le travail sont inhalées et peuvent nuire à la santé.

- Les poussières nuisant à la santé doivent être aspirées à l'aide d'un aspirateur HEPA 13.
- Porter un masque anti-poussière pendant le travail.

Raccorder la machine à un dispositif d'aspiration externe approprié avant d'effectuer des travaux avec un fort dégagement de poussière. La vitesse de l'air doit être d'au moins 20 m/s [65 ft/sec].

Le diamètre intérieur de la tubulure d'aspiration est de 35 mm [1.4 in].

Pour des travaux de courte durée, pendant lesquels une légère quantité de poussière risque de se dégager, le sac de copeaux fourni peut servir d'aspiration intégrée.

## 7.5 Choix de la lame

Pour obtenir une bonne qualité de coupe, utiliser un outil affûté et choisir une lame dans la liste suivante, en fonction du matériau et de l'application :

#### Coupes longitudinale et transversale par rapport au sens des fibres du bois tendre ou dur :

- Lame de scie KSB-WU280 GT, HW-lame de scie circulaire Ø 280 x 2,8 x 30 mm, 28 dents [11.02 x 0.11 x 1.18 in]

#### Coupe de bois tendre et dur, en particulier dans le sens longitudinal par rapport au sens des fibres :

- Lame de scie KSB-WL280 GT, HW-lame de scie circulaire Ø 280 x 2,8 x 30 mm, 15 dents [11.02 x 0.11 x 1.18 in]

#### Coupe de bois tendre ou dur, en particulier dans le sens transversal par rapport au sens des fibres :

- Lame de scie KSB-WF280 GT, HW-lame de scie circulaire Ø 280 x 2,8 x 30 mm, 56 dents [11.02 x 0.11 x 1.18 in]

#### Coupe de matériaux isolants en fibres de bois :

- Lame de scie KSB-WF280 GT, HW-lame de scie circulaire Ø 280 x 2,8 x 30 mm, 56 dents [11.02 x 0.11 x 1.18 in]

#### Coupe de matières plastiques (polystyrène) :

- Lame de scie KSB-WU280 GT, HW-lame de scie circulaire Ø 280 x 2,8 x 30 mm, 28 dents [11.02 x 0.11 x 1.18 in]

#### Coupe de panneaux sandwich à noyaux en mousse de polyuréthane/de polyisocyanurate (PUR/PIR) :

- Lame de scie KSB-SP280, HW-lame de scie circulaire Ø 280 x 2,6 x 30 mm, 52 dents [11.02 x 0.1 x 1.18 in]

## 7.6 Changement de lame

### Attention



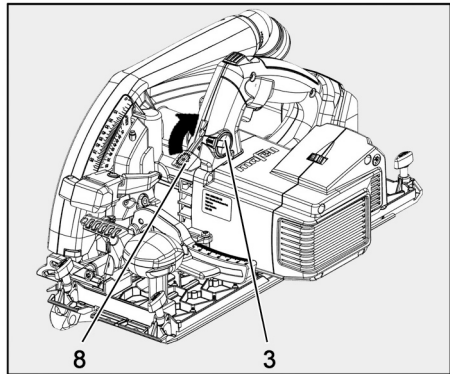
#### Risque de blessure dû à la lame de scie acérée

La lame de scie est acérée. Lors du remplacement de la lame de scie, il est possible de s'y blesser.

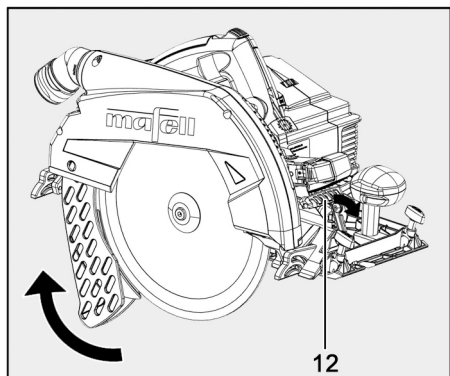
- Porter des gants de protection pour remplacer la lame de scie.
- Faire preuve de vigilance en remplaçant la lame de scie.

#### Pour remplacer la lame de scie, procéder de la manière suivante :

1. Retirer le bloc batterie de la machine.
2. Poser la machine sur une surface plane.
3. Actionner et maintenir le poussoir 3 actionné.
4. Tirer le levier de blocage 8 vers le haut.
  - Le levier de commande est verrouillé. Le mécanisme de verrouillage de la lame de scie est activé.
5. Le capot protecteur mobile peut être ouvert en position maximale à l'aide du levier de préchargement 12 ou à la main.
  - Le capot protecteur est bloqué en position ouverte pour permettre le retrait de la lame de scie.

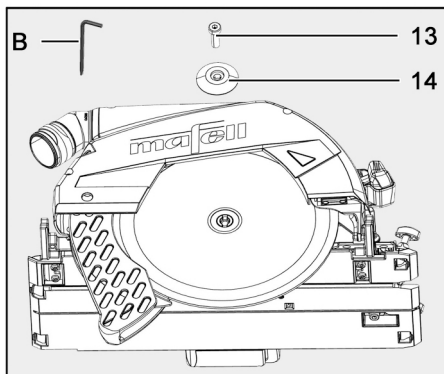


III. 29 : blocage de l'arbre de scie

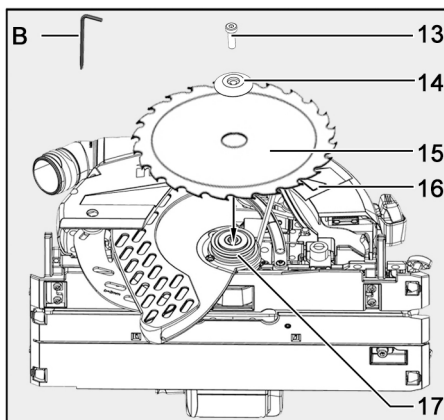


III. 30 : ouverture du capot protecteur

6. Tourner la machine l'unité moteur. La lame de scie est dirigée vers le haut.
7. Insérer la clé à six pans B dans la vis de bride 13 et visser cette dernière **dans le sens inverse des aiguilles d'une montre**, jusqu'à ce que l'arbre de scie s'encliquette dans le cran d'arrêt.
  - La lame de scie est maintenue en position et la vis de bride peut être dévissée.
8. Dévisser la vis de bride 13 **dans le sens inverse des aiguilles d'une montre**, à l'aide de la clé à six pans B.
9. Retirer la vis de bride 13 ainsi que la bride de serrage avant 14.
10. Retirer la lame de scie usée.
  - Les brides de serrage doivent être exemptes de particules adhérentes !
  - La lame de scie neuve peut être alors montée.
11. Poser la lame de scie neuve 15 sur la bride arrière 17.
  - Lors de la mise en place de la lame de scie, faire attention au sens de rotation. Les dents de scie ou la flèche sur la lame de scie 15 doivent être dirigées vers la flèche 16 se trouvant sur la machine.
12. Insérer la bride de serrage 14 et la vis de bride 13.
13. Visser la vis de bride 13 **dans le sens des aiguilles d'une montre**, à l'aide de la clé à six pans B.
  - La lame de scie est fixée.

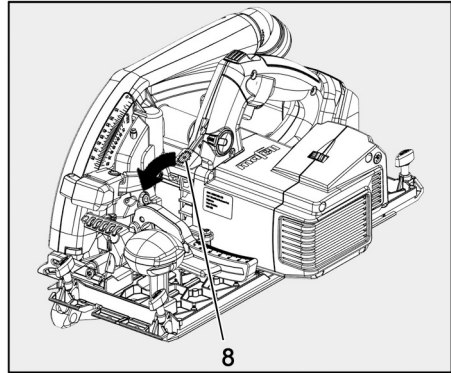


III. 31 : retrait de la lame de scie usée



III. 32 : remplacement de la lame de scie

14. Fermer ensuite le capot protecteur mobile.
15. Presser le levier de blocage 3 vers le bas pour fermer le capot protecteur mobile.
  - Le mécanisme de verrouillage de la lame de scie est désactivé.
  - Le levier de commande est déverrouillé.
  - ✓ La lame de scie est remplacée.



III. 33 : déverrouillage du levier de commande

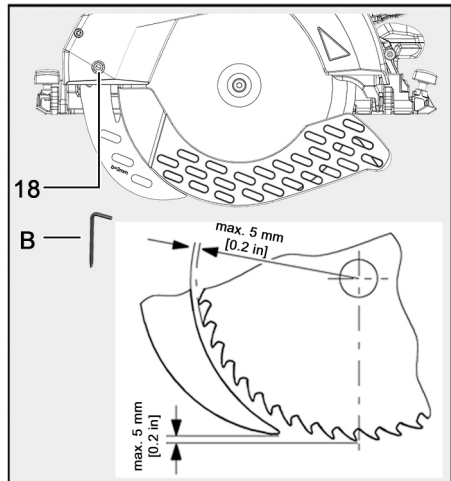
### 7.7 Couteau diviseur

Le couteau diviseur empêche le coincement de la lame de scie lors de la coupe longitudinale. Lors de la plongée de la machine dans la pièce, le couteau diviseur s'écarte vers le haut. En progressant, la machine libère l'interstice en aval de la lame de scie, de sorte que le couteau diviseur reprend sa position normale.

L'écart correct par rapport à la lame de scie est représenté dans l'illustration.

#### Pour régler l'écart du couteau diviseur, procéder de la manière suivante :

1. Retirer le bloc batterie de la machine.
2. Pour le réglage, dévisser la vis 18 **dans le sens inverse des aiguilles d'une montre**, à l'aide de la clé à six pans B fournie.
3. Régler le couteau diviseur en le décalant dans sa fente oblongue.
  - Respecter l'écart maximal par rapport à la lame de scie (voir ill. 34).
4. Serrer ensuite de nouveau la vis 18 **dans le sens des aiguilles d'une montre**, à l'aide de la clé à six pans B.
  - ✓ L'écart du couteau diviseur est réglé.



III. 34 : écart entre le couteau diviseur et la lame de scie



Grâce au couteau diviseur sous tension de ressort (Flippkeil), il n'est plus nécessaire de démonter et de monter le couteau diviseur pour effectuer des coupes en plongée.

## 8 Fonctionnement

### 8.1 Mise en service

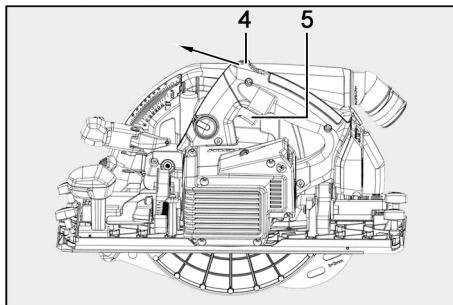
#### Avertissement

La présente notice d'emploi doit être portée à la connaissance du personnel chargé de travailler avec la machine, une attention particulière devant être accordée au chapitre « consignes de sécurité ».

### 8.2 Mise en marche

**Pour mettre la machine en marche, procéder de la manière suivante :**

1. Presser le blocage d'enclenchement 4 vers l'avant, pour le déverrouillage.
2. Actionner le levier de commande 5 et le maintenir appuyé, tout en pressant le blocage d'enclenchement.
3. Relâcher le blocage d'enclenchement 4.
  - ✓ La machine est enclenchée



III. 35 : mise en marche de la machine



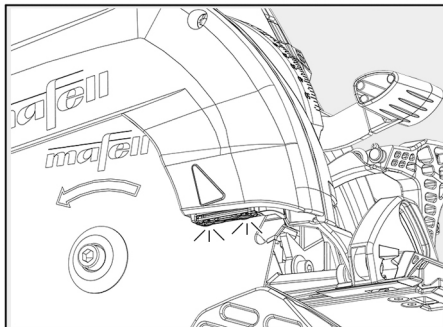
Vu qu'il s'agit d'un interrupteur sans blocage, la machine continue de fonctionner tant que le levier de commande est pressé. La conception du moteur permet l'arrêt très rapide de la machine après la mise hors service. (Frein moteur)

### 8.3 Éclairage

Pour assurer le vaste éclairage de la zone de travail, la machine est équipée d'un module d'éclairage.

Ce module est activé dès la mise en marche de la machine.

Le mode est automatiquement désactivé pendant un arrêt prolongé de la machine.

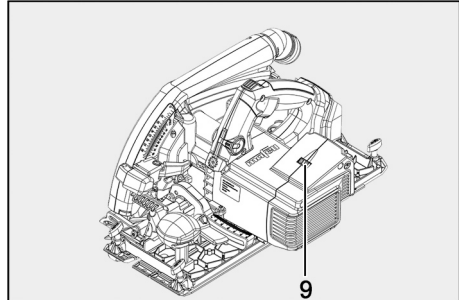


III. 36 : module d'éclairage sur la machine

#### 8.4 Réglage de la vitesse de rotation

Pour régler la vitesse de rotation, procéder de la manière suivante :

1. Régler la vitesse voulue à l'aide de la molette de réglage 9.
  - La molette 9 permet de régler la vitesse de rotation de la lame de scie entre 2800 et 5200 tours par minutes.
  - ✓ La vitesse de rotation est réglée.



Ill. 37 : réglage de la vitesse de rotation à l'aide de la molette



Un réglage approprié de la vitesse de rotation permet d'éviter une surchauffe des dents de scie et de prolonger la durée de vie des lames de scie.

Le réglage de la vitesse de rotation de lame de scie, convenant à l'utilisation et au matériau, est indiqué dans le tableau suivant :

Matériaux	Niveau	Vitesse de rotation
Plastiques (polystyrène)	1	2800
Plastiques (polystyrène)	2	3250
Matériaux isolants en fibres de bois	3	3700
Bois dur, bois tendre, contreplaqué, panneaux revêtus dérivés du bois, panneaux sandwich	4	4100
Bois dur, bois tendre, contreplaqué, panneaux revêtus dérivés du bois	5	4750
Bois dur, bois tendre, contreplaqué, panneaux revêtus dérivés du bois, fibres souples	6	5200

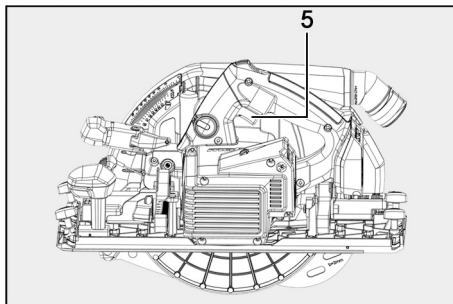


Les instructions pour la coupe du bois peuvent également servir à la coupe de matériaux plastiques structuraux. Lors de la découpe de matériaux en plastiques, toujours effectuer une coupe d'essai auparavant pour déterminer si la scie fait fondre le matériau. Si nécessaire, adapter la vitesse de coupe et/ou l'avance et/ou la lame de scie pour minimiser/éviter une fusion.

## 8.5 Arrêt

**Pour arrêter la machine, procéder de la manière suivante :**

1. Relâcher le levier de commande 5.
  - Le frein automatique monté permet de limiter à 2 s environ la durée de décélération de la lame de scie.
  - Le blocage d'enclenchement redevient actif et protège la scie circulaire portable contre tout enclenchement involontaire.
  - ✓ La machine est arrêtée.



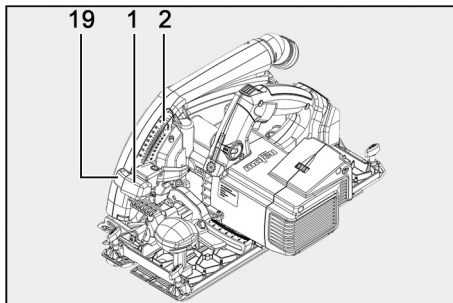
III. 38 : arrêter la machine

## 8.6 Réglage de la profondeur de coupe

La profondeur de coupe peut être réglée progressivement dans une plage de 0 à 88 mm [0 à 3,46 in].

**Pour régler la profondeur de coupe, procéder de la manière suivante :**

1. Appuyer sur le bouton-poussoir 19 et le maintenir appuyé.
2. Régler la profondeur de coupe à l'aide du levier de plongée 1.
  - La profondeur de coupe peut être relevée sur l'échelle graduée 2 se trouvant sur le couvercle. Le plan sur fond rouge du levier de plongée 1 sert d'indicateur.
3. Relâcher le bouton-poussoir 19.
  - ✓ La profondeur de coupe est réglée.



III. 39 : réglage de la profondeur de coupe



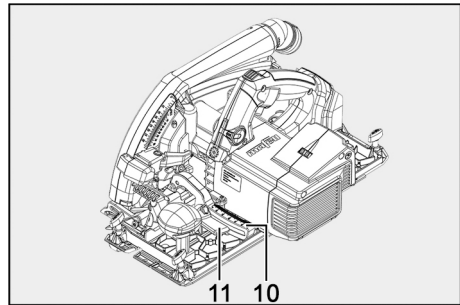
Toujours régler la profondeur de coupe de séparation de manière à ce qu'elle ait jusqu'à 2 à 5 mm [0.08 à 0.2 in] de plus environ que l'épaisseur du matériau à couper.

### 8.7 Réglage pour coupes biaisées

Pour les coupes biaisées, le groupe de sciage peut être réglé sur un angle quelconque de 0° à 60°.

**Pour régler le groupe de sciage pour des coupes biaisées, procéder de la manière suivante :**

1. Pour la coupe biaisée, poser la machine et l'étayer de manière à ce que le groupe de sciage puisse être pivoté.
2. Desserrer le levier 11.
3. Régler l'angle en fonction de la graduation 10 sur le segment pivotant.
4. Serrer ensuite le levier 10 à fond.
  - ✓ Le groupe de sciage est réglé sur l'angle voulu pour la coupe biaisée.



Ill. 40 : réglage du groupe de sciage pour coupes biaisées

### 8.8 Coupes en plongée

#### **⚠ Avertissement**



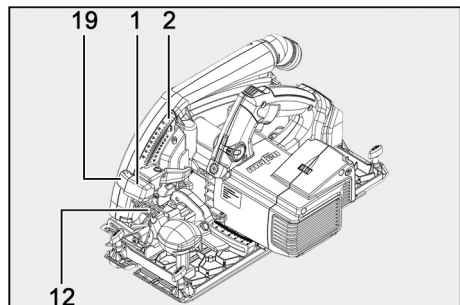
#### **Risque de rebond lors de la coupe en plongée !**

Des coincements pendant des coupes en plongée peuvent provoquer un rebond de la machine. Ceci peut être à l'origine de graves blessures.

- Avant la plongée, aligner le bord arrière de la plaque de base de la machine par rapport à une butée fixée sur la pièce à usiner fixée.
- Bien retenir la machine au niveau de la poignée, lors de la plongée, et la faire progresser doucement vers l'avant !

**Pour effectuer des coupes en plongée, procéder de la manière suivante :**

1. Appuyer sur le bouton-poussoir 19 et le maintenir appuyé.
2. Régler la machine dans la position tout à fait en haut, à l'aide du levier de plongée 1.
3. Ouvrir complètement le capot protecteur mobile à l'aide du levier de préchargement 12, de manière à ce que la machine puisse être posée sur la pièce à usiner.
  - La lame de scie et le couteau diviseur se trouvent alors librement au-dessus du matériau.
4. Aligner la machine sur la pièce à travailler pour la coupe en plongée.
5. Mettre la machine en marche et presser le levier de plongée 1 vers le bas.



Ill. 41 : coupe en plongée

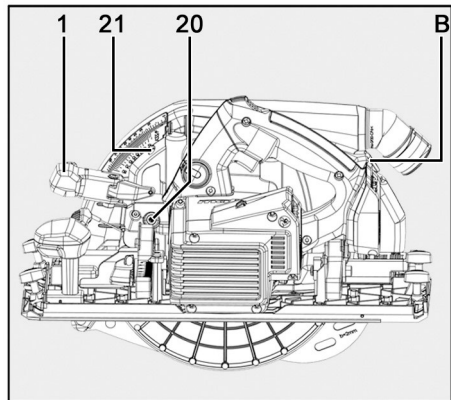
- Ceci permet à la lame de scie de plonger à la verticale dans la pièce à usiner. La profondeur de plongée est indiquée sur la graduation 2. Le couteau diviseur s'écarte vers le haut lors de la plongée. En progressant, la machine libère l'interstice en aval de la lame de scie, de sorte que le couteau diviseur reprend sa position normale.
  - Grâce au couteau diviseur sous tension de ressort (Flippkeil), il n'est plus nécessaire de démonter et de monter le couteau diviseur pour effectuer des coupes en plongée.
6. Arrêter l'avance à la fin de la coupe en plongée.
  7. Arrêter la machine.
  8. Tirer la lame de scie hors de la fente de scie avec le levier de plongée 1.
    - ✓ La coupe en plongée est faite.



En cas de coupes en plongée répétées ayant la même profondeur, la profondeur de plongée peut être pré réglée.

### Pour régler la profondeur de plongée, procéder de la manière suivante :

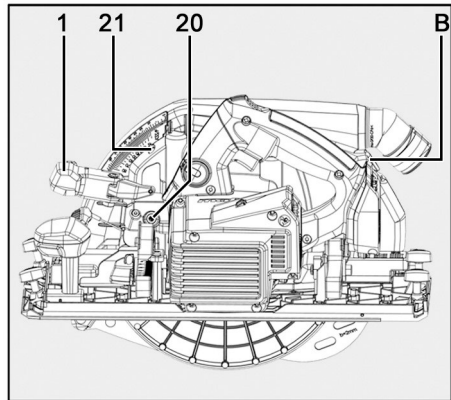
1. Régler la machine sur la profondeur de plongée souhaitée, à l'aide du levier de plongée 1.
2. Dévisser la vis de serrage 20 à l'aide de la clé à six pans B.
  - La barre de butée 21 descend jusqu'à la butée.
3. Resserrer la vis de serrage 20 à fond.
  - Il est possible d'effectuer plusieurs coupes en plongée avec la même profondeur.
  - À l'issue des opérations de plongée à la même profondeur, remettre la barre de butée dans la position supérieure pour la pleine profondeur de plongée.
  - ✓ La profondeur de plongée est pré réglée.



III. 42 : pré réglage de la profondeur de plongée

**Pour régler de nouveau la pleine profondeur de plongée, procéder de la manière suivante :**

1. Dévisser la vis de serrage 20 à l'aide de la clé à six pans B.
2. Régler la machine sur la profondeur de coupe maximale. Pousser pour cela le levier de plongée 1 jusqu'en butée vers le bas.
  - La barre de butée 21 se déplace dans la position tout à fait en haut.
3. Resserrer la vis de serrage 20 à fond.
  - ✓ La profondeur de plongée intégrale est de nouveau disponible.

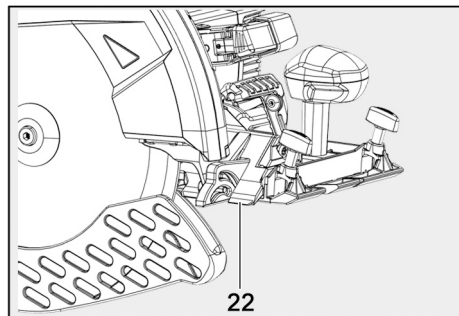


III. 43 : réinitialisation de la profondeur de coupe

**8.9 Sciage d'après tracé**

La plaque de base possède un pointeur de traçage mobile s'adaptant automatiquement lors de coupes biaisées. Ce bord de traçage 22 correspond à la partie intérieure de la lame de scie (côté faisant face au moteur).

Pour les coupes biaisées, on peut voir le tracé par l'ouverture pratiquée sur la partie intérieure du capot protecteur supérieur (à gauche dans le sens de la coupe).



III. 44 : bord de traçage

**Pour scier d'après un tracé, procéder de la manière suivante :**

1. Retenir la machine au niveau des poignées et poser la partie avant de la plaque de base sur la pièce à travailler.
2. Positionner le bord de traçage 22 sur le tracé de la pièce à travailler.
3. Mettre la machine en marche.
4. Veiller à ce que le bord de traçage 22 et le bord avant de la lame de scie soient guidés le long du tracé.
5. Pousser la machine de manière régulière dans le sens de la coupe.
6. Arrêter la machine à la fin de la coupe.
  - ✓ Le sciage d'après tracé est terminé.

### 8.10 Sciage avec le guide parallèle

Le guide parallèle C sert au sciage parallèle par rapport à un chant déjà présent. Le guide peut être posé aussi bien à droite (côté moteur) qu'à gauche (côté outil) sur la machine. L'écart réglable possible est de 195 à 405 mm [7,68 à 15,94 in] sur le côté droit et de 47 à 200 mm [1,85 à 7,87 in] sur le côté gauche. Dans la plage de 195 à 260 mm [7,68 à 10,24 in], la machine doit être réglée de 10 mm [0,4 in] environ vers le haut, pour que la butée puisse être poussée sous le carter du moteur.

La largeur réglée peut être relevée sur les graduations des barres de guidage. Les chants de la plaque de base marqués en rouge servent d'indicateurs.

## Avertissement



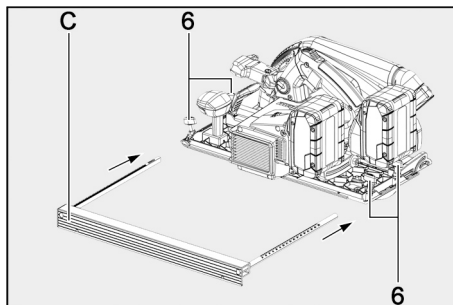
### Risque de blessure dû au non-fonctionnement du capot protecteur

Si le guide parallèle est utilisé en-dessous de la cote minimum, il risque d'entraver le fonctionnement du capot protecteur inférieur. Il est possible que la lame de scie soit librement accessible.

- N'utiliser le guide parallèle que dans les plages autorisées pour la coupe. Respecter pour cela les graduations sur les barres de guidage.

### Pour mettre le guide parallèle en place, procéder de la manière suivante :

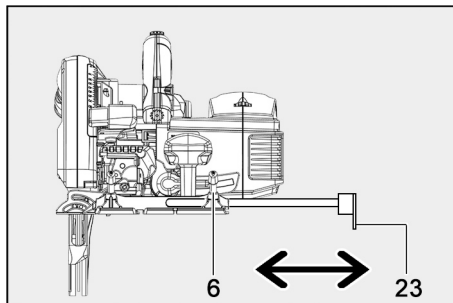
1. Dévisser les vis à ailette 6 des deux côtés.
2. Placer le guide parallèle C dans le guidage prévu à cet effet.
  - Ce dernier peut être logé du côté gauche ou droit de la machine.
3. Resserrer les vis à ailettes 6 des deux côtés.
  - ✓ La butée parallèle est mise en place.



III. 45 : mise en place du guide parallèle

### Pour régler la largeur de coupe, procéder de la manière suivante :

1. Dévisser les vis à ailette 6 des deux côtés.
2. Régler le guide parallèle.
3. Resserrer les vis à ailettes 6 des deux côtés.
  - ✓ La largeur de coupe est réglée



III. 46 : réglage de la largeur de coupe à l'aide du guide parallèle



En outre, si on le retourne simplement (la languette de guidage 23 étant dirigée vers le haut), le guide parallèle peut également servir de double appui pour améliorer le guidage de la scie circulaire portative.

La machine avec le guide parallèle peut être également guidée le long d'une règle de guidage ou d'une barrette en bois fixée sur la pièce à usiner. Pour cela, le guide parallèle doit être tourné pour que la languette de guidage 23 soit dirigée vers le haut.

### 8.11 Travail avec des accessoires supplémentaires

Divers accessoires supplémentaires sont disponibles pour la machine. Une vue d'ensemble se trouve au chapitre 11 Accessoires supplémentaires.

Certains types d'utilisation sont explicités par la suite.

#### 8.11.1 Travail avec le rouleau-guide

Le rouleau-guide I sert à travailler parallèlement à un bord déjà présent. Le guide peut être posé aussi bien à droite (côté moteur) qu'à gauche (côté outil) sur la machine. L'écart réglable possible est de 40 à 280 mm [1,57 à 11,02 in] sur le côté droit et de 12 à 48 mm [0,47 à 1,89 in] sur le côté gauche.

La largeur réglée peut être relevée sur les graduations des barres de guidage. Les chants de la plaque de base marqués en rouge servent d'indicateurs.

## ⚠ Avertissement



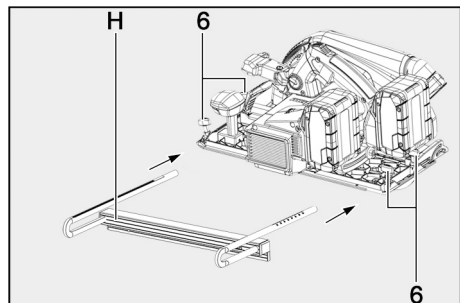
### Risque de blessure dû au non-fonctionnement du capot protecteur

Si le rouleau-guide est utilisé en-dessous de la cote minimum, il risque d'entraver le fonctionnement du capot protecteur inférieur. Il est possible que la lame de scie soit librement accessible.

- N'utiliser le rouleau-guide que dans les plages autorisées pour la coupe. Respecter pour cela les graduations sur les barres de guidage.

### Pour mettre le rouleau-guide en place, procéder de la manière suivante :

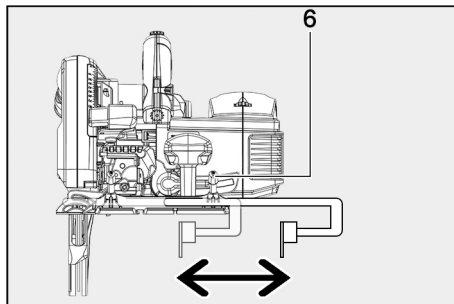
1. Dévisser les vis à ailette 6 des deux côtés.
2. Placer le rouleau-guide H dans le guidage prévu à cet effet.
  - Ce dernier peut être logé du côté gauche ou droit de la machine.
3. Resserrer les vis à ailettes 6 des deux côtés.
  - ✓ Le rouleau-guide est mis en place.



Ill. 47 : mise en place du rouleau-guide

**Pour régler la largeur de coupe, procéder de la manière suivante :**

1. Dévisser les vis à ailette 6 des deux côtés.
  2. Régler le rouleau-guide.
  3. Resserrer les vis à ailettes 6 des deux côtés.
- ✓ La largeur de coupe est réglée



Ill. 48 : réglage de la largeur de coupe à l'aide du rouleau-guide

### 8.11.2 Travail avec le dispositif de guidage



La description du dispositif de guidage se trouve dans le mode d'emploi « Dispositif de guidage L/M/ML/S » joint.

### 8.12 Sciage de panneaux sandwich

#### **Avertissement**



#### **Risque de blessure dû au non-fonctionnement du capot protecteur**

Des risques élevés de dépôts dans les zones critiques de la machine ne sont pas exclus à cause des copeaux des panneaux sandwich en acier/métal et de la poussière formée par la mousse synthétique.

- Nettoyer à fond la machine après ces travaux et vérifier le bon fonctionnement des dispositifs de sécurité, p. ex. la fermeture du capot de protection mobile inférieur.

Les panneaux sandwich doivent être usinés avec une lame de scie comme indiqué au chap. 7.5.

Il est possible d'usiner des panneaux sandwich pour murs intérieurs et extérieurs, plafonds et toitures d'une épaisseur maximale de 100 mm [3.94 in], avec des surfaces de recouvrement en tôle d'acier / aluminium d'une épaisseur de 0,4 à 0,8 mm [0.02 - 0.03 in] et un noyau en mousse de polyuréthane / polyisocyanurate.

Il est possible de scier les formes de profil suivantes : ligne, micro-ondes, microligne, rainure, microrainure, lisse, trapèze.

## 9 Entretien et maintenance

Les machines MAFELL sont conçues pour fonctionner avec très peu d'entretien.

Les roulements à billes utilisés sont graissés à vie. Après une longue période d'utilisation, nous recommandons de faire réviser la machine par un service après-vente MAFELL agréé.

### 9.1 Stockage

Nettoyer soigneusement la machine si elle ne doit pas servir pendant une période prolongée. Vaporiser les parties nues du métal avec un agent anticorrosion.

## 9.2 Transport

Lors de l'expédition des blocs batteries, les exigences particulières posées à l'emballage et au marquage doivent être respectées. Les blocs batteries Li-ion contenus sont soumises aux impératifs de la législation sur les marchandises dangereuses.

N'expédier les blocs batteries que si le boîtier est intact.

Avant l'expédition, fixer les bornes du bloc batterie avec du ruban adhésif non conducteur (par ex. ruban isolant) et emballer les blocs batteries de façon à ce qu'ils ne bougent pas dans l'emballage.

Respecter également toute autre réglementation nationale.



## 9.3 Élimination du bloc batterie

Ne pas jeter les blocs batteries dans les ordures ménagères ! Les blocs batteries défectueux ou usagés doivent être collectés séparément et recyclés dans le respect de l'environnement.

Remettre les blocs batteries à des centres de recyclage électronique certifiés.

Avant de les remettre, fixer les bornes des blocs batteries avec du ruban adhésif non conducteur (par ex. ruban isolant) et/ou placer les blocs batteries dans des sacs en plastique séparés. Même les blocs batteries usagés peuvent avoir suffisamment d'énergie pour provoquer des blessures blesser ou déclencher des incendies.

## 10 Élimination des défauts

 <b>Avertissement</b>	
	<p><b>Risque de blessures dues au démarrage brusque de la machine</b></p> <p>La machine peut démarrer brusquement, à la suite d'une inadvertance pendant le travail ou de l'élimination de défauts. De graves blessures dues à la lame de scie en rotation peuvent en être la conséquence.</p> <ul style="list-style-type: none"> <li>➤ La détermination des causes de dérangements présents et leur élimination exigent toujours une attention et précaution particulières !</li> <li>➤ Débrancher la fiche du secteur avant d'éliminer des défauts !</li> </ul>

Les dérangements les plus fréquents et leurs causes sont décrits ci-après. Pour tout autre dérangement, veuillez contacter votre concessionnaire ou directement le service après-vente MAFELL.

Dérangement	Cause	Remède
Impossible d'enclencher la machine.	Pas de bloc batterie inséré	Insérer le bloc batterie
	Bloc batterie déchargé	Charger le bloc batterie
	Bloc batterie pas encliqueté en position finale	Encliqueter complètement le bloc batterie

Dérangement	Cause	Remède
La puissance de la machine diminue.	Bloc batterie presque vide, une diode clignote sur le bloc batterie.	Recharger le bloc batterie si une seule diode est allumée.
Surcharge, la machine se coupe d'elle-même.	À la suite d'une sollicitation prolongée, la machine ou le bloc batterie a surchauffé. Un signal d'alarme retentit (bip sonore). Tant que la machine ou la batterie n'a pas refroidi, un nouveau bip retentit à chaque nouvelle tentative de mise en marche.	Laisser refroidir la machine et le bloc batterie. Le bloc batterie peut refroidir plus vite lorsqu'il est inséré dans un chargeur avec refroidissement d'air. La machine peut également refroidir plus rapidement avec une autre batterie en marche à vide.
La machine se coupe lors d'un brusque surcroît de charge.	Plus la sollicitation augmente, plus le courant nécessaire à la machine augmente aussi brusquement. Un signal d'alarme retentit (bip sonore). Cette augmentation, qui se produit lors d'un blocage brusque ou d'un contrecoup, est mesurée et aboutit à une coupure.	Couper la machine en relâchant la détente d'interrupteur. Après cela, la machine peut être réenclenchée et le travail peut se poursuivre normalement. Essayer d'éviter des blocages supplémentaires.
La machine s'arrête pendant le fonctionnement	Charge électrostatique. La fonction de protection du système électronique est activée et la machine passe à un état sécurisé. La machine s'arrête.	Utiliser un flexible d'aspiration antistatique
La lame de scie coince lors de l'avance de la machine.	Avance trop rapide	Réduire la vitesse d'avance
	Lame émoussée	Relâcher immédiatement l'interrupteur. Dégager la machine de la pièce à travailler et changer la lame de scie
	Tensions dans la pièce à travailler	Vigilance accrue lors du sciage, augmentation du risque de rebond. Élargir le trait de coupe à l'aide d'un coin.
	Mauvais guidage de la machine (par ex. suite à un guidage mains libres)	Utiliser le guide parallèle
	Surface irrégulière de la pièce à travailler	Niveler la surface

Dérangement	Cause	Remède
La lame de scie vibre dans la pièce	Lame de scie mal ajustée	Parfaire le serrage de la lame de scie
	Pièce non fixée	Fixer la pièce avec des pinces
La lame de scie reste immobile - le moteur continue de tourner	Lame de scie mal fixée	Parfaire le serrage de la lame de scie
Traces de brûlure au niveau des points de coupe	Lame de scie émoussée ou inappropriée au travail	Changer la lame de scie
Sortie de copeaux obstruée	Bois trop humide	Nettoyer la sortie de copeaux Utiliser du bois sec
	Travail trop long sans aspiration	Raccorder la machine à une installation d'aspiration externe, p. ex. aspirateur mobile pour la sciure
Capot protecteur inférieur mobile ne fermant pas ou ne fermant que lentement	Présence de copeaux et bouts de bois dans le capot protecteur inférieur mobile	Enlever les copeaux et bouts de bois
Fonte du plastique pendant le sciage	Lame de scie émoussée ou incorrecte, vitesse de coupe et/ou avance trop importante	Changer la lame de scie Réduire la vitesse de coupe et/ou l'avance
Surchauffe des extrémités des dents de scie	Lame de scie émoussée ou incorrecte, vitesse de coupe et/ou avance trop importante	Changer la lame de scie Réduire la vitesse de coupe et/ou l'avance

## 11 Accessoires supplémentaires

- Bloc puissance batterie 18 M 72 LiHD Réf. 094500
- Bloc puissance batterie 18 M 72 LiHDX Réf. 094523
- Bloc puissance batterie 18 M 99 LiHD Réf. 094503
- Bloc puissance batterie 18 M 144 LiHD Réf. 094498
- Bloc puissance batterie 18 M 144 LiHDX Réf. 094520
- Chargeur APS M 120 V Réf. 095220

Pour de plus amples informations sur les accessoires spéciaux, consulter notre site Internet : [www.mafell.com](http://www.mafell.com)

## 12 Schéma éclaté et liste de pièces de rechange

Les informations correspondantes, relatives aux pièces de rechange, se trouvent sur notre page web : [www.mafell.com](http://www.mafell.com)

## Índice de contenidos




1	Leyenda.....	73
1.1	Denominación del equipo.....	75
2	Datos del producto.....	75
2.1	Datos del fabricante.....	75
2.2	Datos técnicos.....	76
2.3	Contenido.....	76
2.4	Mandos.....	77
2.5	Uso correcto.....	78
2.6	Usos incorrectos previsibles.....	78
3	Indicaciones de seguridad general para herramientas eléctricas.....	79
3.1	Puesto de trabajo.....	79
3.2	Seguridad eléctrica.....	79
3.3	Seguridad de personas.....	80
3.4	Manipulación y uso cuidadosos de herramientas eléctricas.....	80
3.5	Uso y tratamiento de herramientas a batería.....	81
3.6	Servicio.....	81
4	Indicaciones de seguridad para sierras circulares.....	81
5	Reglas de seguridad específicas.....	85
6	Riesgos restantes.....	87
7	Equipamiento / Ajustes.....	88
7.1	Cargar el acumulador.....	88
7.2	Colocar el acumulador.....	88
7.3	Desmontar el acumulador.....	89
7.4	Sistema de aspiración de virutas.....	90
7.5	Selección de la hoja de sierra.....	90
7.6	Cambio de la hoja de sierra.....	91
7.7	Cuña de partir.....	93
8	Funcionamiento.....	94
8.1	Puesta en funcionamiento.....	94
8.2	Conectar.....	94
8.3	Luz.....	94
8.4	Ajuste de la velocidad de marcha.....	95
8.5	Desconexión.....	96
8.6	Ajuste de la profundidad de corte.....	96
8.7	Ajustes para cortes inclinados.....	97
8.8	Cortes de incisión.....	97
8.9	Serrar por la línea de trazado.....	99
8.10	Cortar con tope paralelo.....	100

---

8.11	Trabajar con accesorios especiales .....	101
8.12	Serrar paneles sándwich .....	102
9	Mantenimiento y reparación .....	102
9.1	Almacenaje .....	102
9.2	Transporte .....	103
9.3	Eliminación de la batería .....	103
10	Eliminación de fallos técnicos .....	103
11	Accesorios especiales .....	105
12	Dibujo de explosión y lista de piezas de recambio.....	105







## 1 Leyenda

Este manual de instrucciones tiene los siguientes símbolos de información generales, para guiarle por el manual y le aportarán información importante.

Símbolo	Significado
	<b>Información importante</b> Este símbolo identifica consejos para el personal operario u otra información oportuna.
	Identifica un resultado intermedio en una secuencia de acciones.
	Identifica el resultado final en una secuencia de acciones.





Tab. 9: Símbolos generales y su significado

Los símbolos de advertencia advierten de zonas de peligro, riesgos y obstáculos.

Símbolo	Significado
	<b>Indicación de advertencia</b> Este símbolo identifica las instrucciones de seguridad. De no respetar estas instrucciones, se pondrá en peligro la integridad de las personas.
	Advierte de peligros por descarga eléctrica.
	Advierte de peligros por polvo.
	Advierte de cortes.
	Advierte de cortes o amputación de extremidades.
	Advierte de peligro de incendio y explosión.

Tab. 10: Símbolos de advertencia y su significado




Los símbolos de prohibición sirven para evitar accidentes.

Símbolo	Significado
	Usar lentes protectores.
	Usar mascarilla protectora del polvo.
	Usar protección de oídos.
	Usar guantes protectores.

Tab. 11: Símbolos de prohibición y su significado

Al operar la máquina se realizar siempre acciones que pueden ser peligrosas. Estas acciones peligrosas están indicadas por advertencias que se deben respetar.






#### Clasificación de los niveles de peligro (palabras de advertencia) en advertencias

Indicación de advertencia	Significado y consecuencias por incumplimiento
 <b>Peligro</b>	<b>Peligro</b> inmediato que provoca <b>lesiones graves o la muerte</b> .
 <b>Advertencia</b>	<b>Situación</b> potencialmente peligrosa, que podría <b>provocar lesiones graves o la muerte</b> .
 <b>Precaución</b>	<b>Situación</b> potencialmente peligrosa, que podría provocar <b>lesiones leves</b> .

Tab. 12: Estructura de advertencias

### 1.1 Denominación del equipo

Los símbolos que se explican a continuación pueden aparecer en la placa indicativa o el producto.

Símbolo	Explicación	Símbolo	Explicación
110 V~	Voltios	1, 2, 3, ... I, II, III, ...	Ajuste de la velocidad de marcha
a	Amperes	min <sup>-1</sup>	Revoluciones por minuto
Hz	Hertz	∅	Diámetro de la hoja de sierra
V	Vatios	~	Corriente alterna
kg	Kilogramo (peso)		Clase de protección II
min	Minutos (tiempo)		Leer el manual de instrucciones
s	Segundos (tiempo)		Lentes protectores
n <sub>0</sub>	Velocidad nominal en marcha neutra		Protección de oídos
n	Velocidad nominal con carga normal		Mascarilla protectora del polvo



Cordless Alliance System (=CAS) es un sistema de baterías común para varios fabricantes. Encontrará más información en [www.cordless-alliance-system.com](http://www.cordless-alliance-system.com)

## 2 Datos del producto

Sobre la sierra circular manual K 105-18 con número de artículo 91D324

El número de artículo y de máquina están indicados en la placa de indicaciones de la máquina.



En la página web de MAFELL puede consultar las listas de piezas de repuesto, dibujos de explosión y otra información sobre el producto. Solo tiene que indicar el número de artículo y máquina (véase también el capítulo 12 Dibujo de explosión y lista de piezas de recambio).

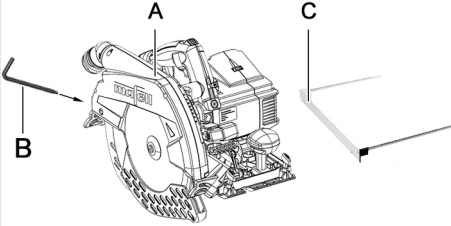
### 2.1 Datos del fabricante

MAFELL AG, Beffendorfer Straße 4, D-78727 Oberndorf / Neckar, Teléfono +49 (0)7423/812-0, Fax +49 (0)7423/812-218, E-Mail [mafell@mafell.de](mailto:mafell@mafell.de), Homepage [www.mafell.com](http://www.mafell.com)

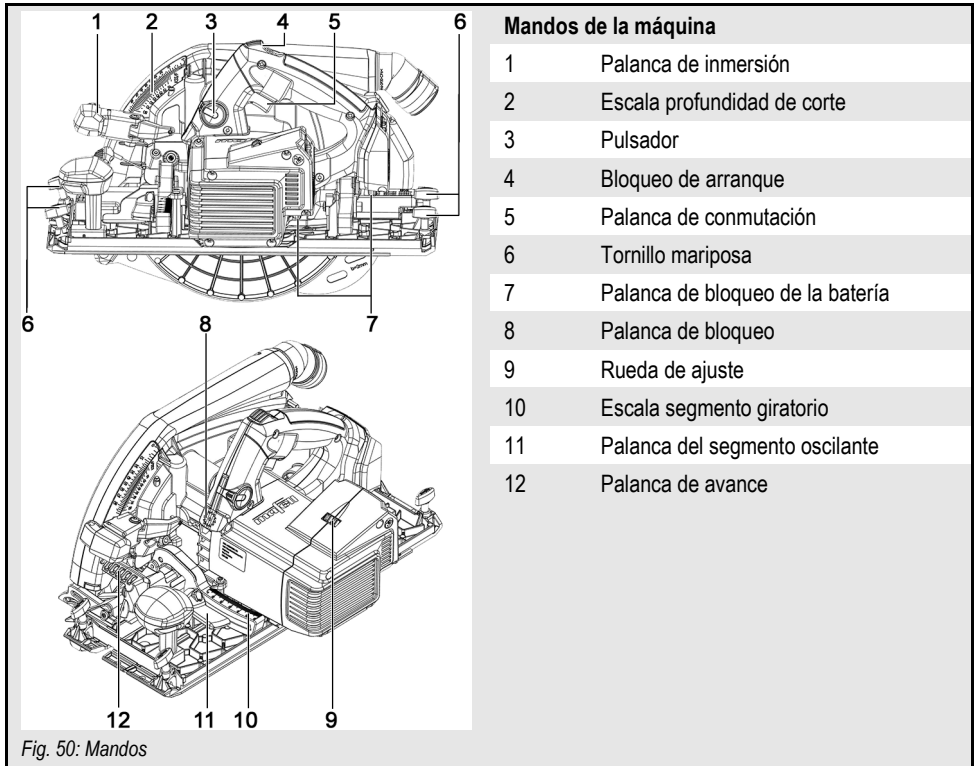
## 2.2 Datos técnicos

Tensión nominal	18 V, CC
Velocidad en vacío	2800 - 5200 rrpm
Profundidad de corte 0°/30°/45°/60°	110/94/77/55 mm [4.33/3.70/3.03/2.17 in]
Base inclinable	0° - 60°
Diámetro del disco de sierra	280 mm [11.02 in]
Grosor de cuerpo base de la hoja de sierra	1.8 mm [0.04 in]
Ancho de corte herramienta	2.8 mm [0.08 in]
Taladro de alojamiento de la hoja de sierra	30 mm [1.2 in]
Diámetro tubo de aspiración	35 mm [1.4 in]
Peso con acumulador (sin tope paralelo)	9.3 kg [20.50 lbs]
Dimensiones (ancho x largo x altura)	297 x 450 x 327 mm [11.69 x 17.72 x 12.87 in]

## 2.3 Contenido

	<table border="1"> <thead> <tr> <th colspan="2">Componentes</th> </tr> </thead> <tbody> <tr> <td>a</td> <td>Sierra circular manual</td> </tr> <tr> <td>B</td> <td>Llave hexagonal en el soporte en la máquina</td> </tr> <tr> <td>C</td> <td>Tope paralelo</td> </tr> </tbody> </table>	Componentes		a	Sierra circular manual	B	Llave hexagonal en el soporte en la máquina	C	Tope paralelo
Componentes									
a	Sierra circular manual								
B	Llave hexagonal en el soporte en la máquina								
C	Tope paralelo								
<p>Fig. 49: Contenido</p>									

## 2.4 Mandos



## 2.5 Uso correcto

La máquina únicamente se puede utilizar para cortar longitudinal y transversalmente madera maciza. Asimismo, se pueden trabajar materiales compuestos como madera laminada, tableros de madera estratificada y tipo Mdf.

También se pueden procesar materiales aislantes de fibra de madera y materiales sintéticos (poliestireno). Usar solo las hojas de sierra autorizadas por el fabricante.

Además, la máquina es apta para el procesamiento de paneles sándwich.

No está permitido el uso en modo de funcionamiento industrial.

Utilice solo los bloques de baterías y el cargador APS M (Referencia 095220) autorizados por el fabricante.

No está permitido otro uso que no sea el uso correcto indicado más arriba. No se podrá presentar reclamación alguna ante el fabricante por los daños que se desprendan del uso inapropiado; dicho uso también anula cualquier derecho de garantía o reclamación.

El uso apropiado de la máquina comprende respetar todas las instrucciones de servicio, mantenimiento y reparación de MAFELL.

## 2.6 Usos incorrectos previsible

**El uso incorrecto previsible incluye:**

- Manipulación, extraer o evitar los dispositivos de seguridad de todo tipo.
- Operar la máquina sin dispositivos de seguridad.
- Incumplimiento de indicaciones de seguridad y advertencia del manual de instrucciones.
- Retirar indicaciones de de seguridad y advertencia de la máquina.
- Manejo no autorizado de la máquina.
- Incumplimiento de indicaciones de mantenimiento y cuidados estipulados.

**No se deben utiliza hojas de sierra:**

- agrietadas o deformadas,
- acabadas en acero rápido altamente aleado,
- despuntadas por la carga excesiva del motor,
- con cuerpo de espesor superior o ancho de corte (triscado) inferior al espesor de la cuña de partir,
- que no sean aptas para la velocidad de hojas de sierra en vacío.
- Muelas abrasivas.

### 3 Indicaciones de seguridad general para herramientas eléctricas

#### Advertencia

Lea toda la información de seguridad, instrucciones, ilustraciones y datos técnicos suministrados con esta herramienta eléctrica. Si no se cumplen las siguientes instrucciones, se pueden provocar descargas eléctricas, incendio y/o lesiones graves.

**Guarde todas las indicaciones de seguridad e instrucciones para el futuro.**

El término «herramienta eléctrica» utilizado en las instrucciones de seguridad se refiere a herramientas eléctricas alimentadas mediante red eléctrica (con cable de alimentación) o herramientas eléctricas alimentadas por batería (sin cable de alimentación).

#### 3.1 Puesto de trabajo

- **Mantenga la zona de trabajo limpia, bien iluminada y ordenada.** Las zonas de trabajo desordenadas y mal iluminadas pueden provocar accidentes.
- **No trabaje con el equipo en zonas con riesgo de explosión donde haya líquidos inflamables, gases o polvos.** Las herramientas eléctricas provocan chispas que pueden incendiar el polvo o los vapores.
- **Mantenga a los niños y otras personas alejados durante el uso de la herramienta eléctrica.** Las distracciones pueden causar la pérdida de control del equipo.

#### 3.2 Seguridad eléctrica

- **La clavija de conexión del equipo tiene que ajustarse al enchufe. No se debe modificar la clavija de ningún modo. No utilice ningún adaptador junto con herramientas eléctricas con toma a tierra.** Los enchufes no modificados y las clavijas apropiadas reducen el riesgo de una descarga eléctrica.
- **Reduce el contacto corporal con superficies con toma a tierra, como las tuberías, calefacciones, cocinas y frigoríficos.** Existe un alto riesgo de descarga eléctrica si su cuerpo tiene toma a tierra.
- **Mantenga el equipo alejado de la lluvia o la humedad.** Si entra agua en la herramienta eléctrica aumenta el riesgo de una descarga eléctrica.
- **No utilice el cable para otros fines, como transportar el equipo, colgarlo o tirar del enchufe para sacarlo de la clavija. Mantenga el conducto de conexión alejado del calor, el aceite, los bordes afilados o las piezas en movimiento.** Los conductos dañados o enredados aumentan el riesgo de una descarga eléctrica.
- **Si trabaja con una herramienta eléctrica al aire libre, utilice solo cables de prolongación autorizados para el uso en exteriores.** El uso de un cable de prolongación para exteriores reduce el riesgo de una descarga eléctrica.
- **Si no se puede evitar usar la herramienta eléctrica en un ambiente húmedo, utilice un interruptor de corriente por defecto.** El uso de un interruptor de corriente por defecto reduce el riesgo de una descarga eléctrica.

### 3.3 Seguridad de personas

- **Preste atención a lo que hace y asegúrese de manipular la herramienta eléctrica con sensatez. No use ninguna herramienta eléctrica si está cansado o bajo la influencia de drogas, alcohol o medicamentos.** Un momento de distracción cuando se usa el equipo, puede provocar lesiones serias.
- **Lleve siempre equipo de protección individual y gafas de protección.** Si se usan equipos de protección individual, como mascarillas para el polvo, calzado de seguridad antideslizante, casco protector o protecciones auditivas, dependiendo del tipo y uso de la herramienta eléctrica, se reduce el riesgo de lesiones.
- **Evite la puesta en marcha involuntaria. Asegúrese de que la herramienta eléctrica está desconectada antes de transportarlo o conectarlo al suministro de corriente y/o batería.** Si al transportarlo tiene el dedo en el interruptor o el aparato está conectado al suministro de corriente, se pueden provocar accidentes.
- **Quite las herramientas de ajuste o la llave de tuerca antes de conectar la herramienta eléctrica.** Una herramienta o llave que se encuentre en una parte giratoria del equipo, puede provocar lesiones.
- **No se sobreestime. Evite una postura abnormal. Procure tener un apoyo seguro y mantenga en todo momento el equilibrio.** Así podrá controlar mejor el equipo en situaciones inesperadas.
- **Utilice ropa apropiada. No utilice ropa ancha ni joyas. Mantenga el pelo, la ropa y los guantes alejados de piezas en movimiento.** La ropa suelta, las joyas o el pelo largo puede quedar atrapado por las piezas en movimiento.
- **Si se pueden montar un dispositivo de aspiración y suspensión, se deben conectar y utilizar correctamente.** El uso de una aspiración de polvo puede reducir los riesgos producidos por el polvo.
- **No cree una falsa seguridad por la familiaridad con la herramienta eléctrica y no imponga su criterio por encima de las normas de seguridad para herramientas eléctricas.** Si se actúa sin prestar atención, se pueden provocar lesiones graves en cuestión de segundos.

### 3.4 Manipulación y uso cuidadosos de herramientas eléctricas

- **No sobrecargue el equipo. Utilice la herramienta eléctrica apropiada para su trabajo.** Con la herramienta apropiada trabajará mejor y más seguro en el rango de potencia.
- **No utilice ninguna herramienta eléctrica cuyo interruptor esté defectuoso.** Una herramienta eléctrica que no se pueda desconectar ni conectar es peligrosa y se tiene que reparar.
- **Desenchúfelo y /o quite la batería extraíble antes de realizar cambios en el equipo, cambiar piezas de accesorios o posar el equipo.** Esta medida de precaución evita el arranque involuntario del equipo.
- **Mantenga las herramientas eléctricas que no estén en uso fuera del alcance de los niños. No permita utilizar la herramienta eléctrica a personas que no estén familiarizadas con ella o no hayan leído las instrucciones.** Las herramientas eléctricas son peligrosas si las usan personas sin experiencia.
- **Cuide el equipo con cuidado. Compruebe si las piezas móviles funcionan correctamente y no están enganchadas. Compruebe también si hay piezas rotas o dañadas, que puedan afectar al funcionamiento del equipo. Repare las piezas dañadas antes de usar el equipo.** Muchos accidentes están provocados por herramientas eléctricas que no han sido revisadas.

- **Mantenga las herramientas de corte afiladas y limpias.** Las herramientas de corte bien cuidadas con hojas afiladas no se suelen quedar atascadas y son más fáciles de guiar.
- **Utilice herramientas eléctricas, accesorios, herramientas intercambiables etc. que cumplan estas instrucciones. Tenga también en cuenta las condiciones de trabajo y la tarea a realizar.** El uso de herramientas eléctricas para otros fines que no sean el previsto, puede provocar situaciones peligrosas.
- **Mantenga las asas y las superficies de las asas secas, limpias y sin aceite o grasa.** Si las asas o superficies de las asas están resbaladizas, no se puede manejar ni controlar la herramienta eléctrica de forma segura en situaciones inesperadas.

### 3.5 Uso y tratamiento de herramientas a batería

- **Cargue las baterías exclusivamente con un cargador recomendado por el fabricante.** Si un cargador apto para un tipo determinado de baterías se utiliza con otras baterías, se corre el riesgo de incendio.
- **Utilice solo las baterías previstas para las herramientas eléctricas.** El uso de otras baterías puede provocar lesiones y riesgo de incendios.
- **Si no está en uso, mantenga la batería alejada de clips, monedas, llaves, clavos u otros objetos metálicos pequeños que puedan causar un puenteo de los contactos.** Un cortocircuito entre los contactos de la batería puede provocar quemaduras o incendios.
- **Si se utiliza de forma incorrecta, puede salir líquido de la batería. Evite el contacto con ello. Enjuagar con agua en caso de contacto. Si el líquido entra en los ojos, pida también ayuda médica.** El líquido que salga de la batería puede provocar irritaciones en la piel o quemaduras.
- **No use ninguna batería dañada o modificada.** Las baterías dañadas o modificadas se pueden comportar de modo inesperado y provocar fuegos, explosiones o lesiones.
- **No exponga ninguna batería a fuego o temperaturas altas.** El fuego o las temperaturas superiores a 265 °F pueden provocar explosiones.
- **Siga las instrucciones para cargar y nunca cargue la batería o la herramienta a batería fuera del rango de temperatura indicado en el manual de instrucciones.** La carga incorrecta o la carga fuera del rango de temperatura autorizado puede destruir la batería y aumentar el riesgo de incendio.

### 3.6 Servicio

- **Encargue la reparación de su equipo exclusivamente a personal técnico especializado y con piezas de repuesto originales.** Así se asegurará de mantener la seguridad del equipo.
- **No realice nunca el mantenimiento de baterías dañadas.** Todo tipo de mantenimiento de las baterías tiene que ser realizado por el fabricante o centros de atención al cliente autorizados.

## 4 Indicaciones de seguridad para sierras circulares

### Procedimiento de sierra

- **Peligro: Mantenga las manos fuera de la zona de corte, evitando cualquier contacto con la hoja de sierra. Sujete con la segunda mano la empuñadura adicional o la carcasa del motor.** Si las dos manos sujetan la sierra, no se pueden lesionar con la hoja de sierra.

- **No coloque nunca las manos debajo de la pieza de trabajo.** La funda protectora no le puede proteger de la hoja de sierra debajo de la pieza de sierra.
- **Ajuste la profundidad de corte según el espesor de la pieza de trabajo.** Debe quedar visible menos de una altura de dientes completa debajo de la pieza de trabajo.
- **No sujete nunca la pieza de trabajo con la mano ni la coloque sobre la pierna. Fije la pieza de trabajo sobre un soporte estable.** Es importante fijar bien la pieza de trabajo. Eso minimiza el riesgo de contacto con el cuerpo, que se enganche la hoja de sierra o se pierda el control sobre la máquina.
- **Sujete la herramienta eléctrica por las superficies de agarre aisladas cuando realice trabajos en los que pueda encontrar conductos de corriente escondidos al utilizar la herramienta.** El contacto con un conducto transmisor de corriente pone en tensión las piezas de metal de la herramienta eléctrica y provoca una descarga eléctrica.
- **Para realizar cortes longitudinales, utilice siempre un tope o guía de borde recto adecuado.** Esto mejora la exactitud de corte y reduce las posibilidades de que la hoja de corte quede enganchada.
- **Utilizar siempre hojas de sierra del tamaño apropiado con broca apropiada (p. ej. en forma de gato o redondeado).** Las hojas de sierra que no se ajusten a las piezas de montaje de la sierra, funcionan de forma irregular y provocan la pérdida de control.
- **No utilice nunca arandelas o tornillos dañados o inapropiados para fijar el disco de sierra.** Las arandelas y tornillos de la hoja de sierra han sido construidas especialmente para su sierra, para un rendimiento y seguridad en el funcionamiento óptimos.

#### **Rebote - Causas y las indicaciones de seguridad correspondientes**

- Un rebote es una reacción repentina debido a una hoja de sierra enganchada, atascada o mal colocada que hace que la hoja se levante de forma incontrolada y se salga de la pieza de trabajo en dirección del operario.
- Si la hoja de sierra se engancha o atasca en la ranura de sierra, se bloquea y la potencia del motor golpea la sierra en dirección al operario.
- Si la hoja de sierra se gira en el corte de sierra o se coloca mal, se pueden enganchar los dientes del borde trasero de la hoja en la superficie de madera. Al hacer esto, la hoja de sierra se sale de la ranura y la sierra salta hacia atrás en dirección al operario.

El rebote es la consecuencia de un uso erróneo o fallido de la sierra. Se puede evitar si se toman las precauciones descritas a continuación.

- **Sujete la máquina con las dos manos y coloque los brazos en una posición que permita compensar las fuerzas de rebote de la misma. No realice nunca cortes sujetando la máquina directamente ante el cuerpo.** En caso de rebote, la sierra circular puede saltar hacia atrás, pero el operario puede resistir las fuerzas de rebote mediante las medidas de precaución apropiadas.
- **Si la hoja de sierra se engancha o interrumpe el trabajo, desconecte la sierra y mantenga el material quieto hasta que la hoja de sierra se pare. No intente nunca alejar la hoja de la pieza de trabajo ni tirar hacia atrás mientras la hoja de sierra esté en movimiento, de lo contrario puede sufrirse un rebote.** Averigüe y solucione el motivo del enganche de la hoja de sierra.

- **Antes de volver a arrancar la máquina puesta en la pieza de trabajo, centre el disco de sierra en la ranura de corte y compruebe que no está bloqueado el dentado.** Si la hoja de sierra se engancha, se puede salir de la pieza de trabajo y provocar un rebote si se reinicia la sierra.
- **Siempre que se corten placas de grandes dimensiones, éstas se deben apoyar para evitar golpes al bloquearse el disco de sierra.** Las placas grandes se puede doblar por su propio peso. Las placas tienen que tener un soporte por ambos lados, tanto cerca de la ranura de la sierra como en el borde.
- **No utilice nunca hojas de sierra despuntadas o dañadas.** Las hojas de sierra con dientes romos o mal colocados provocan un mayor roce, enganches de la hoja de sierra y rebotes por una ranura de sierra demasiado estrecha.
- **Antes de proceder a cortar, fije los dispositivos para ajustar la profundidad y el ángulo de corte.** Si durante la sierra se cambian las configuraciones, se puede enganchar la hoja de sierra y provocar un rebote.
- **Ponga especial precaución al serrar paredes existentes u otras zonas que no se vean.** La hoja de sierra insertada se puede bloquear al serrar en objetos ocultos y provocar un rebote.

#### Funcionamiento de la funda inferior

- **Antes de utilizar la máquina, compruebe el correcto funcionamiento de la cubierta de protección inferior. Prohibido utilizar la máquina si no es posible mover ni cerrar correctamente la cubierta inferior. No bloquear ni fijar de alguna manera la cubierta en la posición de abierto.** Si cae la sierra al suelo de forma involuntaria, se puede doblar la funda protectora inferior. Abra la funda protectora con la palanca de avance y asegúrese de que se mueve sin problemas y toca la hoja de sierra ni otras piezas en ninguna profundidad ni ángulo de corte.
- **Compruebe el correcto funcionamiento del resorte de la cubierta protectora inferior. En caso de anomalías en la cubierta protectora inferior o el resorte, entregue la máquina al servicio técnico.** Las piezas dañadas, los depósitos pegajosos o la acumulación de virutas hacen que la funda protectora trabaje con retraso.
- **Sólo abra manualmente la cubierta inferior para realizar cortes especiales, como "inmersión" o "angular". Para abrir la cubierta inferior, accione la palanca de avance prevista. En el momento de entrar el disco de sierra en la pieza de trabajo, suelte la palanca.** Durante todos los trabajos con sierra, la funda protectora inferior debe trabajar de forma automática.
- **No coloque nunca la máquina en el banco de trabajo o en el suelo sin haber protegido la hoja de sierra colocando la cubierta protectora inferior en la posición adecuada.** Si la hoja de sierra está en marcha de inercia sin protección, moverá la sierra en la dirección contraria de corte y serrará lo que se ponga por delante. Tenga en cuenta el tiempo de marcha en inercia de la hoja de sierra.



#### Funcionamiento de la cuña de separación

- **Utilice la hoja de sierra apta para la cuña de separación.** Para que la cuña de separación tenga efecto, la matriz de la hoja de sierra tendrá que ser más fina que la cuña de separación y el ancho del diente debe ser superior al grosor de la cuña de separación.
- **Ajuste la cuña de separación como se describe en el manual de instrucciones.** Si la cuña de separación no ejerce el efecto deseado y evita el rebote, se puede deber a unas distancias, posiciones y colocaciones erróneas.

- **Utilice siempre la cuña de separación, excepto realizando cortes de inmersión.** Monte la cuña de separación después del corte de inmersión. La cuña de separación estorba a la hora de realizar cortes de inmersión y puede provocar un rebote.
- **La cuña de partir sólo tendrá efecto si se encuentra en la ranura de corte.** En el caso de cortes cortos, la cuña de separación no tiene efecto a la hora de evitar un rebote.
- **No utilice la máquina si la cuña de partir está deformada.** Una leve interferencia ya puede ralentizar el cierre de la funda protectora.

## 5 Reglas de seguridad específicas

### Dispositivos de seguridad

 <b>Peligro</b>	
	<p><b>Peligro de lesiones por falta de dispositivos de seguridad</b></p> <p>Los dispositivos descritos garantizan la seguridad en el trabajo con esta máquina, por lo tanto, no se pueden desmontar ni desactivar.</p> <ul style="list-style-type: none"> <li>➤ Compruebe el funcionamiento de los dispositivos de seguridad y posibles daños antes de empezar a trabajar.</li> <li>➤ No utilice la máquina si faltan dispositivos de seguridad o no hacen efecto.</li> </ul>

La máquina ofrece los siguientes dispositivos de seguridad:

Dispositivo de seguridad	Tipo de revisión
Cubierta de protección fija superior	Control óptico de daños
Cubierta de protección flexible inferior	Control de funcionamiento (apertura total y cierre súbito sin rebote)
Placa de soporte grande	Control óptico de daños y deformaciones
Agarraderas	Control óptico de daños
Cuña de partir	Control óptico de daños y deformaciones Control de funcionamiento de la tensión del muelle
Freno del motor	Control de funcionamiento (tiempo de freno máx. 2 segundos)
Tubo de aspiración	Control óptico de daños y obstrucción

En caso de daños o de funcionamiento erróneo de los dispositivos de seguridad, respete las indicaciones del capítulo Solución de averías. En cualquier otro caso, consulte a su distribuidor o directamente al servicio técnico de MAFELL.



### Área de trabajo

- No podrán manejar esta máquina personas menores de edad,
- El nivel de presión acústica supera los 85 dB (A). Por lo tanto, protéjase adecuadamente los oídos durante el trabajo
- Protección obligatoria de la vista.
- Protección obligatoria de las vías respiratorias.

**Indicaciones sobre el mantenimiento y reparación:**

- Por razones de seguridad, es imprescindible limpiar con regularidad la máquina, particularmente los dispositivos de ajuste y de guía.
- Solo se pueden utilizar piezas de repuesto y accesorios originales de MAFELL. De lo contrario no se aceptarán reclamaciones de garantía ni el fabricante asumirá ninguna responsabilidad.
- ¡Riesgo de lesiones al cambiar el disco de sierra! Use guantes de protección al cambiar el disco de sierra y proceda con precaución. Puede lesionarse si toca los dientes afilados del disco de sierra.
- **Cree un plan de mantenimiento periódico para su máquina. Cuando limpie la máquina, no desmonte ninguna pieza, porque es posible que coloque mal el cableado interno, se enganche o monte erróneamente los muelles de retorno del dispositivo protector.** Existen algunos detergentes, como gasolina, tetracloruro de carbono, amoníaco etc. pueden dañar las piezas de plástico.

## 6 Riesgos restantes

 <b>Advertencia</b>	
	<p><b>Riesgo de lesiones al trabajar con la máquina</b></p> <p>A pesar de utilizar la máquina conforme al uso proyectado y respetando todas las normas de seguridad aplicables, siguen existiendo riesgos, debido a la finalidad de uso, que pueden tener consecuencias para la salud.</p> <ul style="list-style-type: none"> <li>➤ Respete las indicaciones de seguridad y la información de este manual.</li> <li>➤ Trabaje siempre con máxima atención y precaución cuando manipule la máquina.</li> </ul>

Los riesgos restantes incluyen:

- Contacto con la hoja de sierra en la zona de comienzo de corte debajo de la placa de soporte.
- Contacto con la parte saliente de la hoja de sierra en la parte inferior de la pieza de trabajo durante el corte.
- Contacto lateral con los siguientes elementos giratorios: Hoja de sierra, brida de sujeción y tornillo de brida.
- Retroceso de la máquina al atascarse con la pieza de trabajo.
- Rotura o desprendimiento de la hoja de sierra o de partes de la misma.
- Daños al oído debido al trabajo intensivo sin la protección adecuada.
- Emisión de polvo de madera, nocivo para la salud, durante el trabajo intensivo sin el conveniente sistema de aspiración.
- **Una parte del polvo que se genera al serrar, lijar, taladrar y otros trabajos, contiene productos químicos, que se conoce que pueden causar cáncer, defectos de nacimiento u otros daños reproductivos. Algunos ejemplos de esos productos químicos:**
  - Plomo de pinturas con base de plomo,
  - Ácido salicílico cristalino de ladrillos y cemento y otros productos para la construcción de muros.
  - Arsénico y cromo de maderas tratadas.

El riesgo de peligro depende de la frecuencia con la que realice este trabajo. Para reducir el riesgo por estos productos químicos: trabaje en una zona bien aireada y use protección de seguridad, como mascarillas contra el polvo desarrolladas especialmente para filtrar las micropartículas.

## 7 Equipamiento / Ajustes

### 7.1 Cargar el acumulador

Se suministran los cargadores adecuados, a partir del acumulador utilizado. Para cargar utilice solo cargadores de MAFELL.

En una máquina nueva, cargue siempre primero el acumulador.



Consultar la descripción del proceso de carga en el manual suministrado "Cargador APS M".

Si el tiempo de funcionamiento es considerablemente más corto tras la carga, indica que la batería está usada y hay que sustituirla.

El acumulador está equipado con un sistema de control de temperaturas. Esto garantiza que la batería solo se cargue en un rango de temperatura óptima entre 0 °C (32 °F) y 50 °C (122 °F). De esta manera, se obtendrá una larga vida útil del acumulador.

### Advertencia



#### **Riesgo de incendio y explosión en caso de sobrecalentamiento o humedad**

Las temperaturas altas y la humedad puede provocar cortocircuitos en la batería. Existe riesgo de incendio y explosión.

- Proteger el acumulador del calor, el fuego y la humedad.
- No exponga la batería a temperaturas superiores a 50 °C (122 °F).
- Guarde la batería a una temperatura entre 10 °C (50 °F) y 30 °C (86 °F).
- Dejar enfriar el acumulador si está caliente antes de cargarlo.

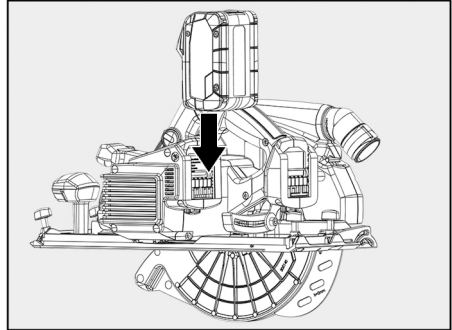
### 7.2 Colocar el acumulador

Antes de colocarla, comprobar si la tensión nominal de la batería coincide con las indicaciones de la máquina.

**ATENCIÓN:** Peligro de explosión en caso de reemplazo de batería incorrecto. Reemplazar únicamente con la idéntica o equivalente versión.

**Para colocar la batería en la máquina, proceda de la siguiente manera:**

1. Desplazar la batería cargada en la guía situada hasta que se oiga como encaja.
2. Compruebe que la batería esté colocada correctamente en la máquina.
  - ✓ La batería está colocada en la máquina.



*Fig. 51: Colocar la batería en la máquina*

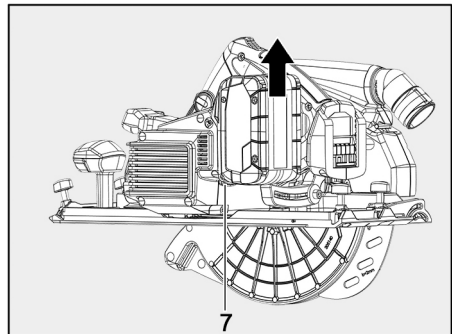


Las dos baterías se puede colocar del mismo modo.

### 7.3 Desmontar el acumulador

**Para sacar la batería, proceda de la siguiente manera:**

1. Pulse y mantenga presionada la palanca del bloqueo de la batería 7.
2. Saque la batería de la guía.
  - ✓ Se ha sacado la batería.




*Fig. 52: Desmontar el acumulador*



Las dos baterías se puede colocar del mismo modo.

## 7.4 Sistema de aspiración de virutas

<b>⚠ Precaución</b>	
	<p><b>Riesgos para la salud por el polvo de madera</b></p> <p>Los polvos que se generan al trabajar, se aspiran y pueden causar daños a la salud.</p> <ul style="list-style-type: none"> <li>➤ Los polvos nocivos para la salud tienen que aspirarse con un aspirador HEPA 13.</li> <li>➤ Utilice al trabajar una mascarilla contra el polvo.</li> </ul>

Cuando corte materiales que provoquen la formación masiva de polvo, conecte la máquina con un sistema de aspiración externo adecuado. La velocidad mínima del aire tiene que ser de 20 m/s [65 ft/sec].

El diámetro interior de la boquilla de aspiración es de 35 mm [1.4 in].

Para trabajos breves que no generen mucho polvo, se puede utilizar la bolsa de virutas suministrada como aspiración propia.

## 7.5 Selección de la hoja de sierra

Para asegurar una calidad de corte óptima, utilice una herramienta bien afilada y seleccione la herramienta de la siguiente lista según el material y el uso de esta lista:

### **Cortar madera blanda y dura transversalmente al sentido de la fibra:**

- Disco de sierra KSB-WU280 GT, disco de sierra circular HW Ø 280 x 2,8 x 30 mm, 28 dientes[11.02 x 0.11 x 1.18 in]

### **Cortar madera blanda y dura especialmente longitudinalmente a la dirección de la fibra:**

- Disco de sierra KSB-WL280 GT, disco de sierra circular HW Ø 280 x 2,8 x 30 mm, 15 dientes[11.02 x 0.11 x 1.18 in]

### **Cortar madera blanda y dura transversalmente al sentido de la fibra:**

- Disco de sierra KSB-WF280 GT, disco de sierra circular HW Ø 280 x 2,8 x 30 mm, 56 dientes[11.02 x 0.11 x 1.18 in]

### **Cortar materiales aislantes de fibra de madera:**

- Disco de sierra KSB-WF280 GT, disco de sierra circular HW Ø 280 x 2,8 x 30 mm, 56 dientes[11.02 x 0.11 x 1.18 in]

### **Cortar plásticos (poliestireno):**

- Disco de sierra KSB-WU280 GT, disco de sierra circular HW Ø 280 x 2,8 x 30 mm, 28 dientes[11.02 x 0.11 x 1.18 in]

### **Corte de paneles sándwich con núcleos de espuma de poliuretano/poliisocianurato (PU/PIR):**

- Disco de sierra KSB-SP280, disco de sierra circular HW Ø 280 x 2,6 x 30 mm, 52 dientes [11.02 x 0.1 x 1.18 in]

## 7.6 Cambio de la hoja de sierra


**Precaución**
**Riesgo de lesiones por el disco de sierra afilado**

El disco de sierra está afilado. Se puede lesionar al cambiar el disco de sierra.

- Utilizar guantes protectores para cambiar el disco de sierra.
- Proceder con precaución a la hora de cambiar el disco de sierra.

**Para cambiar la hoja de sierra, proceder de la siguiente manera:**

1. Saque la batería de la máquina.
2. Coloque la máquina en una superficie plana.
3. Accionar y mantener pulsado el pulsador 3.
4. Tirar de la palanca de bloqueo 8 hacia arriba.
  - La palanca de conmutación está bloqueada. El mecanismo de bloqueo del eje de la sierra está activado.
5. Puede colocar la cubierta protectora móvil en la posición de apertura máxima manualmente o con ayuda de la palanca de inserción previa 12.
  - Para extraer la hoja de sierra, se bloquea la cubierta protectora en la posición abierta.

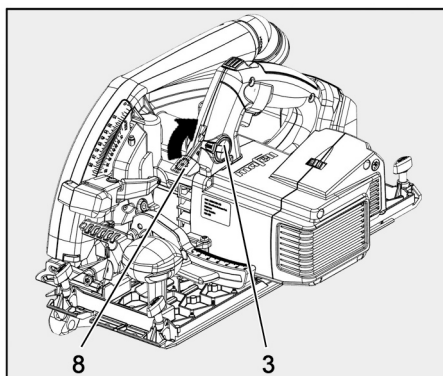


Fig. 53: Bloquear el eje de la sierra

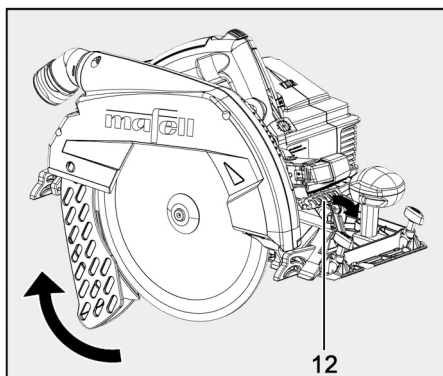


Fig. 54: Abrir la funda protectora

6. Enrosque la máquina en la unidad del motor. La hoja de sierra mira hacia arriba.
7. Colocar el desarmador hexagonal B en el tornillo de brida 13 y enrósquela **en la dirección contraria a las agujas del reloj**, hasta que la hoja de sierra esté encajada en el bloqueo.
  - La hoja de sierra se sujeta en la posición y el tornillo de brida se puede soltar.
8. Soltar el tornillo de brida 13 con la llave hexagonal B **en el sentido contrario a las agujas del reloj**.
9. Desmonte el tornillo de brida 13 y la brida de sujeción delantera 14.
10. Desmonte la hoja de sierra usada.
  - Las bridas de sujeción tienen que estar libres de cuerpos extraños.
  - Ahora se puede montar la hoja de sierra nueva.
11. Coloque la nueva hoja de sierra 15 sobre la brida trasera 17.
  - Preste atención al sentido de giro a la hora de montar la hoja de sierra. Los dientes de la sierra o la flecha de la hoja de sierra 15 tienen que estar orientados hacia la flecha 16 de la máquina.
12. Insertar la brida de sujeción 14 y el tornillo de brida 13.
13. Apretar el tornillo de brida 13 con la llave hexagonal B **en el sentido de las agujas del reloj**.
  - La hoja de sierra está fijada.

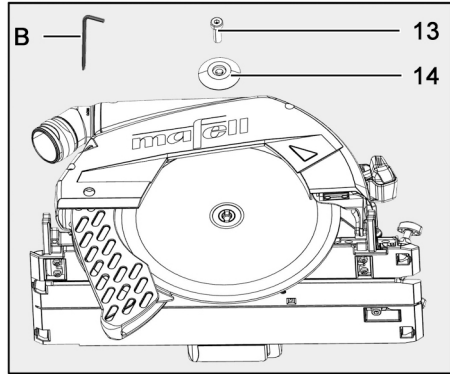


Fig. 55: Retirar la hoja de sierra usada

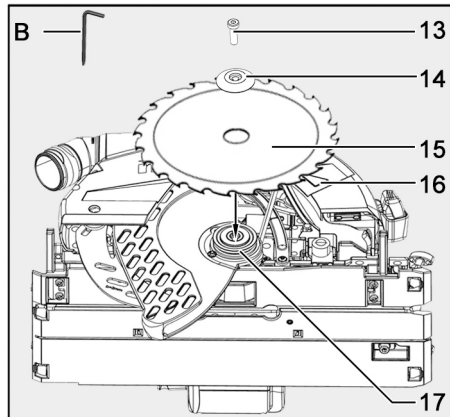


Fig. 56: Cambiar la hoja de sierra

14. Cerrar la cubierta de protección flexible.
15. Presione la palanca de bloqueo 3 hacia abajo para cerrar la cubierta protectora móvil.
  - El mecanismo de bloqueo del eje de la sierra está desactivado.
  - La palanca de conmutación está desbloqueada.
  - ✓ Se ha cambiado el disco de sierra.

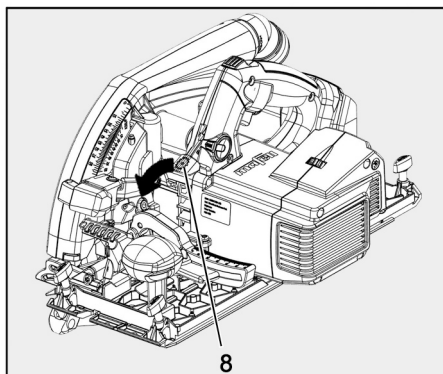


Fig. 57: Desbloquear la palanca de conmutación

### 7.7 Cuña de partir

La cuña de partir evita que se atasque la hoja de sierra al realizar cortes longitudinales. La cuña de separación gira hacia arriba cuando la máquina penetra en la pieza. Una vez que se haya abierto la ranura detrás de la hoja de sierra al avanzar la máquina hacia delante, la cuña de partir vuelve a su posición normal.

La distancia correcta con la hoja de sierra se muestra en la figura.

#### Para ajustar la distancia de cuña de partir, proceda de la siguiente manera:

1. Saque la batería de la máquina.
2. Para cambiar el ajuste, suelte el tornillo 18 con la llave hexagonal B **en el sentido contrario a las agujas del reloj**.
3. Mueva la cuña de partir desplazándola en la ranura longitudinal.
  - Respetar la distancia máxima con el disco de sierra (ver fig. 58).
4. Después apretar el tornillo 18 de nuevo con la llave hexagonal B **en el sentido de las agujas del reloj**.
  - ✓ La distancia de la cuña de partir está ajustada.

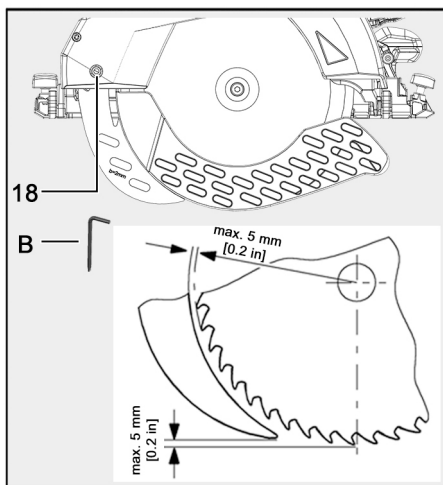


Fig. 58: Distancia de la cuña de partir a la hoja de sierra



La cuña de separación accionada por resorte elimina la necesidad de desmontar y montar la cuña de separación para realizar cortes de inmersión.

## 8 Funcionamiento

### 8.1 Puesta en funcionamiento

#### Advertencia

Cada persona encargada del manejo de la máquina ha de estar familiarizada con el manual de instrucciones y, en particular, con el apartado "Instrucciones de seguridad".

### 8.2 Conectar

**Para conectar la máquina, proceda de la siguiente manera:**

1. Presionar el dispositivo de bloqueo de conexión 4 hacia delante para desbloquear.
2. Accionar y sujetar la palanca de mando 5 con el dispositivo de bloqueo de conexión presionado.
3. Suelte el dispositivo de bloqueo 4.
  - ✓ La máquina está conectada

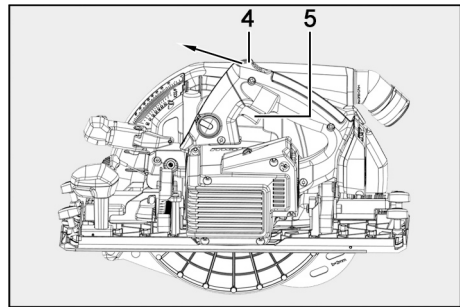


Fig. 59: Conectar la máquina



Puesto que se trata de un interruptor sin bloqueo, la máquina sólo funcionará manteniendo accionada esta palanca. Gracias al concepto de motor utilizado, la máquina se para muy rápido tras la desconexión. (Freno del motor)

### 8.3 Luz

La máquina está equipada para iluminar grandes áreas de la zona de trabajo con un módulo de luz.

Al conectar la máquina, se activa también el módulo de luz.

Si la máquina está parada durante un tiempo prolongado, se desactiva automáticamente el módulo de luz.

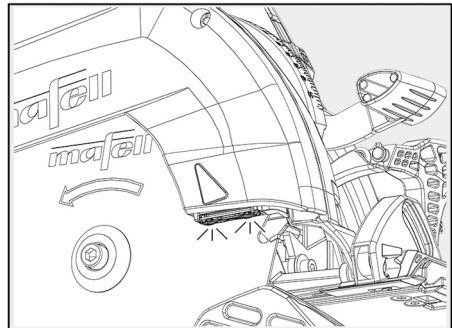


Fig. 60: Módulo de luz de la máquina

#### 8.4 Ajuste de la velocidad de marcha

Para ajustar la velocidad, proceder de la siguiente manera:

1. Ajustar el nivel con la rosca de ajuste 9.
  - Con la rosca 9 se puede configurar la velocidad de la hoja de sierra entre 2800 y 5200 rpm.
  - ✓ Se ha ajustado la velocidad.

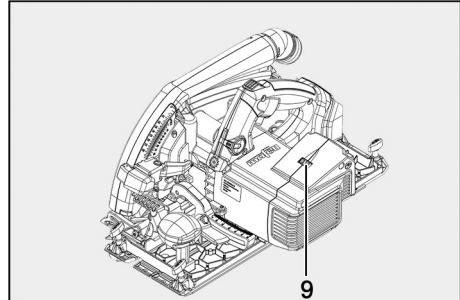


Fig. 61: Ajustar la velocidad con la rosca



Gracias a un ajuste apropiado de la velocidad, puede evitar un sobrecalentamiento de los dientes de sierra y prolongar la vida útil de los discos de sierra.

Consulte la siguiente tabla para el ajuste correcto de la velocidad de la hoja de sierra según el uso y el material:

Materiales	Nivel	Velocidad rpm
Plásticos (poliestireno)	1	2800
Plásticos (poliestireno)	2	3250
Materiales aislantes de fibra de madera	3	3700
Madera dura, madera blanda, madera laminada, materiales de planchas revestidas, paneles sándwich	4	4100
Madera dura, madera blanda, madera laminada, materiales de planchas revestidas	5	4750
Madera dura, madera blanda, madera laminada, materiales de planchas revestidas, fibras blandas	6	5200



Las instrucciones para cortar madera también se pueden utilizar para cortar materiales plásticos estructurales. Al cortar materiales plásticos, debe realizar siempre un corte de prueba para determinar si la sierra funde el material. Si es necesario, ajuste la velocidad de corte y/o el avance y/o la hoja de sierra para minimizar/evitar que se funda el material.

## 8.5 Desconexión

Para desconectar la máquina, proceda de la siguiente manera:

1. Soltar la palanca de mando 5.
  - Gracias al freno automático integrado, el tiempo de funcionamiento hasta la parada del disco de sierra se reduce a unos 2 segundos, aproximadamente.
  - Se activará de nuevo el dispositivo de bloqueo de conexión para evitar que la sierra circular manual se ponga en marcha sin querer.
  - ✓ La máquina está desconectada.

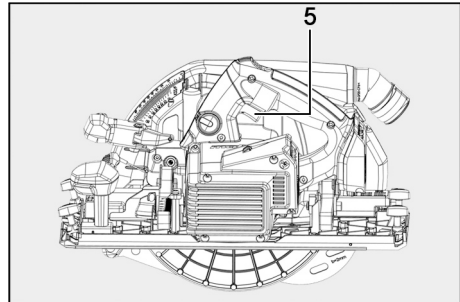


Fig. 62: Desconectar la máquina

## 8.6 Ajuste de la profundidad de corte

La profundidad de corte se puede ajustar de forma continua dentro de un rango de 0 a 88 mm [0 a 3.46 in].

Para ajustar la profundidad de corte, proceder de la siguiente manera:

1. Mantenga pulsado el pulsador 19.
2. Ajuste la profundidad de corte con la palanca de incisión 1.
  - Se puede leer la profundidad de corte en la escala 2 de la tapa. La aguja sirve para la superficie en rojo de la palanca de incisión 1.
3. Suelte el pulsador 19.
  - ✓ Se ha ajustado la profundidad de corte.

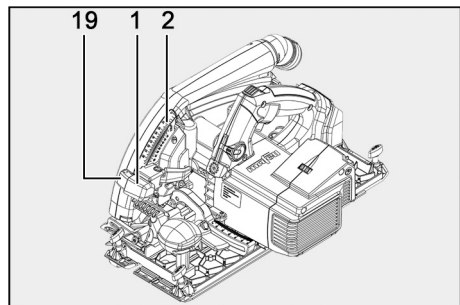


Fig. 63: Ajustar la profundidad de corte



Ajuste la profundidad de corte para cortes de separación siempre a 2 - 5 mm [0.08 bis 0.2 in] superior al espesor del material a cortar.

### 8.7 Ajustes para cortes inclinados

Para realizar cortes inclinados, se puede inclinar el grupo sierra de 0° hasta 60°.

#### Para ajustar el equipo de sierra para cortes inclinados, proceder de la siguiente manera:

1. Para inclinar el equipo de sierra, coloque la máquina de forma que se pueda girar.
2. Aflojar la palanca 11.
3. Ajuste el ángulo con ayuda de la escala 10 en la unidad de giro.
4. A continuación apretar la palanca 10.
  - ✓ El equipo de sierra está ajustado al ángulo deseado para el corte inclinado.

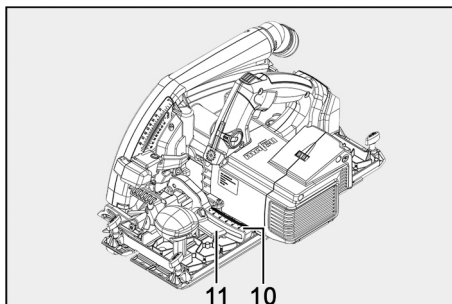


Fig. 64: Ajustar el equipo de sierra para cortes inclinados

### 8.8 Cortes de incisión

#### Advertencia



#### Si se realizan cortes de incisión, existe peligro de retroceso.

Al realizar cortes de incisión, la máquina puede rebotar si se atasca. Esto puede causar lesiones graves.

- Antes de realizar un corte de incisión, fije la máquina por el borde posterior de la placa de soporte en un tope fijado de forma segura en la pieza de trabajo.
- Durante el corte de incisión, sujete la máquina por la agarradera y desplácela con cuidado hacia delante.

#### Para realizar un corte de incisión, proceder de la siguiente manera:

1. Mantenga pulsado el pulsador 19.
2. Ajustar la máquina con la palanca de inmersión 1 en la posición superior.
3. Con la palanca previa 12 se puede abrir totalmente la funda protectora móvil, para que se pueda colocar la máquina sobre la pieza de trabajo.
  - La hoja de sierra y la cuña de partir están libres sobre el material.
4. Oriente la máquina sobre la pieza de trabajo para el corte de incisión.
5. Conectar la máquina y pulsar la palanca de incisión 1 hacia abajo.

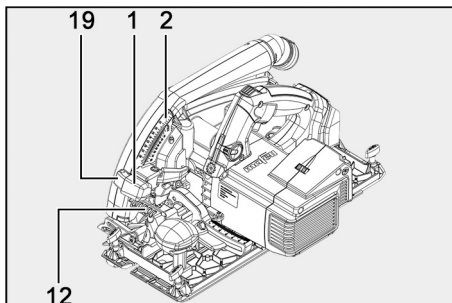


Fig. 65: Realizar el corte de incisión.

- De esta forma se introduce la hoja de sierra en la pieza de trabajo de forma vertical. La profundidad de corte se indica en la escala 2. Durante el proceso de incisión, la cuña de partir se mueve hacia arriba. Una vez que se haya abierto la ranura detrás de la hoja de sierra al avanzarse la máquina hacia delante, la cuña de partir vuelve a su posición normal.
  - La cuña de separación accionada por resorte elimina la necesidad de desmontar y montar la cuña de separación para realizar cortes de inmersión.
6. Finalice el avance al llegar al final del corte de incisión.
  7. Desconecte la máquina.
  8. Extraer el disco de sierra con la palanca de incisión 1 de la ranura de sierra.
    - ✓ Se ha realizado el corte de incisión.



En el caso de repetidos cortes con la misma profundidad, se pueden predeterminar la profundidad de inmersión.

**Para ajustar la profundidad de incisión, proceda de la siguiente manera:**

1. Ajuste la profundidad de incisión en la máquina con la palanca de incisión 1.
  2. Abra el tornillo de cabeza hexagonal 20 con ayuda de la llave hexagonal B.
    - La barra de tope 21 baja hacia abajo sobre el tope.
  3. Apriete de nuevo el tornillo de apriete 20.
    - Puede realizar varios cortes de incisión con la misma profundidad.
    - Tras finalizar los trabajos de incisión con la misma profundidad, ajuste la barra de tope para la profundidad de incisión completa en la posición superior.
- ✓ La profundidad de incisión está preajustada.

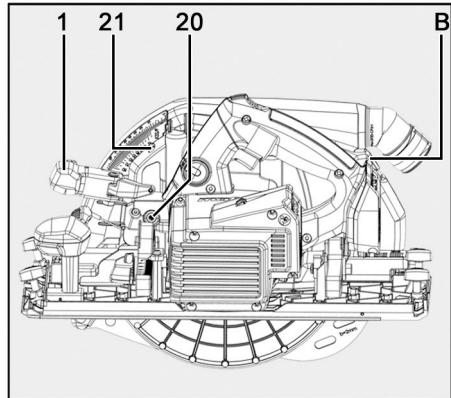


Fig. 66: Preajustar la profundidad de incisión

**Para permitir de nuevo la profundidad de incisión completa, proceda de la siguiente manera:**

1. Abra el tornillo de cabeza hexagonal 20 con ayuda de la llave hexagonal B.
2. Configurar la máquina a la profundidad de corte máxima. Para ello mueva la palanca de incisión 1 hacia abajo sobre el tope.

  - La barra de tope 21 se mueve en la posición más superior.

3. Apriete de nuevo el tornillo de apriete 20.
  - ✓ Es posible realizar de nuevo la profundidad de incisión completa.

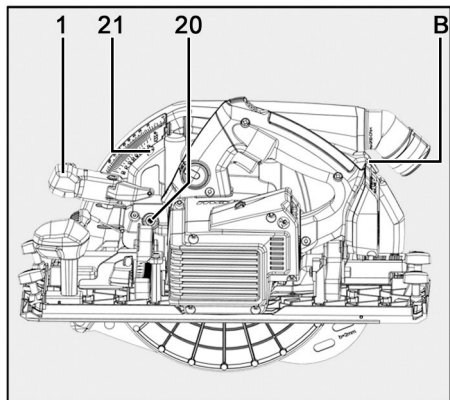


Fig. 67: Restablecer la profundidad de corte

### 8.9 Serrar por la línea de trazado

La plancha base tiene un indicador de corte móvil que se adapta automáticamente al realizar cortes inclinados. Este canto de trazado 22 corresponde al lateral interior (lateral orientado hacia el motor) de la hoja de sierra.

Para cortes inclinados, se puede ver el corte por el orificio en el lateral interior de la cubierta protectora superior (a la izquierda en la dirección de corte).

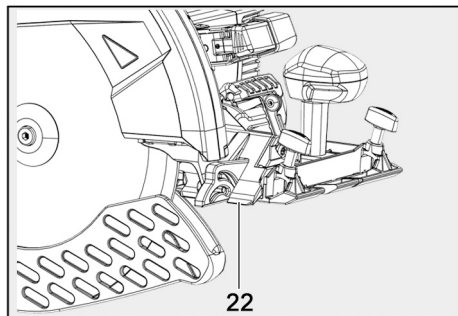


Fig. 68: Canto de trazado

**Para serrar según el trazado, proceder de la siguiente manera:**

1. Para cortar, sujete la máquina por las agarraderas y coloque la parte delantera de la placa de soporte sobre la pieza de trabajo.
2. Coloque el canto de trazado 22 en el canto de la pieza de trabajo.
3. Conecte la máquina.
4. Procure que el canto de trazado 22 y el borde delantero de la hoja de sierra se desplacen por el trazado marcado.
5. Desplace la máquina de forma uniforme en la dirección de corte.
6. Desconecte la máquina después de finalizar el corte.
  - ✓ Finalizada sierra por la línea de trazado.

### 8.10 Cortar con tope paralelo

Con ayuda del tope paralelo C se pueden realizar cortes paralelos a los bordes existentes. El tope puede fijarse tanto en el lado derecho (lateral del motor) como en el lado izquierdo (lateral de la herramienta) de la máquina. La distancia ajustable posible en el lateral derecho es de 195 - 405 mm [7,68 - 15,94 in] y la izquierda 45 mm - 200 mm [1,85 - 7,87 in]. En la zona de 195 - 260 mm [7,68 - 10,24 in] del lateral del motor, se tiene que ajustar la máquina aprox. 10 mm [0,4 in] hacia arriba para que se pueda desplazar el tope por debajo de la carcasa del motor.

El ancho configurado se puede leer en las escalas de las barras guía. Los bordes marcados de rojo de las placas base sirven como indicadores.

## Advertencia



### Riesgo de lesiones si la funda protectora no funciona.

Si se utiliza un tope paralelo inferior a la medida mínima, este puede afectar al funcionamiento de la funda protectora inferior. Es probable que entonces se pueda acceder libremente a la hoja de sierra.

- Utilice el tope paralelo en las zonas de corte permitidas. Tenga en cuenta las escalas de las barras guía.

### Para colocar el tope paralelo, proceder de la siguiente manera:

1. Aflojar los tornillos de mariposa 6 en ambos lados.
2. Coloque el tope paralelo C en la guía prevista para ello.
  - Se puede colocar en la parte izquierda o derecha de la máquina.
3. Apretar de nuevo los tornillos mariposa 6 de cada lado.
  - ✓ Se ha colocado el tope paralelo.

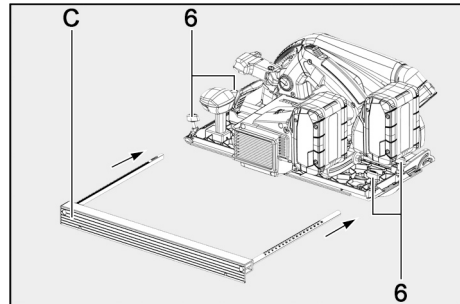


Fig. 69: Colocar el tope paralelo

### Para modificar el ancho de corte, proceder de la siguiente manera:

1. Aflojar los tornillos de mariposa 6 en ambos lados.
2. Modificar el tope paralelo.
3. Apretar de nuevo los tornillos mariposa 6 de cada lateral.
  - ✓ Se ha modificado el ancho de corte.

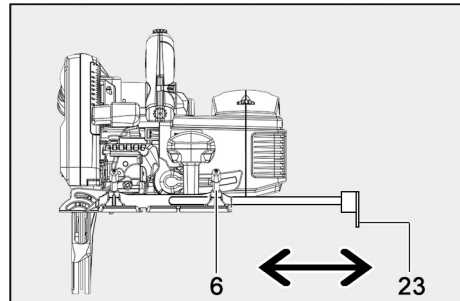


Fig. 70: Ajustar el ancho de corte con el tope paralelo



Con un simple giro del tope paralelo (la brida guía 23 indica hacia arriba), se puede usar también como soporte doble para guiar mejor la sierra circular manual.

Se puede guiar la máquina también con el tope paralelo contra una barra guía fijada a la pieza de trabajo o regleta de madera. Para ello se tiene que girar el tope paralelo, para que la lengüeta guía 23 mire hacia arriba.

### 8.11 Trabajar con accesorios especiales

Para la máquina se pueden adquirir diferentes accesorios especiales. Encontrará una lista en el capítulo 11 Accesorios especiales.

A continuación se explicarán diferentes tipos de uso.

#### 8.11.1 Trabajar con el tope inferior

El tope inferior I sirve para trabajos paralelos a un borde ya existente. El tope puede fijarse tanto en el lado derecho (lateral del motor) como en el lado izquierdo (lateral de la herramienta) de la máquina. La distancia ajustable posible del lateral derecho es de aprox. 40 – 280 mm [1,57 - 11,02 in] y en el lateral izquierdo aprox. 12 - 48 mm [0,47 - 1,89 in].

El ancho configurado se puede leer en las escalas de las barras guía. Los bordes marcados de rojo de las placas base sirven como indicadores.

## ⚠ Advertencia



### Riesgo de lesiones si la funda protectora no funciona.

Si se utiliza un tope inferior por debajo de la medida mínima, puede afectar al funcionamiento de la funda protectora inferior. Es probable que entonces se pueda acceder libremente a la hoja de sierra.

- Utilice el tope inferior en las zonas de corte permitidas. Tenga en cuenta las escalas de las barras guía.

### Para colocar el tope inferior, proceda de la siguiente manera:

1. Aflojar los tornillos mariposa 6 de cada lateral.
2. Coloque el tope inferior H en la guía prevista para ello.
  - Se puede colocar en la parte izquierda o derecha de la máquina.
3. Apretar de nuevo los tornillos mariposa 6 de cada lado.
  - ✓ Se ha colocado el tope inferior.

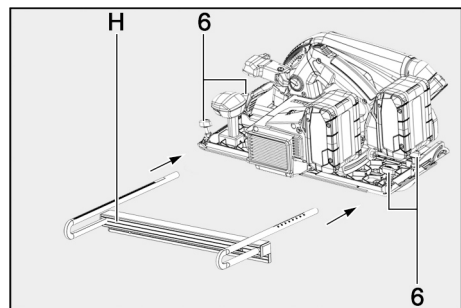


Fig. 71: Colocar el tope inferior

Para modificar el ancho de corte, proceder de la siguiente manera:

1. Aflojar los tornillos de mariposa 6 en ambos lados.
2. Cambie de sitio el tope inferior.
3. Apretar de nuevo los tornillos mariposa 6 de cada lado.
  - ✓ Se ha modificado el ancho de corte.

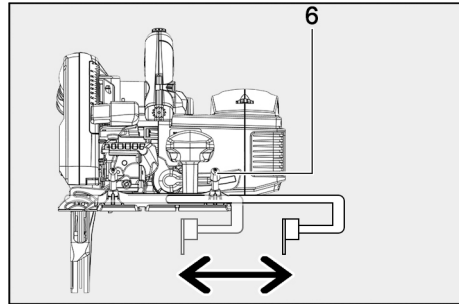


Fig. 72: Ajustar el ancho de corte con el tope inferior

### 8.11.2 Trabajar con un dispositivo guía



Consultar la descripción del dispositivo guía en el manual anexo "Dispositivo guía L/M/ML/S".

### 8.12 Serrar paneles sándwich

#### **⚠ Advertencia**



#### **Riesgo de lesiones si la funda protectora no funciona.**

Las virutas procedentes de paneles sándwich, compuestas por virutas de acero/metal y polvo de espuma plástica, generan un mayor riesgo de acumulaciones en zonas críticas de la máquina.

- Limpie a fondo la máquina después de este tipo de trabajos y verifique el correcto funcionamiento de los dispositivos de seguridad, por ejemplo, el cierre de la cubierta de protección inferior móvil.

Procese los paneles sándwich con un disco de sierra según el cap. 7.5 .

Pueden procesarse paneles sándwich para muros interiores y exteriores, techos y cubiertas, con un espesor de hasta 100 mm [3.94 in], con caras de acero/aluminio de 0,4 a 0,8 mm [0.02–0.03 in] de espesor y un núcleo de espuma de poliuretano/polisocianurato.

No se pueden serrar los siguientes formatos de perfil: Línea, microonda, microlínea, ranura, microranura, liso, trapezoidal.

## 9 Mantenimiento y reparación

Las máquinas de MAFELL requieren escaso mantenimiento.

Los rodamientos de bolas utilizados están engrasados de forma permanente. Se recomienda llevar la máquina a un centro de servicio al cliente autorizado de MAFELL para su revisión después de algún tiempo de funcionamiento.

### 9.1 Almacenaje

Limpie cuidadosamente la máquina si no se va a utilizar durante un largo período de tiempo. Pulverizar piezas de metal fino con un producto antioxidante.

## 9.2 Transporte

Para enviar baterías, hay que tener en cuenta unos requisitos especiales para el envase y la identificación. Las baterías de iones de litio incluidas están sometidas a las exigencias del derecho de transporte de mercancías peligrosas.

Utilice solo baterías cuya carcasa no esté dañada.

Tapar los polos de la batería con cinta aislante y empaquetar las baterías de forma que no se muevan en el paquete.

Respetar las directrices nacionales adicionales que pueda haber.



## 9.3 Eliminación de la batería

¡No desechar las baterías junto con los residuos domésticos! Las baterías defectuosas o usadas se tienen que recoger por separado para reciclar.

Entregar las baterías en puntos de reciclaje de baterías y productos electrónicos.

Antes de entregar las baterías, tapar los polos de la batería con cinta aislante y/o colocar las baterías por separado en bolsas de plástico. Las baterías usadas por usted pueden tener suficiente energía para lesionarse o causar incendios.

## 10 Eliminación de fallos técnicos

 <b>Advertencia</b>	
	<p><b>Riesgo de lesiones si la máquina se conecta de repente.</b></p> <p>Las distracciones al trabajar con la máquina o al solucionar fallos técnicos puede hacer que la máquina se conecte de repente. Como consecuencia, se pueden producir lesiones graves con la hoja de sierra giratoria.</p> <ul style="list-style-type: none"> <li>➤ La determinación y eliminación de fallos técnicos requieren siempre especial cuidado.</li> <li>➤ Desenchufar antes de solucionar fallos técnicos.</li> </ul>

A continuación, se indican las averías más frecuentes y sus causas. En caso de que se produzcan otros errores, diríjase a su distribuidor o directamente al servicio técnico de MAFELL.

Fallo	Causa	Ayuda
No se puede poner en marcha la máquina	No se ha colocado ninguna batería	Colocar el acumulador
	Descargar el acumulador	Cargar el acumulador
	El acumulador no encaja en la posición final	Encajar totalmente el acumulador

Fallo	Causa	Ayuda
La potencia de la máquina disminuye.	Acumulador casi vacío, un LED del acumulador parpadea.	Si solo se ilumina un LED, cargue el acumulador.
Sobrecarga, la máquina se desconecta.	Debido a que la carga se ha mantenido durante un período prolongado, la máquina o el acumulador se han sobrecalentado. Suena una señal de advertencia (pitido continuo). Mientras la máquina o la batería no se haya enfriado, volverá a sonar un pitido cada vez que se intente conectar.	Deje que la máquina y el acumulador enfrien. Puede enfriar más rápido el acumulador en un cargador con refrigeración por aire. Para enfriar la máquina más rápido puede utilizar otro acumulador en marcha en vacío.
La máquina se desconecta cuando haya un aumento repentino de la carga.	Con el aumento repentino de la carga, aumenta también de repente la corriente necesaria de la máquina. Suena una señal de advertencia (pitido continuo). Este aumento, que se produce al bloquear de repente o en caso de rebote, se mide y provoca una desconexión.	Desconectar la máquina soltando el interruptor de conexión. Después puede conectar de nuevo la máquina y trabajar con normalidad. Intente evitar más bloqueos.
La máquina se apaga durante el funcionamiento	Carga electrostática. Se activa la función de protección de la electrónica y la máquina pasa al estado seguro. La máquina se desconecta.	Usar una manguera antiestática de aspiración
El disco de sierra se atasca al avanzar la máquina	Velocidad de avance excesiva	Disminuya la velocidad de avance
	Hoja de sierra roma	Soltar el interruptor de inmediato. Aleje la máquina de la pieza de trabajo y cambie el disco de sierra.
	Tensiones en la pieza de trabajo	Máxima precaución al serrar, aumenta el riesgo de rebote. Ensanchar la ranura con una cuña.
	No se puede guiar exactamente la máquina (p.ej. por guiar con la mano libre)	Utilice el tope paralelo
	Superficie desigual de la pieza de trabajo	Alinee la superficie

Fallo	Causa	Ayuda
La hoja de sierra vibra en la pieza de trabajo	Hoja de sierra no ajustada correctamente	Apretar la hoja de sierra
	Pieza de trabajo no fijada	Fijar la pieza de trabajo con ganchos
El disco de sierra se para - el motor sigue funcionando	El disco de sierra no está fijado correctamente	Apretar la hoja de sierra
Quemaduras en las zonas de corte	Disco de sierra no apto para el proceso de corte en cuestión	Cambiar el disco de sierra
Eyector de virutas obstruido	Madera demasiado húmeda	Limpiar el eyector de virutas Utilizar madera seca
	Cortar durante un período largo sin sistema de aspiración conectado	Conectar la máquina con un sistema de aspiración externo, por ejemplo un despolvoreador
La funda protectora inferior móvil no cierra o cierra lentamente	Virutas y piezas de madera en la funda protectora inferior	Quitar las virutas y las piezas de madera
El plástico se funde al serrar	Hoja de sierra desafilada o incorrecta, velocidad de corte y/o avance demasiado elevados	Cambie el disco de sierra Reduzca la velocidad de corte y/o avance
Puntas de diente de sierra sobrecalentadas	Hoja de sierra desafilada o incorrecta, velocidad de corte y/o avance demasiado elevados	Cambie el disco de sierra Reduzca la velocidad de corte y/o avance

## 11 Accesorios especiales

- Cargador de batería 18 M 72 LiHD Referencia 094500
- Cargador de batería 18 M 72 LiHDX Referencia 094523
- Cargador de batería 18 M 99 LiHD Referencia 094503
- Cargador de batería 18 M 144 LiHD Referencia 094498
- Cargador de batería 18 M 144 LiHDX Referencia 094520
- Cargador APS M 120 V Referencia 095220

Encontrará más información sobre accesorios especiales en nuestra página web: [www.mafell.com](http://www.mafell.com)

## 12 Dibujo de explosión y lista de piezas de recambio

Encontrará la información correspondiente sobre las piezas de repuesto en nuestra página web: [www.mafell.com](http://www.mafell.com)