

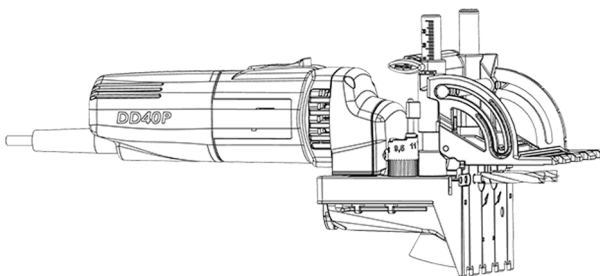
IMPORTANT
Read Before Using

IMPORTANT
Lire avant usage

IMPORTANTE
Leer antes de usar



Operating/Safety Instructions
Consignes d'utilisation/de sécurité
Instrucciones de funcionamiento y seguridad



For English Version
See page 2

Version française
Voir page 24



Versión en español
Ver la página 48

Table of contents

1	Signs and symbols	3
1.1	Identification of the device	5
2	Product specifications	6
2.1	Manufacturer's data	6
2.2	Technical data	6
2.3	Scope of delivery	7
2.4	Adjustment elements	7
2.5	Intended use	8
2.6	Foreseeable misuse	8
3	General power tool safety warnings	9
3.1	Work area safety	9
3.2	Electrical safety	9
3.3	Personal safety	9
3.4	Power tool use and care	10
3.5	Service	10
4	Specific safety rules	11
5	Residual risks	13
6	Setup / adjustment	14
6.1	Mains connection	14
6.2	Routing of the connecting cable	14
6.3	Chip extraction	14
6.4	Tool change	15
6.5	Swivel setting	16
6.6	Drilling depth setting	17
6.7	Height adjustment of the swiveling guide fence	17
7	Operation	18
7.1	Startup	18
7.2	Switching on / off	18
7.3	Drilling	18
7.4	Drilling with accessories	20
7.5	Working with special accessories	20
8	Service and maintenance	22
8.1	Storage	22
9	Troubleshooting	22
10	Optional accessories	23
11	Exploded view and spare parts list	23





1 Signs and symbols

These operating instructions contain the following general information signs to guide you, the reader, through the operating instructions and to provide you with important information.

Sign	Meaning
	Important information This sign highlights user tips and other useful information.
	Identifies an intermediate result in a sequence of actions.
	Identifies the final result of a sequence of actions.





Tab. 1: General signs and their meanings

Warning icons warn of dangerous points, risks and obstacles.

Icon	Meaning
	Warning This icon can be found at all locations where you can find information regarding your safety. Non-observance can result in extremely serious injuries.
	Warns of danger of electric shock.
	Warns of danger caused by dust.
	Warns of danger caused by drilling.

Tab. 2: Warning icons and their meanings




Mandatory icons are intended to prevent accidents.

Icon	Meaning
	Wear eye protection.
	Wear dust mask.
	Wear hearing protection.
	Wear protective gloves.

Tab. 3: Mandatory icons and their meanings

During the operation of the power tool there are always actions to be taken where hazards can occur. These potentially dangerous actions are preceded by warnings which must be observed.







Classification of the danger level (signal words) of warnings

Warning	Meaning and consequences of non-observance
 Danger	Imminent danger that will cause serious or fatal injuries.
 Warning	Potentially dangerous situation that can cause serious or fatal injuries.
 Caution	Potentially dangerous situation that can cause minor injuries.

Tab. 4: Structure of warnings

Identification of the device

The icons listed and explained below can be found on the rating plate or on the product.

Icon	Explanation	Icon	Explanation
V	Volt	1, 2, 3, ... I, II, III, ...	Rotational speed setting
A	Ampere	rpm	Revolutions per minute
Hz	Hertz	∅	Tool diameter
W	Watt	~	Alternating current
kg	Kilogram (weight)		Protection class II
min	Minutes (time)		Read operating instructions
s	Seconds (time)		Protective goggles
n ₀	Rated speed at no load		Hearing protection
n	Rated speed at normal load		Dust mask
			Danger icon pierced fingers

2 Product specifications

for DuoDowel DD40P with item number 916043

The article number and machine number are listed on the type plate of the machine.



By entering the article number and machine number on the MAFELL homepage, you can call up the spare parts lists, exploded drawings, and other product information belonging to your machine (see also Chapter 11 Exploded view and spare parts list).

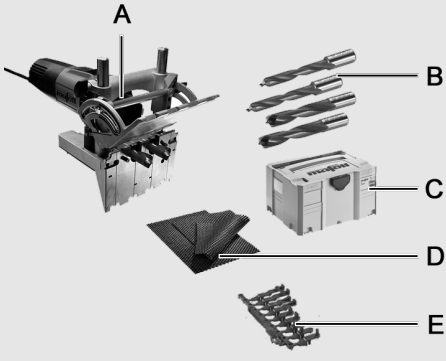
Manufacturer's data

MAFELL AG, Beffendorfer Straße 4, D-78727 Oberndorf / Neckar, Phone +49 (0)7423/812-0, Fax +49 (0)7423/812-218, e-mail: mafell@mafell.de

Technical data

Operating voltage	120 V AC
Mains frequency	60 Hz
Power consumption continuous operation	8.3 A
Speed during idling	13500 rpm
Drill spacing	32 mm [1.26 in]
Drilling depth	0 - 40 mm [0 - 1.57 in]
Swivel range	0°– 90°°
Maximum tool diameter	16 mm [0.63 in]
Minimum tool diameter	6 mm [0.24 in]
Tool seating bore	8 mm [0.32 in]
Hose connector diameter	35 mm [1.38 in]
Weight without power cord	2.8 kg [6.17 lbs]
Dimensions (width x length x height)	130 x 300 x 185 mm [5.12 x 11.81 x 7.28 in]

Scope of delivery



Components

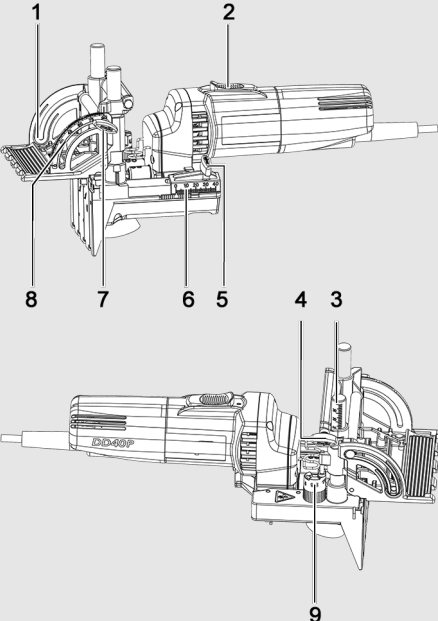
A	DuoDowel DD40P
B	2 dowel drill HW 8 mm [0.31 in] 2 dowel drill HW 10 mm [0.39 in] 2 dowel drill HW 12 mm [0.47 in]
C	Transport box
D	2 anti-slip mats
E	Ancillary guide fences

Additionally included:

- 1 2.5-mm Allen key [0.1 in] with handle in a suitcase
- 1 2.5-mm Allen key [0.1 in] on the device
- 1 glue bottle 250 ml (empty)
- 1 glue nozzle \varnothing 8 mm [0.31 in]
- 200 round wooden dowels 8x30 mm [0.31 x 1.18 in]
- 100 round wooden dowels 10x40 mm [0.39 x 1.57 in]
- 40 round wooden dowels 12x60 mm [0.47 x 2.36 in]

Fig. 1: Scope of delivery

Adjustment elements



Adjustment elements on the machine

1	Swiveling guide fence
2	Power switch
3	Height adjustment scale
4	Height adjustment wing screw
5	Depth stop wing screw
6	Depth stop
7	Swivel setting wing screw
8	Swivel setting scale
9	Turret stop

Fig. 2: Left and right adjustment elements

Intended use

The DuoDowel is only intended to be used for drilling wood, using drill bits with a diameter of 6 - 16 mm [0.24 - 0.63 in] that have been approved by Mafell. In this process, connections are made between individual parts in the workbench area.

The device is not approved for drilling holes in existing walls.



Make sure that the connecting cord does not touch any rotating parts.

The use in industrial continuous operation is not permitted.

Any use other than the intended use listed above is not permitted. The manufacturer is not liable for any damage resulting from such other use; such use shall also void all guarantee and warranty claims.

Using the machine as intended requires compliance with the MAFELL-specified terms of operation, maintenance, and repair.

Foreseeable misuse

Foreseeable misuse includes:

- Tampering with, removing and/or bypassing safety devices of any kind.
- Operating the machine without safety devices.
- Non-observance of safety and warning instructions in the operating instructions.
- Removing the safety and warning labels from the machine.
- Operating the machine by unauthorized persons.
- Failure to follow prescribed maintenance and care instructions.
- Using the machine for drilling holes in existing walls.

Never use:

- Cracked and/or deformed drill bits.
- Blunt drill bits as they impose an excessive load on the motor.
- Drill bits that are not suitable for the no-load speed of the power drill.

3 General power tool safety warnings

Warning

Read all safety warnings, instructions, illustrations and specifications provided with this power tool. Failure to follow all instructions listed below may result in electric shock, fire and/or serious injury.

Save all warnings and instructions for future reference.

The term "power tool" in the warnings refers to your mains-operated (corded) power tool or battery-operated (cordless) power tool.

Work area safety

- **Keep work area clean and well lit.** Cluttered or dark areas invite accidents.
- **Do not operate power tools in explosive atmospheres, such as in the presence of flammable liquids, gases or dust.** Power tools create sparks which may ignite the dust or fumes.
- **Keep children and bystanders away while operating a power tool.** Distractions can cause you to lose control.

Electrical safety

- **Power tool plugs must match the outlet. Never modify the plug in any way. Do not use any adapter plugs with earthed (grounded) power tools.** Unmodified plugs and matching outlets will reduce risk of electric shock.
- **Avoid body contact with earthed or grounded surfaces, such as pipes, radiators, ranges and refrigerators.** There is an increased risk of electric shock if your body is earthed or grounded.
- **Do not expose power tools to rain or wet conditions.** Water entering a power tool will increase the risk of electric shock.
- **Do not abuse the cord. Never use the cord for carrying, pulling or unplugging the power tool. Keep cord away from heat, oil, sharp edges or moving parts.** Damaged or entangled cords increase the risk of electric shock.
- **When operating a power tool outdoors, use an extension cord suitable for outdoor use.** Use of a cord suitable for outdoor use reduces the risk of electric shock.
- **If operating a power tool in a damp location is unavoidable, use a residual current device (RCD) protected supply.** Use of an RCD reduces the risk of electric shock.

Personal safety

- **Stay alert, watch what you are doing and use common sense when operating a power tool. Do not use a power tool while you are tired or under the influence of drugs, alcohol or medication.** A moment of inattention while operating power tools may result in serious personal injury.
- **Use personal protective equipment. Always wear eye protection.** Protective equipment such as a dust mask, non-skid safety shoes, hard hat or hearing protection used for appropriate conditions will reduce personal injuries.

- **Prevent unintentional starting. Ensure the switch is in the off-position before connecting to power source and/or battery pack, picking up or carrying the tool.** Carrying power tools with your finger on the switch or energising power tools that have the switch on invites accidents.
- **Remove any adjusting key or wrench before turning the power tool on.** A wrench or a key left attached to a rotating part of the power tool may result in personal injury.
- **Do not overreach. Keep proper footing and balance at all times.** This enables better control of the power tool in unexpected situations.
- **Dress properly. Do not wear loose clothing or jewellery. Keep your hair, clothing and gloves away from moving parts.** Loose clothes, jewellery or long hair can be caught in moving parts.
- **If devices are provided for the connection of dust extraction and collection facilities, ensure these are connected and properly used.** Use of dust collection can reduce dust-related hazards.
- **Do not let familiarity gained from frequent use of tools allow you to become complacent and ignore tool safety principles.** A careless action can cause severe injury within a fraction of a second.

Power tool use and care



- **Do not force the power tool. Use the correct power tool for your application.** The correct power tool will do the job better and safer at the rate for which it was designed.
- **Do not use the power tool if the switch does not turn it on and off.** Any power tool that cannot be controlled with the switch is dangerous and must be repaired.
- **Disconnect the plug from the power source and/or remove the battery pack, if detachable, from the power tool before making any adjustments, changing accessories, or storing power tools.** Such preventive safety measures reduce the risk of starting the power tool accidentally.
- **Store idle power tools out of the reach of children and do not allow persons unfamiliar with the power tool or these instructions to operate the power tool.** Power tools are dangerous in the hands of untrained users.
- **Maintain power tools and accessories. Check for misalignment or binding of moving parts, breakage of parts and any other condition that may affect the power tool's operation. If damaged, have the power tool repaired before use.** Many accidents are caused by poorly maintained power tools.
- **Keep cutting tools sharp and clean.** Properly maintained cutting tools with sharp cutting edges are less likely to bind and are easier to control.
- **Use the power tool, accessories and tool bits etc. in accordance with these instructions, taking into account the working conditions and the work to be performed.** Use of the power tool for operations different from those intended could result in a hazardous situation.
- **Keep handles and grasping surfaces dry, clean and free from oil and grease.** Slippery handles and grasping surfaces do not allow for safe handling and control of the tool in unexpected situations.

Service

- **Have your power tool serviced by a qualified repair person using only identical replacement parts.** This will ensure that the safety of the power tool is maintained.

4 Specific safety rules

Safety devices

 Danger	
	<p>Risk of injury from missing safety devices</p> <p>These devices are necessary for the safe operation of the machine. They must not be removed or rendered ineffective.</p> <ul style="list-style-type: none"> ➤ Check the proper functioning of the safety devices before you start operating the machine. ➤ Never use the machine with missing or ineffective safety devices.

The machine is equipped with the following safety devices:

Safety device	Type of check
Contact protection for drill bit	Visual check for damage
Large contact surfaces of base plate and swiveling guide fence	Visual check for damage and deformation
Handles	Visual check for damage
Switching device and brake	Functional check (braking time must not be longer than 5 seconds)
Hose connector	Visual check for damage and obstruction

If the safety devices are damaged or not functioning properly, follow the instructions in the chapter Troubleshooting. For other malfunctions, please contact your dealer or MAFELL Customer Service directly.

Work area

- Children and adolescents are not allowed to operate this machine.
- The sound pressure level at the ear exceeds 85 dB (A). Therefore, wear hearing protection when working
- Wear protective goggles.
- Wear a dust mask.



Operation information:

- The Outdoor using of this machine is prohibited.
- Keep your hands away from drilling area and drill bits.
- During the drilling process, never reach underneath the workpiece (risk of injury!).
- Never hold the workpiece in your hands or across your leg while you are drilling. Secure the workpiece on a stable support.
- Hold the power tool by the insulated grip surfaces (see also Chapter 2.4 - A) when you perform work that involves a risk of the tool hitting hidden power lines or its own power cord.
- Maintain the work area in a clean and tidy state. Ensure that there are no live lines in the work area (extension cables, own connecting cable).
- Prior to starting drilling, tighten the height and angle settings.
- Check the workpiece for foreign bodies. Do not drill into metal parts, such as nails.
- Replace damaged cables or plugs immediately. To avoid safety hazards, only MAFELL or an authorized MAFELL service workshop is allowed to replace parts.
- Prevent sharp kinks of the cable. Do not wrap the cable around the machine, especially when transporting and storing the machine.
- During your work routines, pay attention that you always put down the machine in a safe place when it is not in use. This prevents injuries due to the machine falling down.
- **After drilling, the motor unit must automatically move back to the home position.** The drill bits are then completely inside the protective cover. If this is not the case, switch off the machine immediately and repair it before you use it again.

Instructions for service and maintenance:

- Cleaning the machine regularly, especially the adjustment elements and the guiding devices, is an important safety factor.
- Ensure that only genuine MAFELL spare parts and accessories are used. Failure to do so will make warranty claims and the liability of the manufacturer null and void.
- **Prepare a periodic maintenance schedule for your machine. When you clean the machine, be careful not to disassemble any part of the machine. Reassembling the machine bears the risk that internal wires are routed incorrectly or pinched, or that return springs of the safety device are mounted incorrectly.** Certain cleaning agents, such as gasoline, carbon tetrachloride, ammonia, etc. can damage plastic parts.

5 Residual risks

 Warning	
	<p>Risk of injury when working with the machine</p> <p>Even when the machine is used as intended and in compliance with the safety regulations, there are still residual risks caused by the intended use, which can have consequences for your health.</p> <ul style="list-style-type: none"> ➤ Observe the safety instructions and information in these instructions. ➤ Always be extremely careful and cautious when you work with the machine.

The existing residual risks include:

- Touching the drill bits inside and outside the base plate.
- Touching the drill bits at the rear of the workpiece when drilling through.
- Breakage and ejection of the drill bits or parts of the drill bits.
- Ejected chips.
- Impaired hearing when working without hearing protection for long periods of time.
- Emission of harmful wood dusts during longer operation without extraction.
- **Some of the dust produced by sawing, sanding, drilling and other building work contains chemicals known to cause cancer, birth defects or other reproductive harm. Some examples of these chemicals are:**
 - Lead from lead-based paints,
 - Crystalline silica from bricks and cement and other masonry products,
 - Arsenic and chromium from chemically treated wood.


Your risk from this hazard varies with the frequency at which you perform this type of work. To reduce your exposure to these chemicals: Work in a well-ventilated area. Work only with approved safety equipment, such as dust masks that are specially designed to filter out particles of microscopic size.

6 Setup / adjustment



Mains connection

Prior to starting up the machine, check to ensure that the mains voltage corresponds to the operating voltage specified on the rating plate of the machine.

Routing of the connecting cable

⚠ Warning	
	<p>Electric shock when drilling into the connecting cable</p> <p>The connecting cable can impair safety functions and work functions and get into contact with the drilling tool. Drilling into the connecting cable of the machine energizes the metal parts of the machine and causes an electric shock. There is a risk of injury for the user.</p> <ul style="list-style-type: none"> ➤ When working, pay attention to the way the connecting cable is routed. ➤ Never drill into the connecting cable of your machine.

Chip extraction

⚠ Caution	
 	<p>Health hazards from wood dust</p> <p>The dusts produced during work can be inhaled and can cause health damage.</p> <ul style="list-style-type: none"> ➤ Harmful dust must be extracted with a HEPA 13 dust extractor. ➤ Wear a dust mask during work.

For all work that produces a significant amount of dust, connect the machine to a suitable external extraction device. The air velocity must be at least 20 m/s [65 ft/sec].

The inside diameter of the hose connector is 35 mm [1.38 in].

Tool change

Sharp drills are the basic prerequisite for perfect drilling.

Use the dowel drills listed in the chapter Special accessories. These carbide-tipped drill bits have been specially developed for the machine and are suitable for all types of wood.

Use the following procedure to change the drill bits:

1. Pull out the power plug of the machine.
2. Put down the cable where you can see it.
3. Put the disconnected machine on a flat surface.
4. Rotate the tool holding fixture (10) such that the screws (11) point upward.
5. Using the Allen key provided, turn the four screws (11) **counterclockwise** to loosen them.
6. Pull off the old drill bit from the front.
7. Insert the new drill bits (12) into the tool holding fixture until they hit the stop.
 - The flat surfaces of the new drill bits must point in the direction of the screw holes.
8. Tighten the four screws (11) **clockwise**.
 - Check to ensure that the drill bits are seated properly.
 - ✓ Drill bits changed.

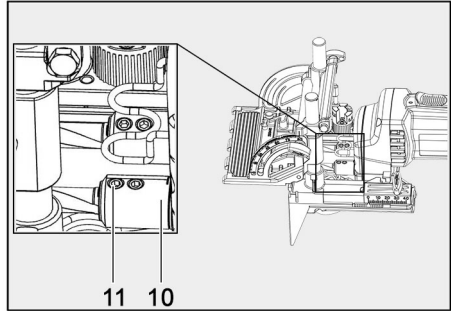


Fig. 3: Preparing the tool holding fixture

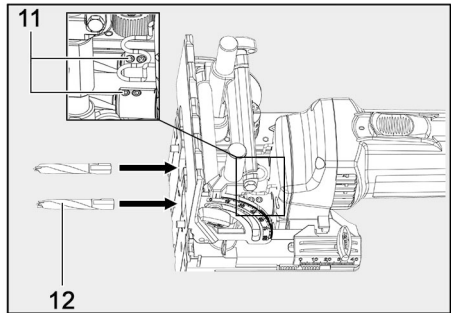


Fig. 4: Changing drill bits



Ensure that you check the zero setting of the drilling depth after you have changed the tool.

Use the following procedure to adjust the zero setting of the drilling depth:

1. Loosen the wing screw (7) for the swivel setting.
 2. Swing the swiveling guide fence (1) to 0°.
 3. Tighten the wing screw (7) for the swivel setting.
-
4. Put the machine with opened swiveling guide fence on a level surface.
 5. Push the motor unit (13) forward until the drill tip rests on this surface.
 6. Loosen the wing screw (5) for the depth stop.
 7. Push the depth stop (6) upwards until it hits the stop.
 8. Tighten the wing screw (5) for the depth stop.
 9. Push the pointer (14) to zero.
 - ✓ Zero setting of the drilling depth set.

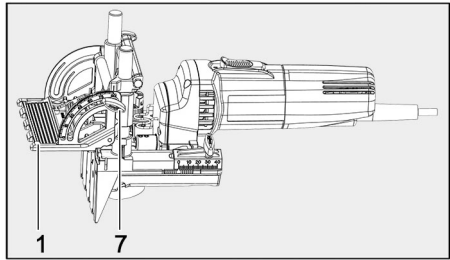


Fig. 5: Setting the swiveling guide fence to 0°

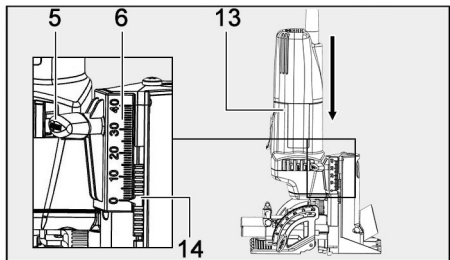


Fig. 6: Checking the zero setting

Swivel setting

The swiveling guide fence can continuously be adjusted in the range from 0° through 90°. Three detent positions allow quick adjustment of the angles 22.5° / 45° / 67.5°.

Use the following procedure to adjust the swiveling guide fence:

1. Loosen the wing screw (7) for the swivel setting.
2. Swing the swiveling guide fence (1) to the desired direction.
 - The angle is indicated by the red pointer on the scale (8).
3. Tighten the wing screw (7).
 - ✓ Swiveling guide fence adjusted.

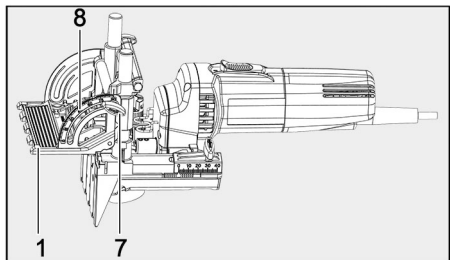


Fig. 7: Adjusting the swiveling guide fence

Drilling depth setting

The drilling depth can be set continuously in a range between 0 - 40 mm [0 to 1.57 in].

Use the following procedure to adjust the drilling depth:

1. Loosen the wing screw (5) for the depth stop.
2. Push the depth stop (6) to the desired value.
 - The value is indicated by the pointer (14).
3. Tighten the wing screw (5) for the depth stop.
 - ✓ Drilling depth adjusted.

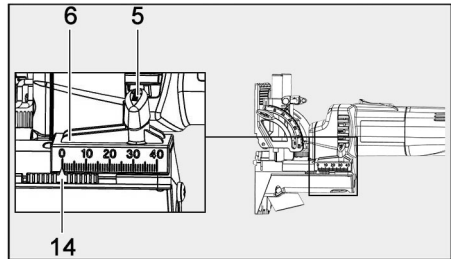


Fig. 8: Adjusting the drilling depth

Height adjustment of the swiveling guide fence

The height of the swiveling guide fence and thus the drilling distance to the drill axis can be adjusted continuously in a range between 7 and 40 mm [0.28 and 1.57 in].

Use the following procedure to adjust the height of the swiveling guide fence:

1. Loosen the wing screw (4) for the height adjustment.
2. Push the swiveling guide fence (1) to the desired height.
 - The height is indicated on the scale (3).
3. Tighten the wing screw (4).
 - ✓ Height of the swiveling guide fence adjusted.

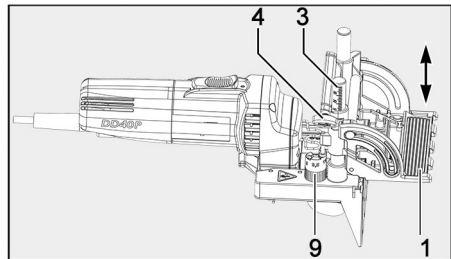


Fig. 9: Adjusting the height of the swiveling guide fence

Using the rotating turret stop (9), you can select one of five fixed preselected distances:

6.5 mm	8 mm	9.5 mm	11 mm	12.5 mm
[0.26 in]	[0.31 in]	[0.37 in]	[0.43 in]	[0.49 in]

7 Operation

Startup

Warning

These operating instructions must be brought to the attention of all persons entrusted with the operation of the machine, with particular emphasis on the chapter "Safety instructions".

Switching on / off

Use the following procedure to switch on the machine:

1. Press the power switch (2) forward until it engages.
 - ✓ The machine is switched on.

Use the following procedure to switch off the machine:

1. Press on the rear end of the power switch (2).
 - The power switch jumps to the OFF position.
 - ✓ The machine is switched off.

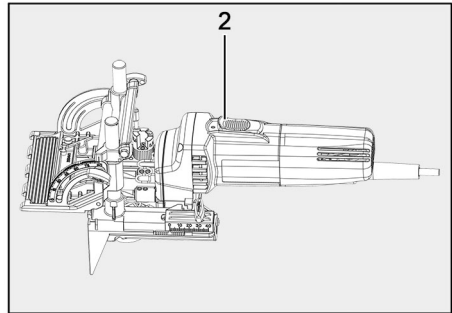


Fig. 10: Switching the machine ON/OFF

Drilling

The base plate is equipped with two resilient stop pins (15). They are used to drill the boreholes at a fixed distance of 15.5 mm [0.61 in] from the outer edge of the workpiece.

There are contact surfaces (16) on the sides of the base plate. They are to drill the boreholes at a fixed distance of 49 mm [1.93 in] from the outer edge of the workpiece.

The machine can be mounted on the left and on the right side.

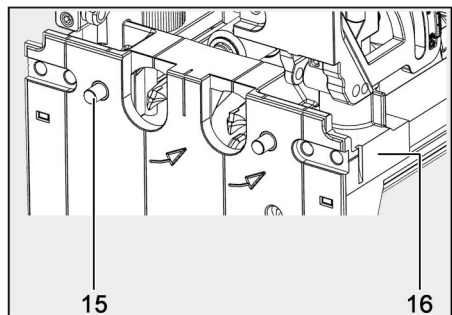


Fig. 11: Base plate with stop pins and contact surfaces

There are several orientation markings on the machine.

The base plate has markings on the top, front and bottom side:

- Contact edge of the accessory guide fences (A)
- Drill bit center (B)
- Machine center (C)

The markings on the left and right of the side surfaces correspond to the drill bit center.

The arrows on the front of the base plate show the direction of rotation of the drill bits.

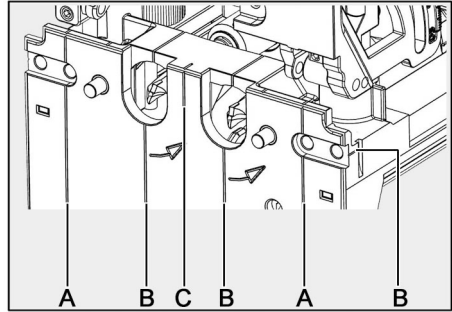


Fig. 12: Markings on the machine

Likewise, vertical drilling with the machine is possible by folding the swiveling guide fence (1). The swiveling guide fence can then be used as an additional support.

There are three markings on the swiveling guide fence. The center marking corresponds to the machine center. The markings on the left and right correspond to the corresponding drill bit center.

Ensure that the contact surfaces of machine and workpiece are aligned precisely with each other.

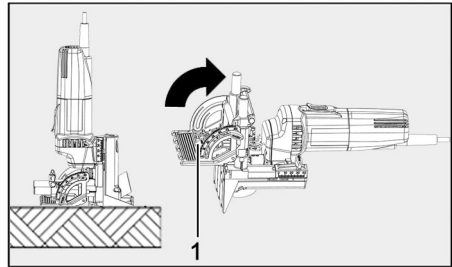


Fig. 13: Preparing the machine for vertical drilling

Use the following procedure to use the machine for drilling:

1. Clamp the workpiece or secure it against moving.
 - Use the anti-slip mats provided for this purpose.
2. Position the machine horizontally or vertically on the workpiece, as required.
3. Using the resilient stop pins or the accessories described below, bring the machine in contact with the outer edges of the workpiece.
 - Ensure that the contact surfaces of machine and workpiece are precisely aligned with each other.
4. Switch on the machine.
5. Push the motor unit forward until it hits the stop.
6. Pull back the motor housing and switch off the machine.
 - ✓ Drilling was performed.

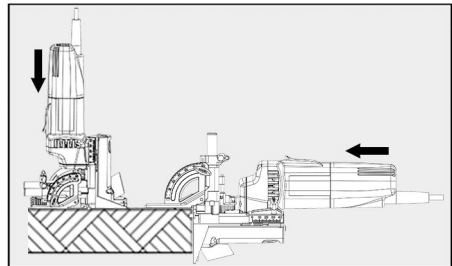


Fig. 14: Drilling with the machine

Drilling with accessories

Drilling with ancillary guide fence set

The ancillary guide fences permit different edge distances.

Edge distances:

- A = 32 mm [1.26 in] / for hole rows
- B = 43 mm [1.69 in] / as repositioning guide fence
- C = 32 mm [1.26 in] / for miters
- D = 7.5 mm [0.31 in] / as parallel guide fence for batten processing

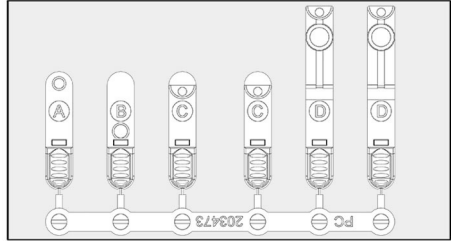


Fig. 15: Ancillary guide fences

The ancillary guide fences can be plugged into the guide fence surfaces of the base plate.

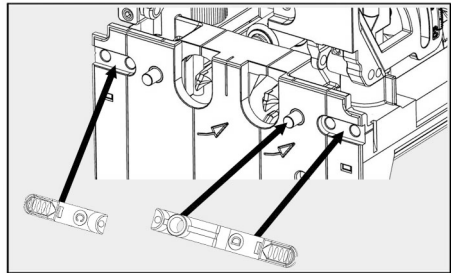


Fig. 16: Plug-in locations for ancillary guide fences

Working with special accessories

Various special accessories are available for the machine. An overview can be found in chapter 10 Optional accessories.

Some utilization methods are explained below.

Drilling with dowel gage

Use the following procedure for drilling horizontally with the dowel gage:

1. Place the dowel gage flush with the face of the workpiece and draw a marking on the left and the right.
2. Position the dowel gage at the markings and clamp it tight.

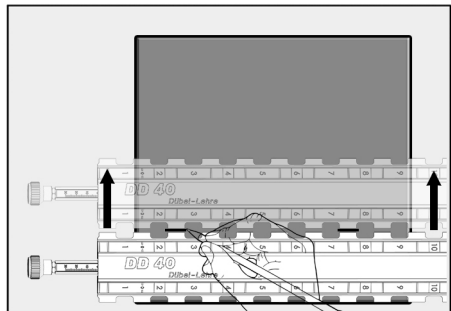


Fig. 17: Drawing the position for the dowel gage

3. Adjust to the required distance at the swiveling guide fence.
 - For this, see the information in chapter 6.7 Height adjustment of the swiveling guide fence.
4. Using the swiveling guide fence, bring it flush into contact with the workpiece.
5. At the desired position, move the toothed part of the swiveling guide fence into the gage as far as it will go, and drill the holes.
 - ✓ Horizontal drilling with the dowel gage performed.

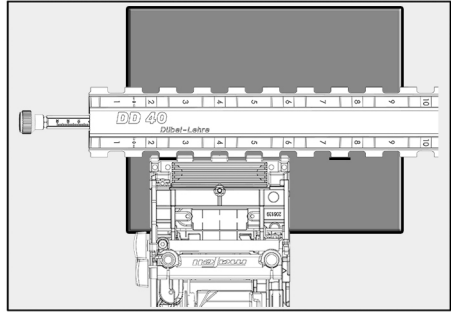


Fig. 18: Positioning the machine at the dowel gage

Use the following procedure for drilling vertically with the dowel gage:

1. Adjust to the required distance at the swiveling guide fence.
2. Using the swiveling guide fence, bring the machine flush into contact with the end face of the workpiece.
3. Draw a marking on the left and right of the base plate teeth.
 4. Position the dowel gage at the markings and clamp it tight.
 5. Positioning the machine vertically.
 6. At the desired position, move the toothed part of the base plate into the gage until it hits the stop, and drill the holes from the top.
 - ✓ Vertical drilling with the dowel gage performed.

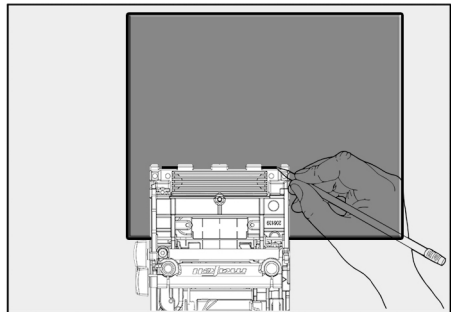


Fig. 19: Using the swiveling guide fence, bring the machine flush into contact with the end face

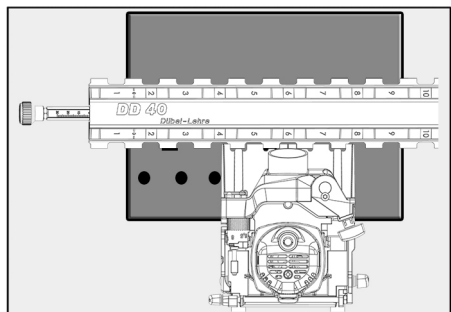


Fig. 20: Positioning the machine vertically at the dowel gage

8 Service and maintenance



MAFELL machines are of a low-maintenance design.

The installed ball bearings are lubricated for life. After a longer period of operation, MAFELL recommends that the machine be handed over to an authorized MAFELL service workshop for inspection.

Storage

Clean the machine thoroughly if you will not use it for quite some time. Spray bare metal parts with a rust inhibitor.

9 Troubleshooting

 Warning	
	<p>Risk of injury from a sudden start of the machine.</p> <p>There is a risk that the machine starts suddenly due to carelessness when working with the machine or during troubleshooting. The rotating tool can cause serious injuries.</p> <ul style="list-style-type: none"> ➤ Determining the causes of existing malfunctions and their elimination always require increased attention and caution! ➤ Pull out the mains plug before you start troubleshooting!

Some of the most common malfunctions and their causes are listed below. For other malfunctions, please contact your dealer or MAFELL Customer Service directly.

Malfunction	Cause	Elimination
Machine can not be switched on	Mains voltage missing or too low	Have the power supply checked by an electrician
	Mains fuse defective	Have the fuse replaced by an electrician
	Carbon brushes worn out	Take the machine to the MAFELL customer service workshop
Machine stops during the drilling process	Mains failure	Have the mains back-up fuses checked by an electrician
	Carbon brushes worn out	Take the machine to the MAFELL customer service workshop
Burn marks at the boreholes	Drill bit blunt or unsuitable for the operation	Sharpen or replace the drill bit
Chip ejector obstructed	Wood too damp	Dry the wood
	Long cutting operation without extraction	Connect the machine to an external extraction

10 Optional accessories

- Dowel drill - HS-TiN Ø 3 mm [0.12 in]	Order no. 090 083
- Dowel drill - HM Ø 5 mm [0.20 in]	Order no. 090 089
- Dowel drill - HM Ø 6 mm [0.236 in]	Order no. 090 096
- Dowel drill - HM Ø 6.1mm [0.20 in]	Order no. 090 120
- Dowel drill - HM Ø 7 mm [0.28 in]	Order no. 090 121
- Dowel drill - HM Ø 8 mm [0.31 in]	Order no. 090 097
- Dowel drill - HM Ø 8.1 mm [0.318 in]	Order no. 090 122
- Dowel drill - HM Ø 8.2 mm [0.322 in]	Order no. 090 123
- Dowel drill - HM Ø 10 mm [0.393 in]	Order no. 090 098
- Dowel drill - HM Ø 10.1 mm [0.397 in]	Order no. 090 124
- Dowel drill - HM Ø 10.2 mm [0.401 in]	Order no. 090 125
- Dowel drill - HM Ø 12 mm [0.472 in]	Order no. 090 099
- Dowel drill - HM Ø 12.1 mm [0.476 in]	Order no. 090 126
- Dowel drill - HM Ø 12.2 mm [0.480 in]	Order no. 090 127
- Dowel drill - HM Ø 14 mm [0.55 in]	Order no. 090 128
- Dowel drill - HM Ø 15 mm [0.59 in]	Order no. 090 129
- Dowel drill - HM Ø 16 mm [0.629 in]	Order no. 090 085
- Dowel drill - HM Ø 16.2 mm [0.637 in]	Order no. 090 130
- Dowel gage with clamping device	Order no. 203 980
- Dowel gage extension 1600 complete, 1600 mm [62.99 in] long	Order no. 203 434
- Adapter for dowel gage extension	Order no. 203 437
- Screw clamp with guide fence (for work with the dowel gage extension)	Order no. 093 280
- Screw clamp (to secure the bars on the workpiece)	Order no. 093 281
- Wooden dowels see specialized shops, DIY markets, etc.	

11 Exploded view and spare parts list




The corresponding information on the spare parts can be found on our homepage: www.mafell.com

Sommaire

1	Explication des pictogrammes.....	25
1.1	Identification de l'appareil.....	27
2	Données caractéristiques.....	28
2.1	Identification du constructeur.....	28
2.2	Caractéristiques techniques.....	28
2.3	Équipement standard.....	29
2.4	Éléments de commande.....	29
2.5	Utilisation conforme.....	30
2.6	Utilisation non conforme prévisible.....	30
3	Consignes générales de sécurité pour outils électriques.....	31
3.1	Poste de travail.....	31
3.2	Sécurité électrique.....	31
3.3	Sécurité de personnes.....	32
3.4	Manipulation et utilisation soignée d'outillage électrique.....	32
3.5	Service.....	33
4	Consignes de sécurité spécifiques.....	34
5	Risques résiduels.....	36
6	Équipement / Réglage.....	37
6.1	Raccordement au réseau.....	37
6.2	Pose du câble de raccordement.....	37
6.3	Aspiration des copeaux.....	37
6.4	Changement d'outil.....	38
6.5	Réglage du pivotement.....	39
6.6	Réglage de la profondeur de perçage.....	40
6.7	Réglage en hauteur de la butée pivotante.....	40
7	Fonctionnement.....	41
7.1	Mise en service.....	41
7.2	Mise en marche / Arrêt.....	41
7.3	Perçage.....	41
7.4	Perçage avec accessoires.....	43
7.5	Travail avec des accessoires supplémentaires.....	44
8	Entretien et maintenance.....	46
8.1	Stockage.....	46
9	Élimination des défauts.....	46
10	Accessoires supplémentaires.....	47
11	Schéma éclaté et liste de pièces de rechange.....	47





1 Explication des pictogrammes

La présente notice d'emploi contient les pictogrammes d'information générale suivants, destinés à guider le lecteur et à lui fournir des informations importantes.

Pictogramme	Signification
	Information importante Ce symbole signale la présence de suggestions pour l'utilisation et autres informations utiles.
	Indique un résultat intermédiaire dans une suite d'actions.
	Indique le résultat final d'une suite d'actions.





Tab. 5 : pictogrammes généraux et leur signification

Des mises en garde avertissent de la présence de zones dangereuses, risques et obstacles.

Pictogramme	Signification
	Mise en garde Ce pictogramme figure à chaque endroit indiquant des consignes relatives à votre sécurité. Leur non respect peut entraîner des blessures très graves.
	Met en garde contre les risques dus à une décharge électrique
	Met en garde contre les risques dus à la poussière.
	Met en garde contre les risques dus au perçage.

Tab. 6: pictogrammes de mise en garde et leur signification




Les pictogrammes d'obligation servent à la prévention des accidents

Pictogramme	Signification
	Porter une protection oculaire.
	Porter un masque de protection contre les poussières.
	Porter une protection auditive.
	Porter des gants de protection.

Tab. 7: pictogrammes d'obligation et leur signification

Pendant l'exploitation de la machine, l'utilisateur doit toujours effectuer des actions pouvant constituer une source de risques. Ces actions présentant des risques sont précédées de mises en garde devant être impérativement respectées.







Classification des niveaux de danger (mots-clés) pour les mises en garde

Mise en garde	Signification et conséquences en cas de non-respect
 Danger	Danger imminent , entraînant de graves blessures corporelles pouvant avoir une issue mortelle .
 Avertissement	Situation potentiellement dangereuse, risquant d'entraîner de graves blessures corporelles pouvant avoir une issue mortelle .
 Attention	Situation potentiellement dangereuse, risquant d'entraîner de légères blessures corporelles .

Tab. 8: conception des mises en garde

Identification de l'appareil

Les pictogrammes ci-après indiqués et explicités peuvent se trouver sur la plaque de type ou le produit.

Pictogramme	Explication	Pictogramme	Explication
V	Volt	1, 2, 3, ... I, II, III, ...	Réglage de la vitesse de rotation
A	Ampère	min ⁻¹	Rotation par minute
Hz	Hertz	∅	Diamètre de l'outil
W	Watt	~	Courant alternatif
kg	Kilogramme (poids)		Classe de protection II
min	Minutes (temps)		Lire la notice d'emploi
s	Secondes (temps)		Lunettes de protection
n ₀	Régime nominal au ralenti		Protection auditive
n	Régime nominal en charge normale		Masque anti-poussière
			Pictogramme de danger doigts transpercés

2 Données caractéristiques

pour tourillonneuse portative double DD40P avec numéro d'article 916043

Le numéro d'article et le numéro de machine sont indiqués sur la plaque de type de la machine.



Vous pouvez consulter les listes de pièces de rechange, les vues éclatées et d'autres informations relatives à votre machine en entrant le numéro d'article et le numéro de machine sur le site internet de MAFELL (voir également le chapitre 11 Schéma éclaté et liste de pièces de rechange).

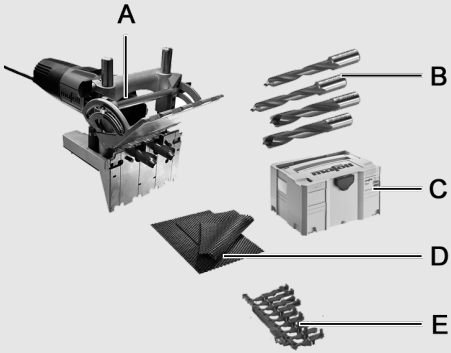
Identification du constructeur

MAFELL AG, Beffendorfer Strasse 4, D-78727 Oberndorf / Neckar, Téléphone +49 (0)7423/812-0, Fax +49 (0)7423/812- 218, e-mail mafell@mafell.de

Caractéristiques techniques

Tension de service	120 V AC
Fréquence de réseau	60 Hz
Consommation électrique en fonctionnement continu	8,3 A
Vitesse en marche à vide	13500 tr/min
Entraxe de mèches	32 mm [1,26 in]
Profondeur de perçage	0 - 40 mm [0 - 1,57 in]
Plage de pivotement	0°– 90°
Diamètre maxi d'outil	16 mm [0,63 in]
Diamètre mini d'outil	6 mm [0,24 in]
Alésage de fixation d'outil	8 mm [0,32 in]
Diamètre du manchon d'aspiration	35 mm [1,38 in]
Poids sans câble réseau	2,8 kg [6,17 lbs]
Dimensions (largeur x longueur x hauteur)	130 x 300 x 185 mm [5,12 x 11,81 x 7,28 in]

Équipement standard



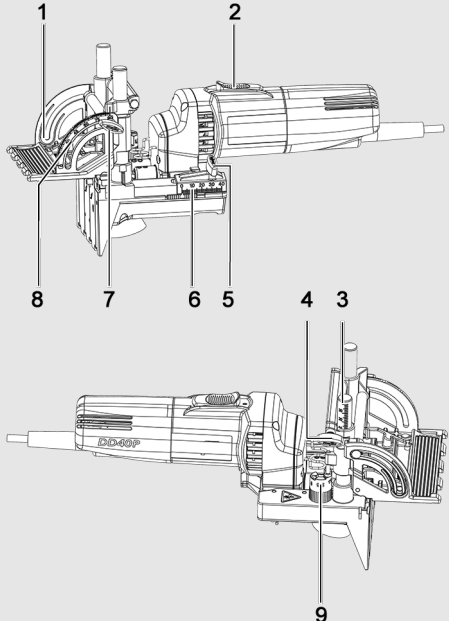
Composants	
A	Tourillonneuse portative double DD40P
B	2 mèches à tourillon - carbure 8 mm 2 mèches à tourillon - carbure 10 mm 2 mèches à tourillon - carbure 12 mm
C	Coffret transportable
D	2 tapis antiglisse
E	Guides supplémentaires

En outre :

- 1 clé à six pans de 2,5 avec poignée dans un coffret
- 1 clé à six pans de 2,5 sur l'appareil
- 1 flacon de colle de 250 ml (sans contenu)
- 1 buse d'encollage de \varnothing 8 mm
- 200 tourillons en bois ronds de 8 x 30 mm
- 100 tourillons en bois ronds de 10 x 40 mm
- 40 tourillons en bois ronds de 12 x 60 mm

Ill. 21 : équipement standard

Éléments de commande



Éléments de commande sur la machine	
1	Butée pivotante
2	Interrupteur de mise en marche
3	Graduation du réglage en hauteur
4	Vis à ailettes du réglage en hauteur
5	Vis de réglage butée de profondeur
6	Butée de profondeur
7	Vis à ailettes réglage du pivotement
8	Graduation du réglage du pivotement
9	Butée revolver

Ill. 22 : éléments de commande à gauche et à droite

Utilisation conforme

La tourillonneuse portative double est exclusivement destinée au perçage de matériaux en bois à l'aide des mèches homologuées par Mafell, d'un diamètre de 6 à 16 mm [0,24 - 0,63 in]. Pour cela, des raccords sont établis entre des pièces individuelle dans la zone de l'établi.

L'appareil n'est pas homologué pour le perçage de trous dans des murs présents.



S'assurer que le câble de raccordement n'entre en contact avec aucune pièce en rotation.

L'utilisation en service industriel continu n'est pas autorisée.

Toute autre utilisation que celle conforme précédemment indiquée est interdite. La responsabilité du fabricant ne pourra pas être mise en cause en cas de dommages résultant d'une utilisation non conforme ; une telle utilisation annule également la garantie et les droits de garantie.

Pour utiliser la machine de façon conforme, respecter les conditions de fonctionnement, maintenance et entretien dictées par MAFELL.

Utilisation non conforme prévisible

Font partie d'une utilisation non conforme prévisible :

- Le fait de manipuler, retirer et/ou déjouer des dispositifs de sécurité quels qu'ils soient.
- Le fonctionnement de la machine sans dispositifs de sécurité.
- Le non-respect des consignes de sécurité et mises en garde dans la notice d'emploi.
- Le retrait des consignes de sécurité et mises en garde apposées sur la machine.
- Commande de la machine par des personnes non autorisées.
- Le non-respect des consignes de maintenance et d'entretien.
- Utilisation de la machine pour le perçage d'alésages dans des murs présents.

Interdiction d'utiliser :

- Des mèches endommagées et des mèches déformées.
- Des mèches émoussées à cause d'une sollicitation trop importante du moteur.
- Des mèches non appropriées à la vitesse de rotation de mèche en marche à vide.

3 Consignes générales de sécurité pour outils électriques

Avertissement

Lire toutes les consignes de sécurité, instructions, illustrations et caractéristiques techniques accompagnant le présent outil électrique. Tout non-respect des instructions ci-après risque d'être à l'origine d'une décharge électrique, d'un incendie et/ou de graves blessures.

Conservez précieusement toutes les consignes de sécurité et instructions pour pouvoir les consulter à tout moment.

Le terme « outil électrique » utilisé dans les consignes de sécurité fait référence aux outils électriques fonctionnant sur secteur (avec cordon d'alimentation) ou aux outils électriques fonctionnant sur batterie (sans cordon d'alimentation).

Poste de travail

- **Maintenir la zone de travail dans un état propre, bien éclairé et bien ordonné.** Le désordre et les zones de travail non éclairées peuvent constituer des sources d'accidents.
- **Ne pas travailler avec l'appareil dans un environnement à risque d'explosions, dans lequel se trouvent des liquides, gaz ou poussières inflammables.** Des outils électriques génèrent des étincelles risquant d'enflammer la poussière ou les vapeurs.
- **Pendant l'utilisation de l'outil électrique, tenir des enfants et d'autres personnes à l'écart.** La moindre distraction risque de vous faire perdre tout contrôle de l'appareil.

Sécurité électrique

- **La fiche de l'appareil doit pouvoir rentrer dans la prise de courant. La fiche ne doit être modifiée en aucune manière. Ne pas utiliser d'adaptateur en même temps que des outils électriques mis à la terre.** Des fiches non modifiées et des prises adaptées réduisent le risque d'une décharge électrique.
- **Éviter tout contact du corps avec des surfaces reliées à la terre, telles que tubes, chauffages, cuisinières et réfrigérateurs.** Le risque de décharge électrique est accru si le corps est relié à la terre.
- **Tenir l'appareil à l'écart de la pluie ou de l'humidité.** L'infiltration d'eau dans un appareil électrique augmente le risque d'une décharge électrique.
- **Ne pas se servir du câble pour porter ou suspendre l'appareil et ne pas tirer dessus pour le débrancher de la prise de courant. Tenir le câble de raccordement à l'écart de la chaleur, de l'huile, d'arêtes vives ou de pièces en mouvement.** Des câbles de raccordement endommagés ou emmêlés augmentent le risque d'une décharge électrique.
- **Si le travail avec l'outil électrique se fait en plein air, n'utiliser que des rallonges de câbles homologuées pour l'extérieur.** L'utilisation d'une rallonge de câble convenant à l'extérieur réduit le risque d'une décharge électrique.
- **Si le fonctionnement de l'outil électrique dans un environnement humide s'avère inévitable, recourir à un disjoncteur à courant de défaut.** L'utilisation d'un disjoncteur à courant de défaut réduit le risque d'une décharge électrique.

Sécurité de personnes

- **Faire preuve de vigilance, se concentrer sur ce que l'on fait et rester raisonnable en travaillant avec un outil électrique. Ne pas utiliser d'outil électrique en étant fatigué ou en se trouvant sous l'emprise de drogues, d'alcool ou de médicaments.** Un moment d'inattention pendant l'utilisation de l'appareil suffit à entraîner de sérieuses blessures.
- **Porter un équipement de protection personnelle et toujours des lunettes de protection.** Le port d'un équipement de protection personnelle, tel que masque antipoussière, chaussures de sécurité antidérapantes, casque ou protection auditive, suivant le type d'utilisation de l'outil électrique, réduit le risque de blessures.
- **Éviter une mise en service involontaire. S'assurer que l'outil électrique est arrêté, avant de le relier à l'alimentation électrique et/ou à la batterie, de le prendre ou de le porter.** Le fait de laisser le doigt sur l'interrupteur, pendant le transport de l'appareil, ou de le brancher alors qu'il est enclenché, risque d'être à l'origine d'accidents.
- **Retirer les outils de réglage ou la clé, avant d'enclencher l'outil électrique.** Un outil ou une clé inséré(e) dans une partie en rotation de l'appareil peut être à l'origine de blessures.
- **Ne pas se surestimer. Éviter toute posture anormale. Veiller à un appui sécurisé et garder son équilibre à tout moment.** Il est ainsi plus facile de contrôler l'appareil en cas de situations inattendues.
- **Porter des vêtements appropriés. Ne porter ni vêtements larges, ni bijoux. Tenir cheveux, vêtements et gants à l'écart de pièces en mouvement.** Des vêtements amples, des bijoux ou des cheveux longs risquent d'être saisis par des pièces en mouvement.
- **Si un dispositif d'aspiration et de récupération peut être monté, le raccorder et l'utiliser correctement.** L'utilisation d'une aspiration de poussières peut minimiser les risques dus à la poussière.
- **Même en étant familiarisé avec l'outil électrique, pour l'avoir maintes fois utilisé, ne pas se sentir trop sûr de soi et ne pas se comporter de façon négligente vis-à-vis des règles de sécurité régissant les outils électriques.** Agir sans réfléchir peut être à l'origine de graves blessures en un rien de temps.

Manipulation et utilisation soignée d'outillage électrique

- **Ne pas surcharger l'appareil. Toujours utiliser l'outillage électrique adapté au travail à effectuer.** L'utilisation de l'outillage électrique adapté vous permet de mieux travailler et de le faire de manière sécurisée, avec les performances indiquées.
- **Ne pas utiliser d'outil électrique dont l'interrupteur est défaillant.** Un outil électrique ne pouvant plus être ni enclenché, ni arrêté est dangereux et doit être réparé.
- **Débrancher la fiche de la prise et/ou retirer la batterie amovible avant de procéder à des réglages de l'appareil, de remplacer des accessoires ou de mettre l'appareil de côté.** Cette mesure de précaution permet d'éviter un démarrage involontaire de l'appareil.
- **Conserver les outils électriques non utilisés hors de la portée d'enfants. Ne pas confier l'outillage électrique à des personnes n'étant pas familiarisées avec lui ou n'ayant pas lu les présentes instructions.** Les outils électriques sont dangereux s'ils sont utilisés par des personnes inexpérimentées.

- **Entretien soigneusement l'appareil. Vérifier si les pièces mobiles fonctionnent de manière irréprochable et ne se coincent pas, si des pièces sont cassées ou endommagées à tel point qu'elles entravent le fonctionnement de l'appareil. Avant d'utiliser l'appareil, faire réparer les pièces endommagées.** Ne nombreux accidents résultent d'outils électriques mal entretenus.
- **Maintenir les outils de coupe acérés et propres.** Des outils de coupes soigneusement entretenus et bien acérés se coincent moins et sont plus faciles à guider.
- **Utiliser des outils électriques, accessoires, outils insérables, etc. conformes aux présentes instructions. Tenir compte pour cela des conditions de travail et de la tâche à effectuer.** L'utilisation d'outils électriques à d'autres fins que celles pour lesquelles ils ont été conçus peut constituer une source de situations dangereuses.
- **Tenir poignées et surfaces de préhension sèches, propres et exemptes d'huile et de graisse.** Des poignées et surfaces de préhension glissantes ne permettent ni commande, ni contrôle fiable de l'outil électrique dans des situations imprévues.

Service

- **Ne confier la réparation de l'appareil qu'à du personnel spécialisé et qualifié et n'utiliser que des pièces de rechange d'origine.** Ceci garantit le maintien de la sécurité de l'appareil.

4 Consignes de sécurité spécifiques

Dispositifs de sécurité

 Danger	
	<p>Risque de blessure dû à l'absence de dispositifs de sécurité</p> <p>Ces dispositifs étant nécessaires au fonctionnement sécurisé de la machine, il est interdit de les retirer ou de les ponter.</p> <ul style="list-style-type: none"> ➤ Avant le fonctionnement, vérifier si les dispositifs de sécurité fonctionnent et s'ils sont éventuellement endommagés. ➤ Ne pas utiliser la machine avec des dispositifs de sécurité absents ou inefficaces.

La machine est équipée des dispositifs de sécurité suivants :

Dispositif de sécurité	Type de contrôle
Protection contre le contact avec la mèche	Contrôle optique du bon état
Larges plans d'appui de la plaque de base et de la butée pivotante	Contrôle visuel quant aux endommagements et déformations
Poignées	Contrôle optique du bon état
Dispositif de commande et frein	Contrôle du fonctionnement (la durée de freinage maxi ne doit pas excéder 5 secondes)
Tubulure d'aspiration	Contrôle visuel quant à l'endommagement et l'obturation

Si les dispositifs de sécurité sont endommagés ou ne fonctionnent pas correctement, respecter les consignes du chapitre Élimination des défauts. Sinon, veuillez contacter votre concessionnaire ou directement le service après-vente MAFELL.

Champ d'application

- Il est interdit à des enfants ou à des adolescents de se servir de la machine.
- Le niveau de pression acoustique à l'oreille dépasse en général 85 dB (A). En conséquence, porter une protection auditive pendant le travail
- Porter des lunettes de protection.
- Porter un masque de protection contre les poussières.

Instructions pour le fonctionnement :

- Utilisation de la machine en plein air est interdit.
- Ne mettre les mains ni dans la zone de perçage, ni sur les mèches.
- Ne jamais mettre les mains sous la pièce à usiner pendant le perçage (risque de blessure !).
- Ne jamais retenir la pièce à travailler d'une main ou d'une jambe. Bloquer la pièce à travailler sur une base stable.
- Tenir l'appareil au niveau de la poignée isolée (voir également le chapitre 2.4 - A) pour effectuer des travaux au cours desquels l'outil de coupe risquerait de sectionner des câbles électriques cachés ou le câble propre à l'appareil.
- Maintenir le rayon d'action propre et bien rangé. Veiller à ce que des câbles sous tension ne se trouvent pas dans le rayon d'action (rallonges, câble de raccordement propre).
- Avant le perçage, serrer les réglages de profondeur et d'angle.
- Vérifier que la pièce à travailler ne contient pas de corps étrangers. Ne pas percer de pièces en métal telles par ex. que des clous.
- Les câbles ou les fiches détériorés doivent être remplacés sans retard. Afin d'éviter toute menace pour la sécurité, ne confier le remplacement qu'à Mafell ou à un atelier de service après-vente agréé par MAFELL.
- Éviter de plier le câble. En particulier, ne pas enrouler le câble autour de la machine pendant le transport et le stockage de la machine.
- Veiller pendant le travail à toujours poser la machine en toute sécurité lorsqu'elle n'est pas utilisée. Ceci permet d'éviter toute blessure due à la chute de la machine.
- **À l'issue du perçage, l'unité moteur doit revenir automatiquement en position initiale.** Les mèches se trouvent alors intégralement dans la protection. Si cela n'en est pas le cas, arrêter immédiatement la machine et veiller à ce qu'elle ne puisse pas être remise en marche.

Instructions pour entretien et maintenance :

- Le nettoyage régulier de la machine et surtout des dispositifs de réglage et des guidages constitue un facteur de sécurité important.
- N'utiliser que des pièces détachées et des accessoires d'origine MAFELL. À défaut de quoi la garantie du constructeur n'est pas assurée et sa responsabilité est déguagée.
- **Élaborer un calendrier de maintenance périodique pour la machine. Lors du nettoyage de la machine, veillez à ne démonter aucune pièce de la machine, car des fils internes risquent d'être mal posés ou coincés lors du remontage, ou des ressorts de rappel du dispositif de protection mal installés.** Certains produits de nettoyage tels que l'essence, le tétrachlorure de carbone, l'ammoniac, etc. peuvent endommager des pièces en plastique.

5 Risques résiduels

 Avertissement	
	<p>Risque de blessure en travaillant avec la machine</p> <p>Même dans le cadre de l'utilisation conforme et du respect des consignes de sécurité, certains risques résiduels émanent de l'utilisation et peuvent être à l'origine de problèmes de santé.</p> <ul style="list-style-type: none"> ➤ Respecter les consignes de sécurité et informations fournies dans les présentes instructions. ➤ Toujours travailler avec une attention accrue et le maximum de vigilance en manipulant la machine.

Font également partie des risques résiduels :

- Contact avec les mèches dans et à l'extérieur de la plaque de base.
- Contact avec les mèches sur la partie arrière de la pièce lors du perçage.
- Rupture et propulsion de mèches ou de parties de mèches.
- Projection de copeaux
- Lésion de l'ouïe lors de travail long et continu sans protection auditive.
- Émission de poussières de bois nuisant à la santé, lors d'un fonctionnement prolongé sans aspiration.
- **Une partie de la poussière générée lors du sciage, ponçage, perçage et autres travaux de construction contient des produits chimiques connus pour être cancérigènes, provoquer des malformations congénitales ou d'autres atteintes à la reproduction. Voici quelques exemples de ces produits chimiques :**
 - Le plomb des peintures à base de plomb,
 - La silice cristalline provenant des briques, du ciment et d'autres produits de maçonnerie,
 - L'arsenic et le chrome provenant de bois traité chimiquement.



Le risque encouru à cause de ces dangers varie en fonction de la fréquence à laquelle ce type de travail est effectué. Pour réduire l'exposition à ces produits chimiques : travailler dans un endroit bien ventilé et utiliser des équipements de sécurité approuvés, tels que masques anti-poussières spécialement conçus pour filtrer les particules microscopiques.

6 Équipement / Réglage




Raccordement au réseau

Avant la mise en marche, vérifier que la tension du réseau correspond bien à la tension indiquée sur la plaque signalétique de la machine.

Pose du câble de raccordement

 Avertissement	
	<p>Décharge électrique en cas de perçage dans le câble de raccordement</p> <p>Le câble de raccordement risque de porter préjudice aux fonctions de sécurité et de travail et d'entrer en contact avec l'outil de perçage. Le perçage du propre câble de raccordement met les pièces métalliques de la machine sous tension et provoque une décharge électrique. Risque de blessure pour l'utilisateur</p> <ul style="list-style-type: none"> ➤ Pendant le travail, faire attention à la pose du câble de raccordement. ➤ Ne pas percer le propre câble de raccordement.

Aspiration des copeaux

 Attention	
 	<p>Dangers pour la santé dus à la poussière de bois</p> <p>Les poussières se dégageant pendant le travail sont inhalées et peuvent nuire à la santé.</p> <ul style="list-style-type: none"> ➤ Les poussières nuisant à la santé doivent être aspirées à l'aide d'un aspirateur HEPA 13. ➤ Porter un masque anti-poussière pendant le travail.

Raccorder la machine à un dispositif d'aspiration externe approprié avant d'effectuer des travaux avec un fort dégagement de poussière. La vitesse de l'air doit être d'au moins 20 m/s [65 ft/sec].

Le diamètre intérieur du manchon d'aspiration est de 35 mm [1,38 in].

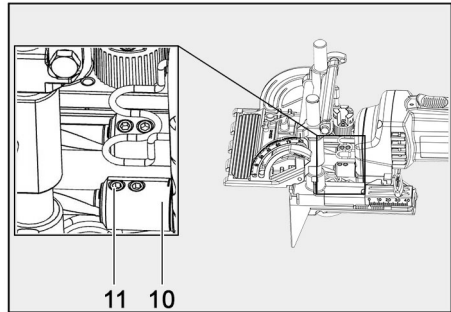
Changement d'outil

Des mèches bien affûtées constituent la condition préalable à un perçage irréprochable.

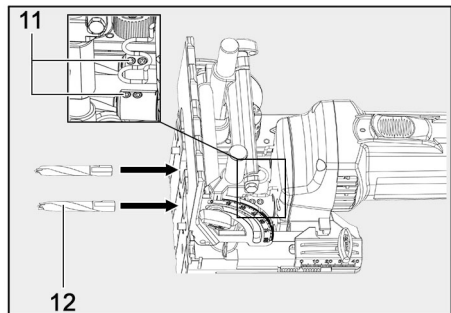
Utiliser exclusivement les mèches à tourillon indiquées au chapitre Accessoires supplémentaires. Ces mèches en carbure ont été spécialement conçues pour la machine et conviennent à tous les types de bois.

Pour remplacer les mèches, procéder de la manière suivante :

1. Débrancher la fiche secteur de la machine.
2. Déposer le câble à portée de vue.
3. Poser la machine débranchée sur une surface plane.
4. Tourner le logement d'outil 10, de manière à ce que les vis 11 soient dirigées vers le haut.
5. Dévisser les quatre vis 11 **dans le sens inverse des aiguilles d'une montre**, à l'aide de la clé à six pans fournie.
6. Retirer les mèches usées vers l'avant.
7. Introduire les nouvelles mèches 12 jusqu'en butée dans le logement d'outil.
 - Les surfaces planes des nouvelles mèches doivent être dirigées dans le sens des trous de vis.
8. Serrer les quatre vis 11 **dans le sens des aiguilles d'une montre**.
 - Vérifier le serrage des mèches.
 - ✓ Les mèches sont remplacées



III. 23 : préparation du logement d'outil



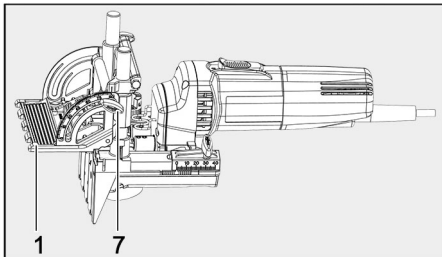
III. 24 : remplacement des mèches



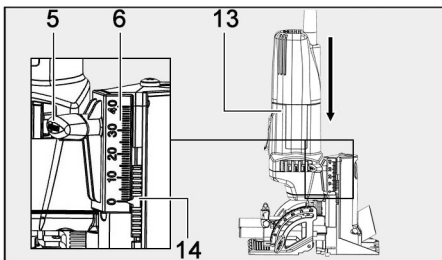
Après le changement d'outil, régler de nouveau la position zéro de la profondeur de perçage.

Pour régler la position zéro de la profondeur de perçage, procéder de la manière suivante :

1. Dévisser la vis à ailettes 7 du réglage de pivotement.
 2. Pivoter la butée pivotante 1 sur 0°.
 3. Serrer ensuite la vis de serrage 7 pour le réglage de pivotement.
-
4. Poser la machine avec butée pivotante ouverte sur une surface plane.
 5. Pousser l'unité moteur 13 vers l'avant jusqu'à ce que l'extrémité de la mèche repose sur cette surface.
 6. Dévisser la vis à ailettes 5 de la butée de profondeur.
 7. Pousser la butée de profondeur 6 vers l'avant, jusqu'en butée.
 8. Serrer la vis à ailettes 5 pour la butée de profondeur.
 9. Pousser l'indicateur 14 sur zéro.
 - ✓ La position zéro de la profondeur de perçage est réglée.



III. 25 : régler la butée pivotante sur 0°



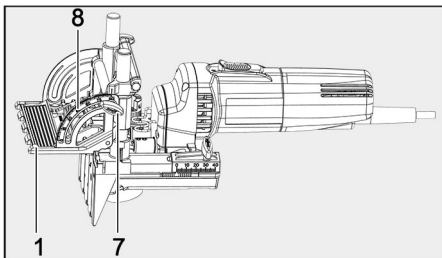
III. 26 : contrôle de la position zéro

Réglage du pivotement

La butée pivotante peut être progressivement réglée dans une plage de 0° à 90°. Trois crans d'arrêt permettent le réglage rapide des angles 22,5° / 45° / 67,5°.

Pour déplacer la butée pivotante, procéder de la manière suivante :

1. Dévisser la vis à ailettes 7 du réglage de pivotement.
2. Pivoter la butée pivotante 1 dans l'angle voulu.
 - L'angle peut être relevé sur la graduation 8, à l'aide de l'aiguille rouge.
3. Resserrer la vis à ailettes 7.
- ✓ La butée pivotante est réglée.



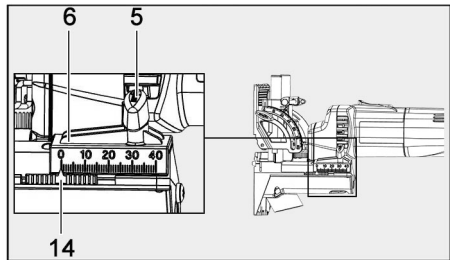
III. 27 : réglage de la butée pivotante

Réglage de la profondeur de perçage

La profondeur de perçage peut être réglée dans une plage de 0 à 40 mm [0 à 1,57 in].

Pour régler la profondeur de perçage, procéder de la manière suivante :

1. Dévisser la vis à ailettes 5 de la butée de profondeur.
2. Pousser la butée de profondeur sur la valeur voulue.
 - La valeur peut être relevée à l'aide de l'indicateur 14.
3. Serrer la vis à ailettes 5 pour la butée de profondeur.
 - ✓ La profondeur de perçage est réglée.



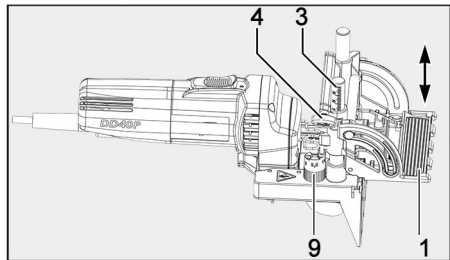
Ill. 28 : Réglage de la profondeur de perçage

Réglage en hauteur de la butée pivotante

La hauteur de la butée pivotante et, par conséquent, l'écart de perçage, peut être progressivement réglée par rapport à l'axe de mèche dans une plage entre 7 et 40 mm [0,28 et 1,57 in].

Pour régler la hauteur de la butée pivotante, procéder de la manière suivante :

1. Dévisser la vis à ailettes 4 du réglage de hauteur.
2. Pousser la butée pivotante 1 sur la hauteur voulue.
 - La hauteur peut être relevée sur la graduation 3.
3. Resserrer la vis à ailettes 4.
- ✓ La hauteur de la butée pivotante est réglée.



Ill. 29 : réglage de la hauteur de la butée pivotante.

La butée revolver rotative 9 permet de sélectionner parmi cinq écarts réglables :

6,5 mm	8 mm	9,5 mm	11 mm	12,5 mm
[0,26 in]	[0,31 in]	[0,37 in]	[0,43 in]	[0,49 in]

7 Fonctionnement

Mise en service

Avertissement

La présente notice d'emploi doit être portée à la connaissance du personnel chargé de travailler avec la machine, une attention particulière devant être accordée au chapitre « consignes de sécurité ».

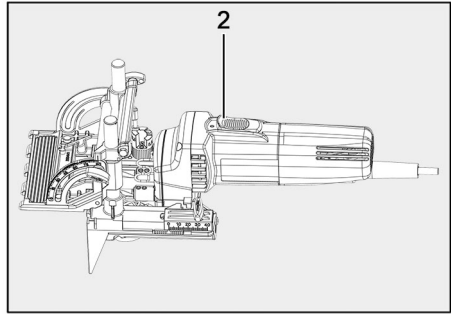
Mise en marche / Arrêt

Pour mettre la machine en marche, procéder de la manière suivante :

1. Pousser l'interrupteur 2 vers l'avant, jusqu'à ce qu'il s'encliquette.
 - ✓ La machine est enclenchée.

Pour arrêter la machine, procéder de la manière suivante :

1. Appuyer sur l'extrémité arrière de l'interrupteur
2.
 - L'interrupteur passe en position arrêt.
 - ✓ La machine est arrêtée.



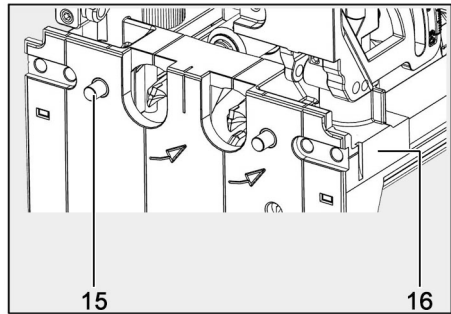
III. 30 : mise en marche/arrêt de la machine

Perçage

La plaque de base possède deux goujons de butée 15 élastiques. Ces derniers permettent de placer les alésages à une distance fixe de 15,5 mm [0,61 in] par rapport au bord extérieur de la pièce.

Des plans d'appui 16 se trouvent sur les côtés de la plaque de base. Ces derniers permettent de placer les alésages à une distance fixe de 49 mm [1,93 in] par rapport au plan d'appui.

La machine peut être positionnée à gauche et à droite.



III. 31 : plaque de base avec goujons de butée et plans d'appui

Plusieurs marquages servent d'orientation sur la machine.

Des marquages sont pratiqués sur la partie supérieure, avant et inférieure de la plaque de base :

- Bord d'appui des butées d'accessoires (A)
- Centre de la mèche (B)
- Centre de la machine (C)

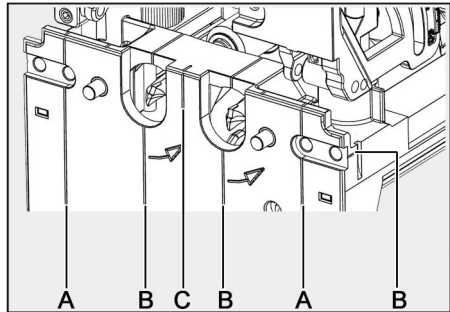
Les repères à gauche et à droite sur les plans latéraux correspondent chacun au centre de la mèche.

Les flèches se trouvant sur la partie avant de la plaque de base indiquent le sens de rotation des mèches.

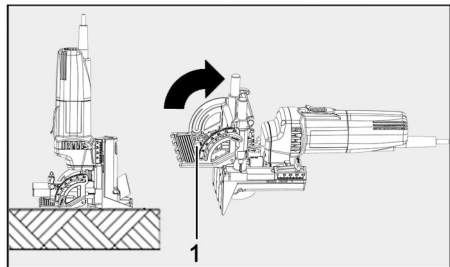
Un perçage avec la machine s'avère également possible en rabattant la butée pivotante 1. La butée pivotante sert alors d'appui supplémentaire.

Trois repères sont pratiqués sur la butée pivotante. Le repère du milieu correspond au milieu de la machine. Les repères à gauche et à droite correspondent chacun au centre de la mèche.

Veiller à l'alignement exact des plans de la règle entre la machine et la pièce.



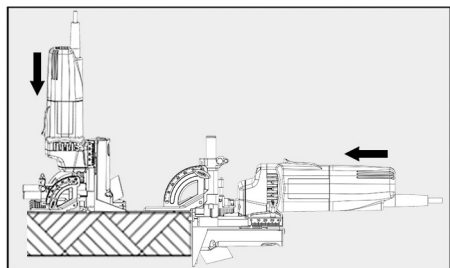
III. 32 : marquages sur la machine



III. 33 : préparation de la machine au perçage vertical

Pour percer avec la machine, procéder de la manière suivante :

1. Serrer la pièce ou la sécuriser contre tout décalage.
 - Utiliser pour cela les tapis antiglisse fournis.
2. En fonction des besoins, poser la machine à l'horizontale ou à la verticale sur la pièce.
3. Positionner la machine contre le bord extérieur de la pièce, soit à l'aide des goujons de butée, soit à l'aide des accessoires ci-après décrits.
 - Veiller à l'alignement exact des plans de l'installation et de la règle entre l'appareil et la pièce.
4. Mettre la machine en marche.
5. Avancer l'unité moteur jusqu'en butée.
6. Repousser le carter du moteur et arrêter la machine.
 - ✓ L'alésage a été pratiqué.



III. 34 : perçage avec la machine

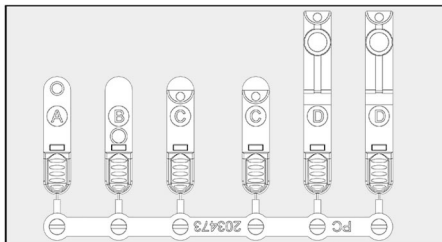
Perçage avec accessoires

Perçage avec le kit de guide supplémentaire

Les guides supplémentaires permettent des écarts différents par rapport au bord.

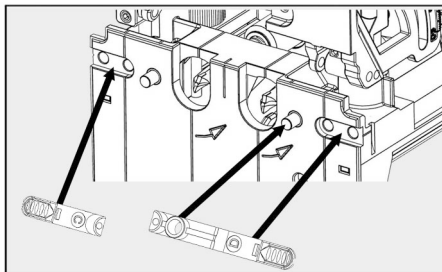
Écarts par rapport au bord :

- A = 32 mm [1,26 in] / pour rangées de trous
- B = 43 mm [1,69 in] / en tant que butée de réajustage
- C = 32 mm [1,26 in] / pour onglets
- D = 7,5 mm [0,31 in] / en tant que guide parallèle pour usinage de lattes



III. 35 : guides supplémentaires

Les guides supplémentaires peuvent être insérés dans les plans d'appui de la plaque de base.



III. 36 : Emplacements pour guides supplémentaires

Travail avec des accessoires supplémentaires

Divers accessoires supplémentaires sont disponibles pour la machine. Une vue d'ensemble se trouve au chapitre 10 Accessoires supplémentaires.

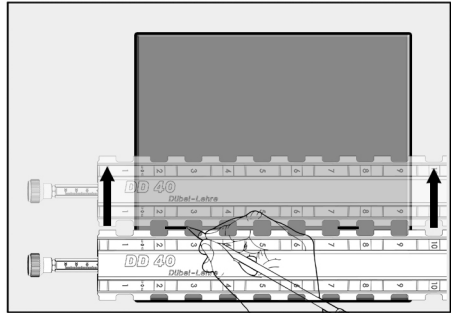
Certains types d'utilisation sont explicités par la suite.

Perçage avec gabarit de perçage

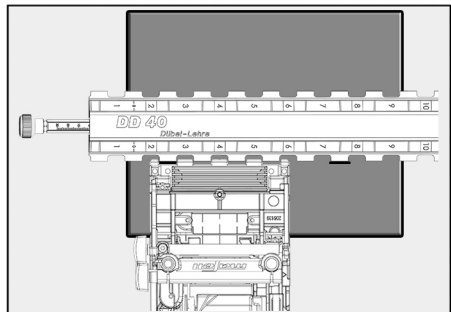
Pour le perçage horizontal avec le gabarit de perçage, procéder de la manière suivante :

1. Placer le gabarit de perçage de tourillons à fleur de la partie frontale de la pièce et tracer un repère à gauche et à droite.
2. Poser et serrer le gabarit de perçage de tourillons sur les repères.

3. Régler l'écart voulu sur la butée pivotante.
 - Respecter pour cela le chapitre 6.7 Réglage en hauteur de la butée pivotante.
4. Poser la butée pivotante à fleur contre la pièce.
5. Une fois la position voulue atteinte, rentrer la denture de la butée pivotante jusqu'en butée dans le gabarit et percer les trous.
 - ✓ Le perçage à l'horizontale avec le gabarit de perçage est fait.



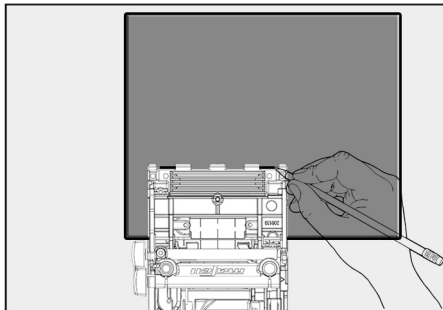
III. 37 : tracé de la position pour gabarit de perçage de tourillons



III. 38 : pose de la machine contre le gabarit de perçage

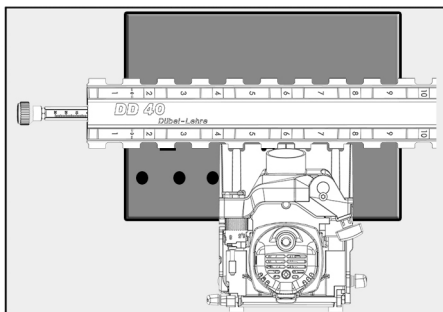
Pour le perçage vertical avec le gabarit de perçage, procéder de la manière suivante :

1. Régler l'écart voulu sur la butée pivotante.
2. Poser machine à l'horizontale avec la butée pivotante à fleur contre la partie frontale de la pièce.
3. Tracer un repère à gauche et à droite sur la denture de la plaque de base.



III. 39 : Poser de la machine avec la butée pivotante à fleur contre la partie frontale de la pièce

4. Poser et serrer le gabarit de perçage de tourillons sur les repères.
5. Placer la machine à la verticale.
6. Une fois la position voulue atteinte, rentrer la denture de la plaque de base jusqu'en butée dans le gabarit et percer les trous à partir du haut.
 - ✓ Le perçage à la verticale avec le gabarit de perçage est fait.



III. 40 : pose de la machine à la verticale contre le gabarit de perçage

8 Entretien et maintenance



Les machines MAFELL sont conçues pour fonctionner avec très peu d'entretien.

Les roulements à billes utilisés sont graissés à vie. Après une longue période d'utilisation, nous recommandons de faire réviser la machine par un service après-vente MAFELL agréé.

Stockage

Nettoyer soigneusement la machine si elle ne doit pas servir pendant une période prolongée. Vaporiser les parties nues du métal avec un agent anticorrosion.

9 Élimination des défauts

 Avertissement	
	<p>Risque de blessure dû au démarrage brusque de la machine</p> <p>La machine peut démarrer brusquement, à la suite d'une inadvertance pendant le travail ou de l'élimination de défauts. De graves blessures dues à l'outil en rotation peuvent en être la conséquence.</p> <ul style="list-style-type: none"> ➤ La détermination des causes de dérangements présents et leur élimination exigent toujours une attention et précaution particulières ! ➤ Débrancher la fiche du secteur avant d'éliminer des défauts !

Les dérangements les plus fréquents et leurs causes sont décrits ci-après. Pour tout autre dérangement, veuillez contacter votre concessionnaire ou directement le service après-vente MAFELL.

Dérangement	Cause	Élimination
Impossible de mettre la machine en marche	Tension secteur absente ou trop faible	Faire vérifier l'alimentation électrique par un électricien
	Fusible secteur défectueux	Faire remplacer le fusible par un électricien
	Balais de charbon usés	Amener la machine à un service après-vente MAFELL
La machine s'arrête pendant le perçage	Panne de secteur	Faire vérifier les préfusibles du réseau par un électricien
	Balais de charbon usés	Amener la machine à un service après-vente MAFELL
Traces de brûlure au niveau des alésages	Outil non approprié au travail ou émoussé	Raffûter la mèche ou la remplacer
Sortie de copeaux obstruée	Bois trop humide	Sécher le bois
	Perçage trop long sans aspiration	Raccorder la machine à une installation d'aspiration externe

10 Accessoires supplémentaires

- Mèche à tourillon - HS-TiN Ø 3 mm	Réf. 090 083
- Mèche à tourillon - carbure Ø 5 mm	Réf. 090 089
- Mèche à tourillon - carbure Ø 6 mm	Réf. 090 096
- Mèche à tourillon - carbure Ø 6,1mm	Réf. 090 120
- Mèche à tourillon - carbure Ø 7 mm	Réf. 090 121
- Mèche à tourillon - carbure Ø 8 mm	Réf. 090 097
- Mèche à tourillon - carbure Ø 8,1 mm	Réf. 090 122
- Mèche à tourillon - carbure Ø 8,2 mm	Réf. 090 123
- Mèche à tourillon - carbure Ø 10 mm	Réf. 090 098
- Mèche à tourillon - carbure Ø 10,1 mm	Réf. 090 124
- Mèche à tourillon - carbure Ø 10,2 mm	Réf. 090 125
- Mèche à tourillon - carbure Ø 12 mm	Réf. 090 099
- Mèche à tourillon - carbure Ø 12,1 mm	Réf. 090 126
- Mèche à tourillon - carbure Ø 12,2 mm	Réf. 090 127
- Mèche à tourillon - carbure Ø 14 mm	Réf. 090 128
- Mèche à tourillon - carbure Ø 15 mm	Réf. 090 129
- Mèche à tourillon - carbure Ø 16 mm	Réf. 090 085
- Mèche à tourillon - carbure Ø 16,2 mm	Réf. 090 130
- Gabarit de perçage avec dispositif de serrage	Réf. 203 980
- Rallonge de gabarit pour tourillon 1600 cpl, 1600 mm de long	Réf. 203 434
- Adaptateur pour rallonge de gabarit pour tourillon	Réf. 203 437
- Serre-joint avec butée (pour travaux avec rallonge de gabarit pour tourillon)	Réf. 093 280
- Serre-joint (pour fixation de rail sur la pièce)	Réf. 093 281
- Pour les tourillons, voir commerce spécialisé, magasin de bricolage, etc.	

11 Schéma éclaté et liste de pièces de rechange




Les informations correspondantes, relatives aux pièces de rechange, se trouvent sur notre page web : www.mafell.com

Índice de contenidos

1	Leyenda.....	49
1.1	Denominación del equipo.....	51
2	Datos del producto.....	52
2.1	Datos del fabricante.....	52
2.2	Datos técnicos.....	52
2.3	Contenido.....	53
2.4	Mandos.....	54
2.5	Uso correcto.....	55
2.6	Usos incorrectos previsibles.....	55
3	Indicaciones de seguridad general para herramientas eléctricas.....	56
3.1	Puesto de trabajo.....	56
3.2	Seguridad eléctrica.....	56
3.3	Seguridad de personas.....	57
3.4	Manipulación y uso cuidadosos de herramientas eléctricas.....	57
3.5	Servicio.....	58
4	Reglas de seguridad específicas.....	59
5	Riesgos restantes.....	61
6	Equipamiento / Ajustes.....	62
6.1	Alimentación de red.....	62
6.2	Montaje de la toma de conexión.....	62
6.3	Sistema de aspiración de virutas.....	62
6.4	Cambio de herramienta.....	63
6.5	Ajustes para cortes inclinados.....	64
6.6	Ajustar la profundidad de taladrado.....	65
6.7	Ajuste de altura del tope basculante.....	65
7	Funcionamiento.....	66
7.1	Puesta en funcionamiento.....	66
7.2	Conexión / Desconexión.....	66
7.3	Taladrar.....	66
7.4	Taladrar con accesorios.....	68
7.5	Trabajar con accesorios especiales.....	68
8	Mantenimiento y reparación.....	70
8.1	Almacenaje.....	70
9	Eliminación de fallos técnicos.....	70
10	Accesorios especiales.....	71
11	Dibujo de explosión y lista de piezas de recambio.....	71





1 Leyenda

Este manual de instrucciones tiene los siguientes símbolos de información generales, para guiarle por el manual y le aportarán información importante.

Símbolo	Significado
	Información importante Este símbolo identifica consejos para el personal operario u otra información oportuna.
	Identifica un resultado intermedio en una secuencia de acciones.
	Identifica el resultado final en una secuencia de acciones.





Tab. 9: Símbolos generales y su significado

Los símbolos de advertencia advierten de zonas de peligro, riesgos y obstáculos.

Símbolo	Significado
	Indicación de advertencia Este símbolo identifica las instrucciones de seguridad. De no respetar estas instrucciones, se pondrá en peligro la integridad de las personas.
	Advierte de peligros por descarga eléctrica.
	Advierte de peligros por polvo.
	Advierte de peligros por taladrar.

Tab. 10: Símbolos de advertencia y su significado




Los símbolos de prohibición sirven para evitar accidentes.

Símbolo	Significado
	Usar lentes protectores.
	Usar mascarilla protectora del polvo.
	Usar protección de oídos.
	Usar guantes protectores.

Tab. 11: Símbolos de prohibición y su significado

Al operar la máquina se realizar siempre acciones que pueden ser peligrosas. Estas acciones peligrosas están indicadas por advertencias que se deben respetar.







Clasificación de los niveles de peligro (palabras de advertencia) en advertencias

Indicación de advertencia	Significado y consecuencias por incumplimiento
 Peligro	Peligro inmediato que provoca lesiones graves o la muerte .
 Advertencia	Situación potencialmente peligrosa, que podría provocar lesiones graves o la muerte .
 Precaución	Situación potencialmente peligrosa, que podría provocar lesiones leves .

Tab. 12: Estructura de advertencias

Denominación del equipo

Los símbolos que se explican a continuación pueden aparecer en la placa indicativa o el producto.

Símbolo	Explicación	Símbolo	Explicación
110 V~	Voltios	1, 2, 3, ... I, II, III, ...	Ajuste de la velocidad de marcha
a	Amperes	min ⁻¹	Revoluciones por minuto
Hz	Hertz	∅	Diámetro de la herramienta
V	Vatios	~	Corriente alterna
kg	Kilogramo (peso)		Clase de protección II
min	Minutos (tiempo)		Leer el manual de instrucciones
s	Segundos (tiempo)		Lentes protectores
n ₀	Velocidad nominal en marcha neutra		Protección de oídos
n	Velocidad nominal con carga normal		Mascarilla protectora del polvo
			Símbolo de peligro Dedo taladrado

2 Datos del producto

sobre DuoDübler DD40P con número de artículo 916043

El número de artículo y de máquina están indicados en la placa de indicaciones de la máquina.



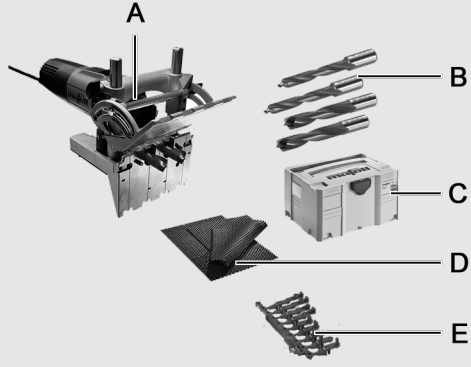
En la página web de MAFELL puede consultar las listas de piezas de repuesto, dibujos de explosión y otra información sobre el producto. Solo tiene que indicar el número de artículo y máquina (véase también el capítulo 11 Dibujo de explosión y lista de piezas de recambio).

Datos del fabricante

MAFELL AG, Beffendorfer Straße 4, D-78727 Oberndorf / Neckar, Teléfono +49 (0)7423/812-0, Fax +49 (0)7423/812-218, E-Mail mafell@mafell.de

Datos técnicos

Tensión de funcionamiento	120 V AC
Frecuencia de alimentación	60 Hz
Consumo de corriente funcionamiento continuo	8,3 A
Velocidad en vacío	13500 rpm
Distancia entre barrenas	32 mm [1.26 in]
Profundidad de perforación	0 - 40 mm [0 - 1.57 in]
Ángulo ajustable	0° - 90°
Diámetro de herramienta máximo	16 mm [0.63 in]
Diámetro de herramienta mínimo	6 mm [0.24 in]
Orificio de alojamiento de la herramienta	8 mm [0.32 in]
Diámetro tubo de aspiración	35 mm [1.38 in]
Peso sin cable de alimentación	2.8 kg [6.17 lbs]
Dimensiones (ancho x largo x altura)	130 x 300 x 185 mm [5.12 x 11.81 x 7.28 in]

Contenido


The diagram shows the DuoDübler DD40P kit components. Label A points to the main DuoDübler DD40P unit. Label B points to three drill bits of different sizes (8mm, 10mm, and 12mm). Label C points to the transport case. Label D points to two non-slip mats. Label E points to additional spacers.

Componentes	
A	DuoDübler DD40P
B	2 Brocas para tacos - HW 8 mm 2 Brocas para tacos - HW 10 mm 2 Brocas para tacos - HW 12 mm
C	Maleta de transporte
D	2 esteras antideslizantes
E	Topes adicionales

También incluye:

- 1 llave hexagonal de 2,5 de boca con asa en maletín
- 1 llave hexagonal de 2,5 de boca en el equipo
- 1 botella de cola 250 ml (sin contenido)
- 1 boquilla de cola de 8 mm de diámetro
- 200 tacos redondos de madera 8 x 30 mm
- 100 tacos redondos de madera 10 x 40 mm
- 40 tacos redondos de madera 12 x 60 mm

Fig. 41: Contenido

Mandos

Mandos de la máquina	
1	Tope giratorio
2	Conector
3	Escala ajuste de altura
4	Tornillo de mariposa para ajuste de altura
5	Tornillo de mariposa tope de profundidad
6	Tope de profundidad
7	Tornillo de mariposa para ajuste de oscilación
8	Escala ajuste de oscilación
9	Tope revólver

Fig. 42: Piezas de ajuste izquierda y derecha

Uso correcto

El DuoDübler está creado exclusivamente para taladrar materiales derivados de la madera utilizando las brocas autorizadas por Mafell con un diámetro entre 6 - 16 mm [0.24 - 0.63 in]. Se establecen las uniones entre las piezas individuales en la zona del banco de trabajo.

El equipo no está homologado para la realización de perforaciones en paredes ya existentes.



Asegúrese de que la línea de conexión no toca ninguna pieza rotante.

No está permitido el uso en modo de funcionamiento industrial.

No está permitido otro uso que no sea el uso correcto indicado más arriba. No se podrá presentar reclamación alguna ante el fabricante por los daños que se desprendan del uso inapropiado; dicho uso también anula cualquier derecho de garantía o reclamación.

El uso apropiado de la máquina comprende respetar todas las instrucciones de servicio, mantenimiento y reparación de MAFELL.

Usos incorrectos previsibles**El uso incorrecto previsible incluye:**

- Manipulación, extraer o evitar los dispositivos de seguridad de todo tipo.
- Operar la máquina sin dispositivos de seguridad.
- Incumplimiento de indicaciones de seguridad y advertencia del manual de instrucciones.
- Retirar indicaciones de de seguridad y advertencia de la máquina.
- Manejo no autorizado de la máquina.
- Incumplimiento de indicaciones de mantenimiento y cuidados estipulados.
- Utilizar la máquina para realizar orificios en paredes ya existentes.

No se deben utilizar:

- Taladros dañados y aquellos cuya forma se ha modificado.
- Brocas despuntadas (peligro de sobrecarga del motor).
- Brocas que no son adecuadas para el número de revoluciones del taladro en funcionamiento en vacío.

3 Indicaciones de seguridad general para herramientas eléctricas

Advertencia

Lea toda la información de seguridad, instrucciones, ilustraciones y datos técnicos suministrados con esta herramienta eléctrica. Si no se cumplen las siguientes instrucciones, se pueden provocar descargas eléctricas, incendio y/o lesiones graves.

Guarde todas las indicaciones de seguridad e instrucciones para el futuro.

El término «herramienta eléctrica» utilizado en las instrucciones de seguridad se refiere a herramientas eléctricas alimentadas mediante red eléctrica (con cable de alimentación) o herramientas eléctricas alimentadas por batería (sin cable de alimentación).

Puesto de trabajo

- **Mantenga la zona de trabajo limpia, bien iluminada y ordenada.** Las zonas de trabajo desordenadas y mal iluminadas pueden provocar accidentes.
- **No trabaje con el equipo en zonas con riesgo de explosión donde haya líquidos inflamables, gases o polvos.** Las herramientas eléctricas provocan chispas que pueden incendiar el polvo o los vapores.
- **Mantenga a los niños y otras personas alejados durante el uso de la herramienta eléctrica.** Las distracciones pueden causar la pérdida de control del equipo.

Seguridad eléctrica

- **La clavija de conexión del equipo tiene que ajustarse al enchufe. No se debe modificar la clavija de ningún modo. No utilice ningún adaptador junto con herramientas eléctricas con toma a tierra.** Los enchufes no modificados y las clavijas apropiadas reducen el riesgo de una descarga eléctrica.
- **Reduce el contacto corporal con superficies con toma a tierra, como las tuberías, calefacciones, cocinas y frigoríficos.** Existe un alto riesgo de descarga eléctrica si su cuerpo tiene toma a tierra.
- **Mantenga el equipo alejado de la lluvia o la humedad.** Si entra agua en la herramienta eléctrica aumenta el riesgo de una descarga eléctrica.
- **No utilice el cable para otros fines, como transportar el equipo, colgarlo o tirar del enchufe para sacarlo de la clavija. Mantenga el conducto de conexión alejado del calor, el aceite, los bordes afilados o las piezas en movimiento.** Los conductos dañados o enredados aumentan el riesgo de una descarga eléctrica.
- **Si trabaja con una herramienta eléctrica al aire libre, utilice solo cables de prolongación autorizados para el uso en exteriores.** El uso de un cable de prolongación para exteriores reduce el riesgo de una descarga eléctrica.
- **Si no se puede evitar usar la herramienta eléctrica en un ambiente húmedo, utilice un interruptor de corriente por defecto.** El uso de un interruptor de corriente por defecto reduce el riesgo de una descarga eléctrica.

Seguridad de personas

- **Preste atención a lo que hace y asegúrese de manipular la herramienta eléctrica con sensatez. No use ninguna herramienta eléctrica si está cansado o bajo la influencia de drogas, alcohol o medicamentos.** Un momento de distracción cuando se usa el equipo, puede provocar lesiones serias.
- **Lleve siempre equipo de protección individual y gafas de protección.** Si se usan equipos de protección individual, como mascarillas para el polvo, calzado de seguridad antideslizante, casco protector o protecciones auditivas, dependiendo del tipo y uso de la herramienta eléctrica, se reduce el riesgo de lesiones.
- **Evite la puesta en marcha involuntaria. Asegúrese de que la herramienta eléctrica está desconectada antes de transportarlo o conectarlo al suministro de corriente y/o batería.** Si al transportarlo tiene el dedo en el interruptor o el aparato está conectado al suministro de corriente, se pueden provocar accidentes.
- **Quite las herramientas de ajuste o la llave de tuerca antes de conectar la herramienta eléctrica.** Una herramienta o llave que se encuentre en una parte giratoria del equipo, puede provocar lesiones.
- **No se sobreestime. Evite una postura abnormal. Procure tener un apoyo seguro y mantenga en todo momento el equilibrio.** Así podrá controlar mejor el equipo en situaciones inesperadas.
- **Utilice ropa apropiada. No utilice ropa ancha ni joyas. Mantenga el pelo, la ropa y los guantes alejados de piezas en movimiento.** La ropa suelta, las joyas o el pelo largo puede quedar atrapado por las piezas en movimiento.
- **Si se pueden montar un dispositivo de aspiración y suspensión, se deben conectar y utilizar correctamente.** El uso de una aspiración de polvo puede reducir los riesgos producidos por el polvo.
- **No cree una falsa seguridad por la familiaridad con la herramienta eléctrica y no imponga su criterio por encima de las normas de seguridad para herramientas eléctricas.** Si se actúa sin prestar atención, se pueden provocar lesiones graves en cuestión de segundos.

Manipulación y uso cuidadosos de herramientas eléctricas

- **No sobrecargue el equipo. Utilice la herramienta eléctrica apropiada para su trabajo.** Con la herramienta apropiada trabajará mejor y más seguro en el rango de potencia.
- **No utilice ninguna herramienta eléctrica cuyo interruptor esté defectuoso.** Una herramienta eléctrica que no se pueda desconectar ni conectar es peligrosa y se tiene que reparar.
- **Desenchúfelo y /o quite la batería extraíble antes de realizar cambios en el equipo, cambiar piezas de accesorios o posar el equipo.** Esta medida de precaución evita el arranque involuntario del equipo.
- **Mantenga las herramientas eléctricas que no estén en uso fuera del alcance de los niños. No permita utilizar la herramienta eléctrica a personas que no estén familiarizadas con ella o no hayan leído las instrucciones.** Las herramientas eléctricas son peligrosas si las usan personas sin experiencia.
- **Cuide el equipo con cuidado. Compruebe si las piezas móviles funcionan correctamente y no están enganchadas. Compruebe también si hay piezas rotas o dañadas, que puedan afectar al funcionamiento del equipo. Repare las piezas dañadas antes de usar el equipo.** Muchos accidentes están provocados por herramientas eléctricas que no han sido revisadas.



-
- **Mantenga las herramientas de corte afiladas y limpias.** Las herramientas de corte bien cuidadas con hojas afiladas no se suelen quedar atascadas y son más fáciles de guiar.
 - **Utilice herramientas eléctricas, accesorios, herramientas intercambiables etc. que cumplan estas instrucciones. Tenga también en cuenta las condiciones de trabajo y la tarea a realizar.** El uso de herramientas eléctricas para otros fines que no sean el previsto, puede provocar situaciones peligrosas.
 - **Mantenga las asas y las superficies de las asas secas, limpias y sin aceite o grasa.** Si las asas o superficies de las asas están resbaladizas, no se puede manejar ni controlar la herramienta eléctrica de forma segura en situaciones inesperadas.

Servicio

- **Encargue la reparación de su equipo exclusivamente a personal técnico especializado y con piezas de repuesto originales.** Así se asegurará de mantener la seguridad del equipo.

4 Reglas de seguridad específicas

Dispositivos de seguridad

 Peligro	
	<p>Peligro de lesiones por falta de dispositivos de seguridad</p> <p>Los dispositivos descritos garantizan la seguridad en el trabajo con esta máquina, por lo tanto, no se pueden desmontar ni desactivar.</p> <ul style="list-style-type: none"> ➤ Compruebe el funcionamiento de los dispositivos de seguridad y posibles daños antes de empezar a trabajar. ➤ No utilice la máquina si faltan dispositivos de seguridad o no hacen efecto.

La máquina ofrece los siguientes dispositivos de seguridad:

Dispositivo de seguridad	Tipo de revisión
Protección de contacto para taladro	Control óptico de daños
Grandes superficies de apoyo de la placa base y del tope basculante	Control óptico de daños y deformaciones
Agarraderas	Control óptico de daños
Dispositivos de conexión y desconexión y freno	Control de funcionamiento (tiempo de freno máx. 5 segundos)
Tubo de aspiración	Control óptico de daños y obstrucción

En caso de daños o de funcionamiento erróneo de los dispositivos de seguridad, respete las indicaciones del capítulo Solución de averías. En cualquier otro caso, consulte a su distribuidor o directamente al servicio técnico de MAFELL.

Área de trabajo

- No podrán manejar esta máquina personas menores de edad,
- El nivel de presión acústica supera los 85 dB (A). Por lo tanto, protéjase adecuadamente los oídos durante el trabajo
- Protección obligatoria de la vista.
- Protección obligatoria de las vías respiratorias.



Indicaciones sobre el funcionamiento:

- El uso de la máquina al aire libre está prohibido.
- Mantenga las manos fuera de la zona de perforación y de la broca.
- No coloque nunca la mano debajo de la pieza de trabajo a la hora de realizar perforaciones (peligro de lesiones).
- No sujete nunca la pieza de trabajo con la mano o colocado sobre la pierna. Fije la pieza de trabajo sobre una superficie rígida.
- Mientras realice trabajos en los que hay peligro de cortar cables eléctricos no visibles o el cable propia de la propia máquina, sujete la máquina por las empuñaduras aisladas (véase también el capítulo 2.4 - A).
- Mantenga el área de trabajo limpia y recogida. Encárguese de que no haya ninguna línea con voltaje en el área de trabajo (prolongaciones, la propia línea de conexión).
- Antes de proceder a perforar, fije los ajustes de altura y ángulo.
- Comprobar si hay objetos extraños en la pieza de trabajo. No perforo nunca piezas metálicas, como por ejemplo clavos.
- Reemplace inmediatamente cualquier cable o conector defectuoso. Solo puede cambiar las piezas Mafell o un taller de servicio técnico autorizado por MAFELL para evitar riesgos de seguridad.
- No doblar nunca el cable. No envolver nunca el cable alrededor de la máquina, particularmente durante el transporte o almacenamiento de la misma.
- Durante los procesos de trabajo, procure posar la máquina en un lugar seguro cuando no se use. Así se evitarán las lesiones provocadas al caer la máquina.
- **después de taladrar, la unidad del motor se tiene que desplazar automáticamente a la posición inicial.** Las brocas estarán totalmente dentro de la cubierta protectora. Sino, se debe desconectar inmediatamente la máquina y repararla antes de volver a usarla.

Indicaciones sobre el mantenimiento y reparación:

- Por razones de seguridad, es imprescindible limpiar con regularidad la máquina, particularmente los dispositivos de ajuste y de guía.
- Solo se pueden utilizar piezas de repuesto y accesorios originales de MAFELL. De lo contrario no se aceptarán reclamaciones de garantía ni el fabricante asumirá ninguna responsabilidad.
- **Cree un plan de mantenimiento periódico para su máquina. Cuando limpie la máquina, no desmonte ninguna pieza, porque es posible que coloque mal el cableado interno, se enganche o monte erróneamente los muelles de retorno del dispositivo protector.** Existen algunos detergentes, como gasolina, tetracloruro de carbono, amoníaco etc. pueden dañar las piezas de plástico.

5 Riesgos restantes

 Advertencia	
	<p>Riesgo de lesiones al trabajar con la máquina</p> <p>A pesar de utilizar la máquina conforme al uso proyectado y respetando todas las normas de seguridad aplicables, siguen existiendo riesgos, debido a la finalidad de uso, que pueden tener consecuencias para la salud.</p> <ul style="list-style-type: none"> ➤ Respete las indicaciones de seguridad y la información de este manual. ➤ Trabaje siempre con máxima atención y precaución cuando manipule la máquina.

Los riesgos restantes incluyen:

- Contacto con las brocas en el área de la placa base o fuera de la misma.
- Contacto con el taladro en la parte posterior de la pieza al atravesar la pieza.
- Rotura o desprendimiento de las brocas o partes de las mismas.
- Salida brusca de virutas.
- Daños al oído debido al trabajo intensivo sin la protección adecuada.
- Emisión de polvo de madera, nocivo para la salud, durante el trabajo intensivo sin el conveniente sistema de aspiración.
- **Una parte del polvo que se genera al serrar, lijar, taladrar y otros trabajos, contiene productos químicos, que se conoce que pueden causar cáncer, defectos de nacimiento u otros daños reproductivos. Algunos ejemplos de esos productos químicos:**
 - Plomo de pinturas con base de plomo,
 - Ácido salicílico cristalino de ladrillos y cemento y otros productos para la construcción de muros.
 - Arsénico y cromo de maderas tratadas.


El riesgo de peligro depende de la frecuencia con la que realice este trabajo. Para reducir el riesgo por estos productos químicos: trabaje en una zona bien aireada y use protección de seguridad, como mascarillas contra el polvo desarrolladas especialmente para filtrar las micropartículas.

6 Equipamiento / Ajustes


Alimentación de red

Antes de poner en marcha la máquina, asegúrese de que la tensión de red se corresponda con la tensión de servicio indicada en la placa de identificación de la máquina.

Montaje de la toma de conexión

⚠ Advertencia	
	<p>Descarga eléctrica al taladrar el conducto de conexión</p> <p>El conducto de conexión puede afectar al funcionamiento de la seguridad y el trabajo y puede entrar en contacto con la herramienta de taladrar. Si se taladra en el conducto de conexión propio, las piezas de metal de la máquina estarán en tensión y se provocará una descarga eléctrica. Existe de riesgo de que el usuario sufra lesiones.</p> <ul style="list-style-type: none"> ➤ Cuando trabaje preste atención al montaje del conducto de conexión. ➤ No taladre su propio conducto de conexión.

Sistema de aspiración de virutas

⚠ Precaución	
	<p>Riesgos para la salud por el polvo de madera</p> <p>Los polvos que se generan al trabajar, se aspiran y pueden causar daños a la salud.</p> <ul style="list-style-type: none"> ➤ Los polvos nocivos para la salud tienen que aspirarse con un aspirador HEPA 13. ➤ Utilice al trabajar una mascarilla contra el polvo.

Cuando corte materiales que provoquen la formación masiva de polvo, conecte la máquina con un sistema de aspiración externo adecuado. La velocidad mínima del aire tiene que ser de 20 m/s [65 ft/sec].

El diámetro interior del manguito de absorción es de 35 mm [1.38 in].

Cambio de herramienta

El requisito básico para un taladrado perfecto es que las brocas estén bien afiladas.

Utilizar las brocas para tacos enumeradas en el capítulo Accesorios especiales. Las brocas con plaquitas de metal duro están diseñadas especialmente para la máquina y pueden utilizarse para cualquier tipo de madera.

Para cambiar las brocas, proceder de la siguiente manera:

1. Desenchufe la máquina.
2. Posar el cable a la vista.
3. Colocar la máquina desenchufada en una superficie plana.
4. Girar el alojamiento de herramientas 10 de modo que los tornillos 11 miren hacia arriba.
5. Aflojar los cuatro tornillos 11 con ayuda de la llave hexagonal suministrada **en la dirección contraria a las agujas del reloj**.
6. Tirar hacia delante para quitar las brocas usadas.
7. Desplazar las nuevas brocas 12 hasta el tope en el alojamiento de la herramienta.
 - Las superficies planas de las brocas nuevas tienen que mirar en dirección a los orificios de los tornillos.
8. Apretar los cuatro tornillos 11 **en el sentido de las agujas del reloj**.
 - Compruebe si la broca está bien asentada.
 - ✓ Se ha cambiado la broca.

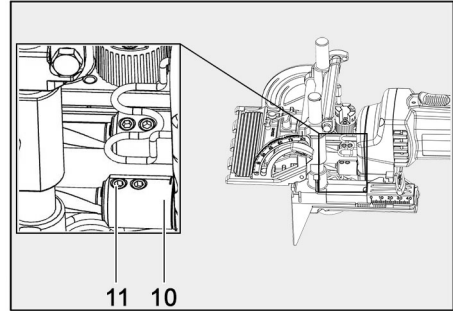


Fig. 43: Preparar el alojamiento de la herramienta

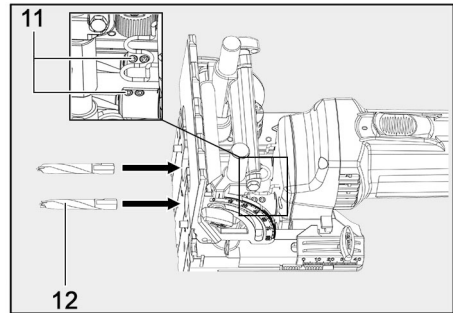


Fig. 44: Cambiar la broca



Tras el cambio de herramienta debe ajustar nuevamente la posición cero de la profundidad de perforación.

Para ajustar la posición de cero de la profundidad de taladrado, proceder de la siguiente manera:

1. Aflojar el tornillo de mariposa 7 para el ajuste de oscilación.
2. Girar el tope giratorio 1 a 0°.
3. Aflojar el tornillo de mariposa 7 para el ajuste de oscilación.

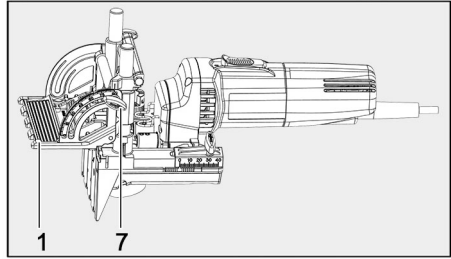


Fig. 45: Ajustar al tope giratorio a 0°

4. Colocar la máquina con el tope giratorio plegado sobre una superficie plana.
5. Desplazar hacia delante la unidad del motor 13 hasta que la punta de la broca se sitúe sobre esta superficie.
6. Aflojar el tornillo de mariposa 5 para el tope de profundidad.
7. Desplazar el tope de profundidad 6 hacia arriba hasta el tope.
8. Apretar el tornillo de mariposa 5 para el tope de profundidad.
9. Mover el indicador 14 a cero.
 - ✓ Posición cero de la profundidad de taladrado ajustada.

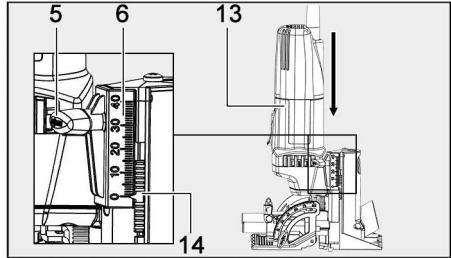


Fig. 46: Comprobar la posición cero

Ajustes para cortes inclinados

El tope giratorio puede ajustarse de forma continua en un rango de 0° a 90°. Para el ajuste rápido de los ángulos existen tres posiciones de encaje; 22,5° / 45° / 67,5°.

Para ajustar el tope giratorio, proceder de la siguiente manera:

1. Aflojar el tornillo de mariposa 7 para el ajuste de oscilación.
2. Girar el tope giratorio 1 al ángulo deseado.
 - Se puede leer el ángulo en la escala 8 con el indicador rojo.
3. Volver a fijar el tornillo de mariposa 7.
 - ✓ Tope giratorio cambiado de posición.

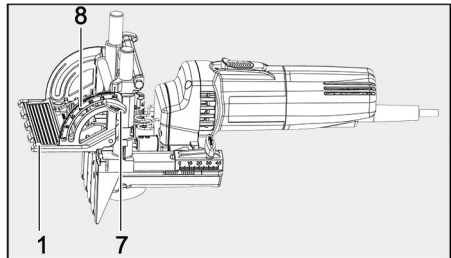


Fig. 47: Cambiar de posición el tope giratorio

Ajustar la profundidad de taladrado

La profundidad de taladrado se puede ajustar dentro de un rango de 0 a 40 mm [0 a 1.57 in].

Para modificar la profundidad de taladrado, proceder de la siguiente manera:

1. Aflojar el tornillo de mariposa 5 para el tope de profundidad.
2. Desplace el tope de profundidad 6 hasta el valor deseado.
 - En el indicador 14 se puede leer el valor.
3. Apretar el tornillo de mariposa 5 para el tope de profundidad.
 - ✓ Profundidad de taladrado cambiada.

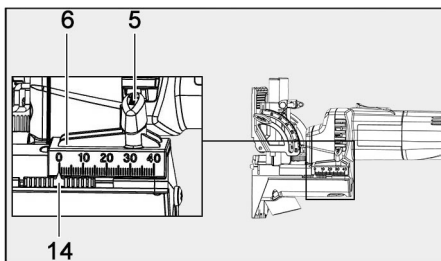


Fig. 48: Cambiar la profundidad de taladrado

Ajuste de altura del tope basculante

La altura del tope giratorio y, con ella, la distancia de taladrado hacia la superficie de apoyo, se puede ajustar de forma continuada en un rango de 7 - 40 mm [0.28 - 1.57 in] hacia el eje de la broca.

Para cambiar la altura del tope giratorio, proceder de la siguiente manera:

1. Aflojar el tornillo de mariposa 4 para ajustar la altura.
2. Desplazar el tope giratorio 1 hasta la altura deseada.
 - La altura se puede leer en la escala 3.
3. Vuelva a fijar el tornillo de mariposa 4.
- ✓ Altura del tope giratorio cambiada.

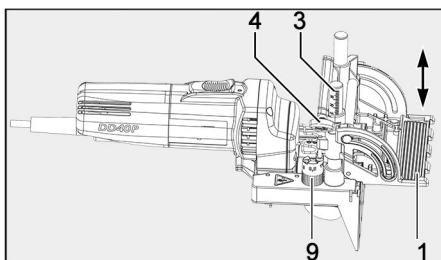


Fig. 49: Cambiar la altura del tope giratorio

Con ayuda del tope circular 9 se pueden ajustar cinco distancias definidas:

6,5 mm	8 mm	9,5 mm	11 mm	12,5 mm
[0.26 in]	[0.31 in]	[0.37 in]	[0.43 in]	[0.49 in]

7 Funcionamiento

Puesta en funcionamiento

Advertencia

Cada persona encargada del manejo de la máquina ha de estar familiarizada con el manual de instrucciones y, en particular, con el apartado "Instrucciones de seguridad".

Conexión / Desconexión

Para conectar la máquina, proceder de la siguiente manera:

1. Desplazar el interruptor 2 hacia delante hasta que encaje.
 - ✓ La máquina está conectada.

Para desconectar la máquina, proceder de la siguiente manera:

1. Pulsar el extremo posterior del interruptor 2.
 - El interruptor pasa a la posición OFF.
 - ✓ La máquina está desconectada.

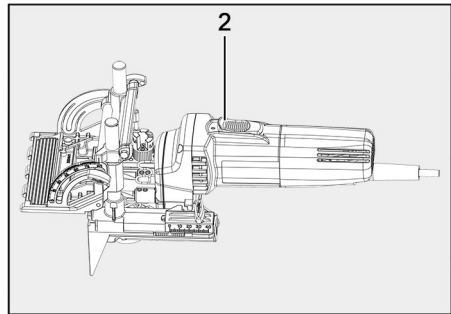


Fig. 50: Conectar/desconectar la máquina

Taladrar

La placa base tiene dos espigas de ajuste de suspensión flexible 15. Estas permiten taladrar manteniendo una distancia fija de 15,5 mm [0.61 in] con el borde exterior de la pieza de trabajo.

En los laterales de la placa base hay superficies de apoyo 16. Estas permiten taladrar manteniendo una distancia fija de 49 mm [1.93 in] con la superficie de apoyo.

La máquina se puede colocar a la derecha o la izquierda de la pieza de trabajo.

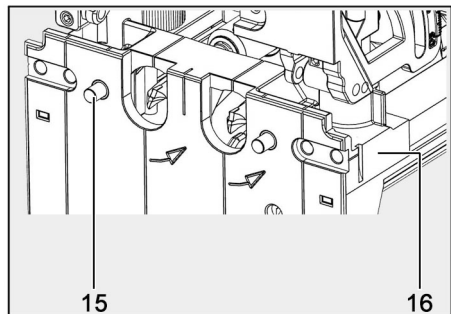


Fig. 51: Placa base con espigas de ajuste y superficies de apoyo

La máquina tiene varias marcas para orientarse.

La placa base tiene marcas en la parte superior, delantera e inferior.

- Borde de apoyo de los topes accesorios (A)
- Centro de la broca (B)
- Centro de la máquina (C)

Las marcas de la izquierda y la derecha de las superficies laterales corresponden con el centro de la broca.

Las flechas que hay en la parte delantera de la placa base indican la dirección de giro de la broca.

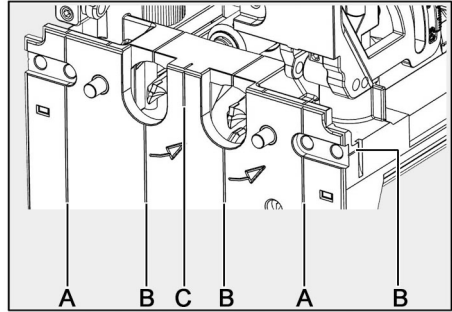


Fig. 52: Marcas de la máquina

También se puede taladrar en vertical con la máquina si se abate el tope giratorio 1. El tope giratorio sirve como apoyo adicional.

En el tope giratorio hay tres marcas. La marca central corresponde con el centro de la máquina. de las cuales la derecha y la izquierda se corresponden con el centro de las barrenas.

Comprobar que se mantiene la alineación exacta de las superficies de tope de la máquina con la pieza de trabajo.

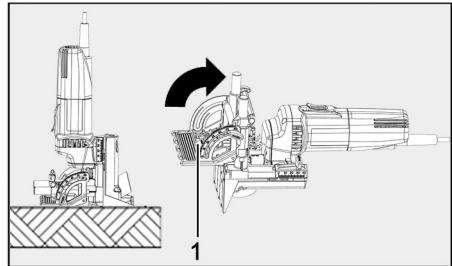


Fig. 53: Preparar la máquina para taladrar en vertical

Para taladrar con la máquina, proceder de la siguiente manera:

1. Fije la pieza de trabajo o asegúrela para que no se mueva.
 - Utilizar para ello las esteras antideslizantes suministradas.
2. Colocar la máquina en horizontal o vertical sobre la pieza de trabajo según sea necesario.
3. Fijar la máquina al borde exterior de la pieza de trabajo con las espigas de tope de suspensión o con los accesorios descritos a continuación.
 - Controle que se mantiene la alineación exacta de la máquina y las superficies de tope con el aparato y la pieza de trabajo.
4. Conecte la máquina.
5. Desplazar la unidad del motor hasta el tope.
6. Tirar de la carcasa del motor y desconectar la máquina.
 - ✓ Se ha realizado el orificio.

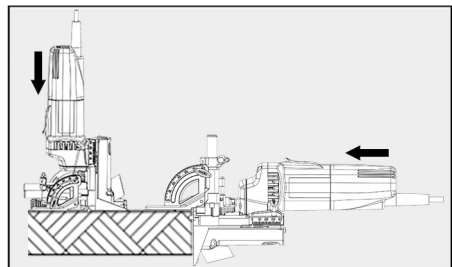


Fig. 54: Taladrar con la máquina

Taladrar con accesorios

Taladrar con set de tope adicional

Los topes adicionales permiten ajustar diferentes distancias con el borde.

Distancias con el borde:

- A = 32 mm [1.26 in] / para filas con agujeros
- B = 43 mm [1.69 in] / como tope de reposicionamiento
- C = 32 mm [1.26 in] / para trabajos en bisel
- D = 7,5 mm [0.31 in] / como tope paralelo para mecanizado de listones

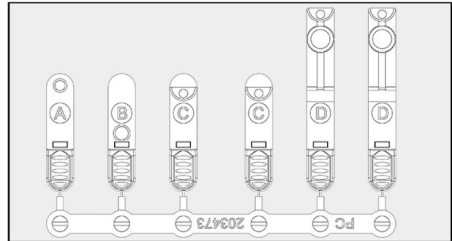


Fig. 55: Topes adicionales

Los topes adicionales se pueden insertar en las superficies de tope de la placa base.

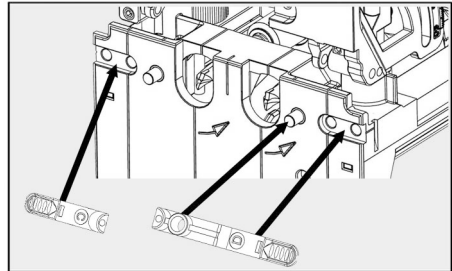


Fig. 56: Puntos de inserción para toques adicionales

7.1 Trabajar con accesorios especiales

Para la máquina se pueden adquirir diferentes accesorios especiales. Encontrará una lista en el capítulo 10 Accesorios especiales.

A continuación se explicarán diferentes tipos de uso.

7.1.1 Taladrar con calibre de perforaciones

Para taladrar en horizontal, proceder de la siguiente forma:

1. Colocar el calibre de taladrar para tacos hacia la cara frontal de la pieza de trabajo y hacer una marca a la izquierda y a la derecha.
2. Colocar el calibre de taladrar para tacos con las marcas y fijar.

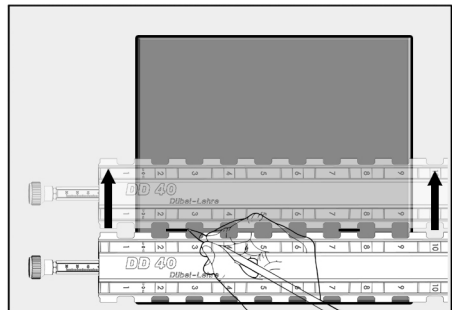


Fig. 57: Marcar la posición para el calibre de taladrar

3. Ajustar la distancia deseada en el tope giratorio.
 - Consultar para ello el capítulo 6.7 Ajuste de altura del tope basculante.
4. Colocar al ras de la pieza de trabajo con el tope giratorio.
5. Desplazar el calibre a la posición deseada hasta el tope con el engranaje del tope giratorio y taladrar los orificios.
 - ✓ Se ha taladrado en horizontal con calibre de taladrado.

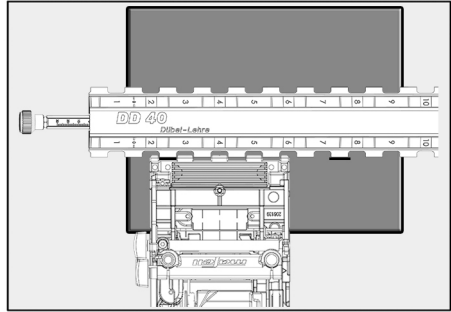


Fig. 58: Colocar la máquina en el calibre de taladrado

Para taladrar en vertical con el calibre de taladrado, proceder de la siguiente forma:

1. Ajustar la distancia deseada en el tope giratorio.
2. Colocar la máquina en horizontal con el tope giratorio en la cara frontal de la pieza de trabajo.
3. Hacer una marca a la izquierda y derecha del engranaje de la placa base.

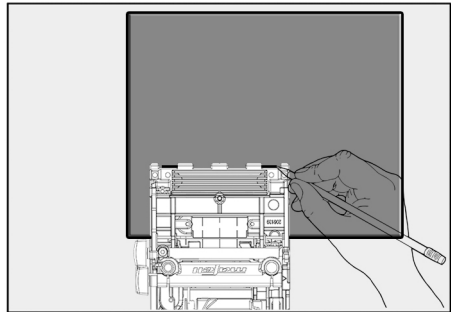


Fig. 59: Colocar la máquina al ras de la pieza de trabajo con el tope giratorio

4. Colocar el calibre de taladrado para tacos con las marcas y fijar.
5. Colocar la máquina en vertical.
6. Desplazar el calibre a la posición deseada hasta el tope con el engranaje de la placa base y taladrar los orificios desde arriba.
 - ✓ Se ha taladrado en vertical con calibre de taladrado.

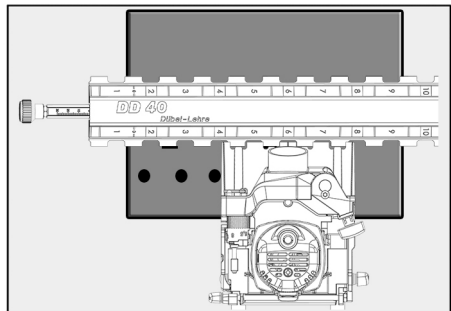


Fig. 60: Colocar la máquina en vertical contra el calibre de taladrado

8 Mantenimiento y reparación



Las máquinas de MAFELL requieren escaso mantenimiento.

Los rodamientos de bolas utilizados están engrasados de forma permanente. Se recomienda llevar la máquina a un centro de servicio al cliente autorizado de MAFELL para su revisión después de algún tiempo de funcionamiento.

Almacenaje

Limpiar cuidadosamente la máquina si no se va a utilizar durante un largo período de tiempo. Pulverizar piezas de metal fino con un producto antioxidante.

9 Eliminación de fallos técnicos

 Advertencia	
	<p>Riesgo de lesiones si la máquina se conecta de repente.</p> <p>Las distracciones al trabajar con la máquina o al solucionar fallos técnicos puede hacer que la máquina se conecte de repente. Como consecuencia, se pueden producir lesiones graves con la herramienta giratoria.</p> <ul style="list-style-type: none"> ➤ La determinación y eliminación de fallos técnicos requieren siempre especial cuidado. ➤ Desenchufar antes de solucionar fallos técnicos.

A continuación, se indican los fallos más frecuentes y sus causas. En caso de que se produzcan otros errores, diríjase a su distribuidor o directamente al servicio técnico de MAFELL.

Fallo	Causa	Solución
No se puede poner en marcha la máquina	Poca o ninguna tensión de red	Solicitar al electricista que compruebe el suministro de tensión
	Fusible de red defectuoso	Solicitar al electricista que sustituya el fusible
	Escobillas de carbón desgastadas	Entregue la máquina a un centro de servicio al cliente autorizado de MAFELL
La máquina se para durante la perforación	Falta de tensión	Solicitar a un electricista que compruebe los fusibles del lado de la red
	Escobillas de carbón desgastadas	Entregue la máquina a un centro de servicio al cliente autorizado de MAFELL
Señales de quemaduras en las perforaciones	Broca no apta para el proceso de trabajo o despuntada	Reafile o cambie las barrenas
Eyector de virutas obstruido	Madera demasiada húmeda	Secar la madera
	Perforar intensivamente sin sistema de aspiración conectado	Conectar la máquina a un sistema de aspiración externo

10 Accesorios especiales

- Broca para tacos - HS-TiN Ø 3 mm	Referencia 090 083
- Broca para tacos - HM Ø 5 mm	Referencia 090 089
- Broca para tacos - HM Ø 6 mm	Referencia 090 096
- Broca para tacos - HM Ø 6.1mm	Referencia 090 120
- Broca para tacos - HM Ø 7 mm	Referencia 090 121
- Broca para tacos - HM Ø 8 mm	Referencia 090 097
- Broca para tacos - HM Ø 8.1 mm	Referencia 090 122
- Broca para tacos - HM Ø 8.2 mm	Referencia 090 123
- Broca para tacos - HM Ø 10 mm	Referencia 090 098
- Broca para tacos - HM Ø 10.1 mm	Referencia 090 124
- Broca para tacos - HM Ø 10.2 mm	Referencia 090 125
- Broca para tacos - HM Ø 12 mm	Referencia 090 099
- Broca para tacos - HM Ø 12.1 mm	Referencia 090 126
- Broca para tacos - HM Ø 12.2 mm	Referencia 090 127
- Broca para tacos - HM Ø 14 mm	Referencia 090 128
- Broca para tacos - HM Ø 15 mm	Referencia 090 129
- Broca para tacos - HM Ø 16 mm	Referencia 090 085
- Broca para tacos - HM Ø 16.2 mm	Referencia 090 130
- Calibre de tacos con dispositivo de sujeción	Referencia 203 980
- Prolongación para calibre de taladrado para tacos 1600 completo, 1600 mm de largo	Referencia 203 434
- Adaptador para prolongación para calibre de perforaciones para tacos	Referencia 203 437
- Gato con tope (para trabajos con la prolongación del calibre de taladrado para tacos)	Referencia 093 280
- Gato (para fijar el riel a la pieza de trabajo)	Referencia 093 281
- Clavija de madera, consultar en distribuidores, tienda de materiales de construcción etc.	

11 Dibujo de explosión y lista de piezas de recambio

Encontrará la información correspondiente sobre las piezas de repuesto en nuestra página web:
www.mafelli.com