

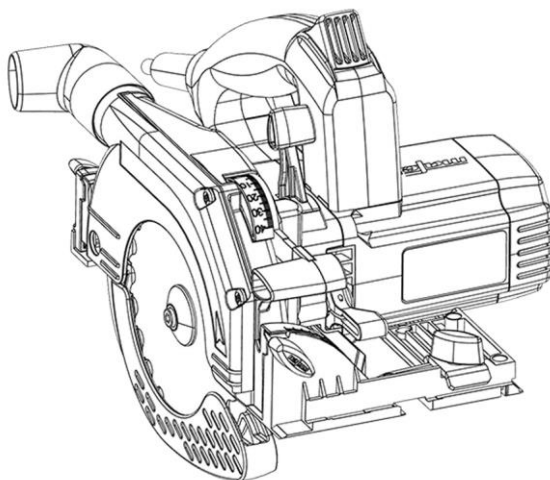
**IMPORTANT**  
Read Before Using

**IMPORTANT**  
Lire avant usage

**IMPORTANTE**  
Leer antes de usar



**Operating/Safety Instructions**  
**Consignes d'utilisation/de sécurité**  
**Instrucciones de funcionamiento y seguridad**



For English Version  
See page 2

Version française  
Voir page 30




Versión en español  
Ver la página 58

**Table of contents**

1	Signs and symbols .....	3
1.1	Identification of the device .....	5
2	Product specifications .....	5
2.1	Technical data .....	6
2.2	Scope of delivery .....	6
2.3	Adjustment elements .....	7
3	General safety .....	8
3.1	Intended use .....	8
3.2	Foreseeable misuse .....	8
3.3	Safety instructions .....	9
3.4	Specific safety rules .....	10
3.5	Safety devices .....	14
3.6	Residual risks .....	15
4	Setup / adjustment .....	15
4.1	Mains connection .....	15
4.2	Routing of the connecting cable .....	15
4.3	Chip extraction .....	16
4.4	Saw blade selection .....	16
4.5	Changing the saw blade .....	16
4.6	Riving knife .....	19
5	Operation .....	20
5.1	Startup .....	20
5.2	Switching on .....	20
5.3	Switching off .....	20
5.4	Cutting depth setting .....	21
5.5	Setting for bevel cuts .....	21
5.6	Plunge cuts .....	22
5.7	Shadow gap cuts .....	23
5.8	Sawing with the Flexi bar .....	24
5.9	Sawing along markings .....	25
5.10	Sawing with the parallel guide fence .....	26
5.11	Working with the guiding device .....	27
6	Service and maintenance .....	27
6.1	Storage .....	27
7	Troubleshooting .....	27
8	Optional accessories .....	29
9	Exploded view and spare parts list .....	29






## 1 Signs and symbols

These operating instructions contain the following general information signs to guide you, the reader, through the operating instructions and to provide you with important information.

Sign	Meaning
	<b>Important information</b> This sign highlights user tips and other useful information.
	Identifies an intermediate result in a sequence of actions.
	Identifies the final result of a sequence of actions.





Tab. 1: General signs and their meanings

Warning icons warn of dangerous points, risks and obstacles.

Icon	Meaning
	<b>Warning</b> This icon can be found at all locations where you can find information regarding your safety. Non-observance can result in extremely serious injuries.
	Warns of danger of electric shock.
	Warns of danger caused by dust.
	Warns of the danger of cutting.
	Warns of the danger of cutting off or severing limbs.

Tab. 2: Warning icons and their meanings




Mandatory icons are intended to prevent accidents.

Icon	Meaning
	Wear eye protection.
	Wear dust mask.
	Wear hearing protection.
	Wear protective gloves.

Tab. 3: Mandatory icons and their meanings

During the operation of the power tool there are always actions to be taken where hazards can occur. These potentially dangerous actions are preceded by warnings which must be observed.






#### Classification of the danger level (signal words) of warnings

Warning	Meaning and consequences of non-observance
 <b>Danger</b>	Imminent danger that will cause serious or fatal injuries.
 <b>Warning</b>	Potentially dangerous situation that can cause serious or fatal injuries.
 <b>Caution</b>	Potentially dangerous situation that can cause minor injuries.

Tab. 4: Structure of warnings

### 1.1 Identification of the device

The icons listed and explained below can be found on the rating plate or on the product.

Symbol	Explanation	Symbol	Explanation
V	Volt	1, 2, 3, ... I, II, III, ...	Rotational speed setting
A	Ampere	rpm	Revolutions per minute
Hz	Hertz	∅	Saw blade diameter
W	Watt	~	Alternating current
kg	Kilogram (weight)		Protection class II
min	Minutes (time)		Read operating instructions
s	Seconds (time)		Protective goggles
n <sub>0</sub>	Rated speed at no load		Hearing protection
n	Rated speed at normal load		Dust mask

## 2 Product specifications

for machines with item number 916733

The article number and machine number are listed on the type plate of the machine.



By entering the article number and machine number on the MAFELL homepage, you can call up the spare parts lists, exploded drawings, and other product information belonging to your machine (see also Chapter 9 Exploded view and spare parts list).

## 2.1 Technical data

Universal motor	120 V~, 60 Hz
Power consumption (normal load)	1000 W
Current at normal load	9.1 A
Saw blade speed at no load	8800 rpm
Saw blade speed at normal load	5690 rpm
Cutting depth 0°/30°/45°	42/36/29 mm [1.65/1.42/1.14 in]
Saw unit swivel range	0° to 45°
Saw blade diameter max/min	120/112 mm [4.72/4.41 in]
Saw blade body thickness	1.2 mm [0.05 in]
Tool cutting width	1.8 mm [0.07 in]
Saw blade mounting hole	20 mm [0.8 in]
Hose connector diameter	28 mm [1.10 in]
Weight without power cord, without parallel guide fence	2.3 kg [10.14 lbs]
Dimensions including guiding device (width x length x height)	200 x 550 x 200 mm [7.87 x 21.65 x 7.87 in]

## 2.2 Scope of delivery

Components	
A	Hand-held circular saw KSS300
B	Allen key in a holder on the machine
C	Parallel guide fence
D	Transport box
E	Flexi bar
F	Guiding device S
Additionally included: 1 hose connector	

Fig. 1: Scope of delivery

### 2.3 Adjustment elements

Adjustment elements on the machine	
1	Plunge lever
2	Cutting depth scale
3	Pre-feed lever
4	Switch-on lock
5	Wing screws
6	Operating lever
7	Clamping lever
8	Tilting segment scale
9	Tilting segment wing screw
10	Locking pin

Fig. 2: Front and rear adjustment elements

### 3 General safety

#### Warning

**Please read all safety instructions and directions.** Failure to comply with the safety instructions and directions can cause electric shock, fire and/or serious injuries. **Please retain all safety instructions and directions for future reference.**

#### 3.1 Intended use

The hand-held circular saw is only suitable for ripping and cross cutting of solid wood.

Panel material such as chip board, core board and medium density fiber board can also be processed.

Processing wood fiber insulation materials is also possible.

Use only saw blades that are approved by the manufacturer.

#### 3.2 Foreseeable misuse

The machine is not intended for any other use than the intended use listed above.

The manufacturer is not liable for any damage resulting from such other use.

To use the machine as intended, comply with the operating, maintenance and repair conditions specified by MAFELL.

##### **Foreseeable misuse also includes:**

- Tampering with, removing and/or bypassing safety devices of any kind.
- Operating the machine without safety devices.
- Non-observance of safety and warning instructions in the operating instructions.
- Removing the safety and warning labels from the machine.
- Operating the machine by unauthorized persons.
- Failure to follow prescribed maintenance and care instructions.

##### **Never use:**

- Cracked and/or deformed saw blades.
- Saw blades made of high speed steel (HSS saw blades).
- Blunt saw blades as they impose an excessive load on the motor.
- Saw blades with a base body thicker than or a cutting width smaller than the riving knife.
- Saw blades that are not suitable for the no load speed of the saw blade.
- Abrasive wheels.




### 3.3 Safety instructions

#### READ ALL INSTRUCTIONS!

Non-observance of the instructions listed below can cause electric shock, fire and/or serious injuries.

#### Work area

- Children and adolescents are not allowed to operate this machine.
- When using the machine outdoors, the use of an earth leakage circuit breaker is recommended.
- Replace damaged cables or plugs immediately. To avoid safety hazards, only MAFELL or an authorized MAFELL service workshop is allowed to replace parts.
- Prevent sharp kinks of the cable. Do not wrap the cable around the machine, especially when transporting and storing the machine.
- Do not use this machine when you are tired, or under the influence of drugs, alcohol or medicaments. Be aware of what you are doing. Stay alert and use common sense.
- Keep children and bystanders at a distance while you are operating the machine. Distractions can cause you to lose control of the machine.
-  Use eye protection, dust mask and hearing protection. Appropriate safety equipment, used under proper conditions, will reduce the risk of injuries.

#### Instructions for service and maintenance:

- Cleaning the machine regularly, especially the adjustment elements and the guiding devices, is an important safety factor.
- Ensure that only genuine MAFELL spare parts and accessories are used. Failure to do so will make warranty claims and the liability of the manufacturer null and void.
- **Prepare a periodic maintenance schedule for your machine. When you clean the machine, be careful not to disassemble any part of the machine. Reassembling the machine bears the risk that internal wires are routed incorrectly or pinched, or that return springs of the safety device are mounted incorrectly.** Certain cleaning agents, such as gasoline, carbon tetrachloride, ammonia, etc. can damage plastic parts.
- **Some of the dust produced by sawing, sanding, drilling and other building work contains chemicals known to cause cancer, birth defects or other reproductive harm. Some examples of these chemicals are:**
  - Lead from lead-based paints,
  - Crystalline silica from bricks and cement and other masonry products,
  - Arsenic and chromium from chemically treated wood.

Your risk from this hazard varies with the frequency at which you perform this type of work. To reduce your exposure to these chemicals: Work in a well-ventilated area. Work only with approved safety equipment, such as dust masks that are specially designed to filter out particles of microscopic size.

### 3.4 Specific safety rules

#### Sawing method

- **DANGER: Keep hands away from cutting area and the blade. Keep your second hand on auxiliary handle, or motor housing.** If both hands are holding the saw, they cannot be cut by the blade.

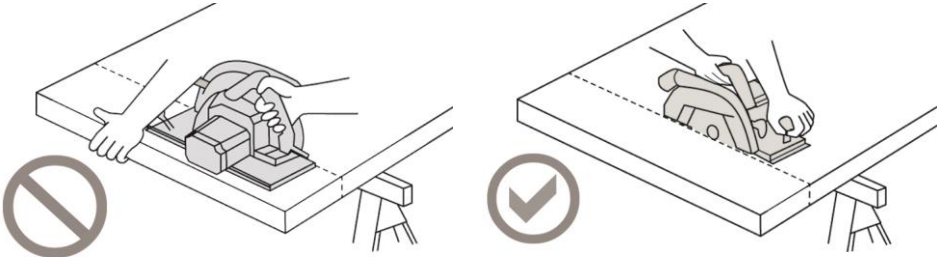


Fig. 3: Incorrect sawing vs. correct sawing

- **Do not reach underneath the workpiece.** The guard cannot protect you from the blade below the workpiece.
- **Adjust the cutting depth to the thickness of the workpiece.** Less than a full tooth of the blade teeth should be visible below the workpiece.
- **Never hold the workpiece in your hands or across your leg while cutting. Secure the workpiece to a stable platform.** It is important to support the work properly to minimize body exposure, blade binding, or loss of control.
- **Hold the power tool by insulated gripping surfaces, when performing an operation where the cutting tool may contact hidden wiring or its own cord.** Contact with a "live" wire will also make exposed metal parts of the power tool "live" and could give the operator an electric shock.
- **When ripping, always use a rip fence or straight edge guide.** This improves the accuracy of cut and reduces the chance of blade binding.
- **Always use blades with correct size and shape (diamond versus round) of arbour holes.** Blades that do not match the mounting hardware of the saw will run off-centre, causing loss of control.
- **Never use damaged or incorrect blade washers or bolt.** The blade washers and bolt were specially designed for your saw, for optimum performance and safety of operation.

### Kickback - causes and related safety instructions

- Kickback is a sudden reaction to a pinched, jammed or misaligned saw blade, causing an uncontrolled saw to lift up and out of the workpiece toward the operator;
- When the blade is pinched or jammed tightly by the kerf closing down, the blade stalls and the motor reaction drives the unit rapidly back toward the operator;
- If the blade becomes twisted or misaligned in the cut, the teeth at the back edge of the blade can dig into the top surface of the wood causing the blade to climb out of the kerf and jump back toward the operator.

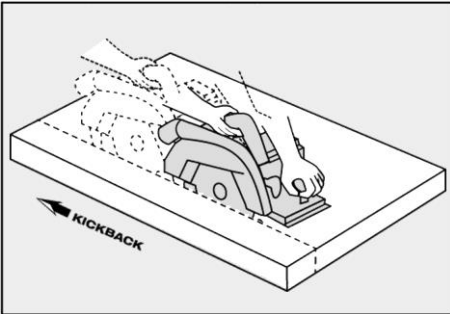


Fig. 4: Kickback of the machine

Kickback is the result of saw misuse and/or incorrect operating procedures or conditions and can be avoided by taking proper precautions as given below.

- **Maintain a firm grip with both hands on the saw and position your arms to resist kickback forces. Position your body to either side of the blade, but not in line with the blade.** Kickback could cause the saw to jump backwards, but kickback forces can be controlled by the operator, if proper precautions are taken.
- **When blade is binding, or when interrupting a cut for any reason, release the trigger and hold the saw motionless in the material until the blade comes to a complete stop. Never attempt to remove the saw from the work or pull the saw backward while the blade is in motion or kickback may occur.** Investigate and take corrective actions to eliminate the cause of blade binding.
- **When restarting a saw in the workpiece, centre the saw blade in the kerf so that the saw teeth are not engaged into the material.** If a saw blade binds, it may walk up or kickback from the workpiece as the saw is restarted.

- **Support large panels to minimise the risk of blade pinching and kickback.** Large panels tend to sag under their own weight. Supports must be placed under the panel on both sides, near the line of cut and near the edge of the panel.

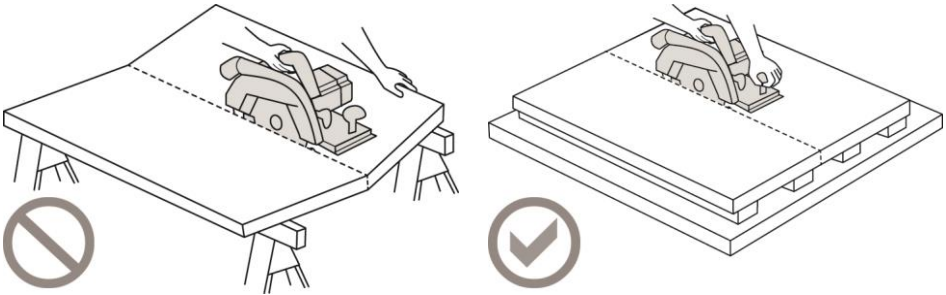


Fig. 5: Incorrect support vs. correct support

- **Do not use dull or damaged blades.** Unsharpened or improperly set blades produce narrow kerf causing excessive friction, blade binding and kickback.
- **Blade depth and bevel adjusting locking levers must be tight and secure before making the cut.** If blade adjustment shifts while cutting, it may cause binding and kickback.
- **Use extra caution when sawing into existing walls or other blind areas.** The protruding blade may cut objects that can cause kickback.

#### Function of the lower guard



- **Check the lower guard for proper closing before each use. Do not operate the saw if the lower guard does not move freely and close instantly. Never clamp or tie the lower guard into the open position.** If the saw is accidentally dropped, the lower guard may be bent. Raise the lower guard with the retracting handle and make sure it moves freely and does not touch the blade or any other part, in all angles and depths of cut.
- **Check the operation of the lower guard spring. If the guard and the spring are not operating properly, they must be serviced before use.** Lower guard may operate sluggishly due to damaged parts, gummy deposits, or a build-up of debris.
- **The lower guard may be retracted manually only for special cuts such as "plunge cuts" and "compound cuts". Raise the lower guard by the retracting handle and as soon as the blade enters the material, the lower guard must be released.** For all other sawing, the lower guard should operate automatically.
- **Always observe that the lower guard is covering the blade before placing the saw down on bench or floor.** An unprotected, coasting blade will cause the saw to walk backwards, cutting whatever is in its path. Be aware of the time it takes for the blade to stop after switch is released.

### Function of the riving knife

- **Use the appropriate saw blade for the riving knife.** For the riving knife to function, the body of the blade must be thinner than the riving knife and the cutting width of the blade must be wider than the thickness of the riving knife.
- **Adjust the riving knife as described in this instruction manual.** Incorrect spacing, positioning and alignment can make the riving knife ineffective in preventing kickback.
- **Always use the riving knife except when plunge cutting.** The riving knife must be replaced after plunge cutting. The riving knife causes interference during plunge cutting and can create kickback.
- **For the riving knife to work, it must be engaged in the workpiece.** The riving knife is ineffective in preventing kickback during short cuts.
- **Do not operate the saw if the riving knife is bent** Even a light interference can slow the closing rate of a guard.

**RETAIN THESE INSTRUCTIONS!**

3.5 Safety devices



 <b>Danger</b>	
	<p><b>Risk of injury from missing safety devices</b></p> <p>These devices are necessary for the safe operation of the machine. They must not be removed or rendered ineffective.</p> <ul style="list-style-type: none"> <li>➤ Check the proper functioning of the safety devices before you start operating the machine.</li> <li>➤ Never use the machine with missing or ineffective safety devices.</li> </ul>

The machine is equipped with the following safety devices:

Safety device	Type of check
Upper fixed guard	Visual check for damage
Lower movable guard	Functional check (complete opening and jerk-free abrupt closing)
Large base plate	Visual check for damage and deformation
Handles	Visual check for damage
Riving knife/splitter	Visual check for damage and deformation
Switching device and brake	Functional check (braking time must not be longer than 7 seconds)
Hose connector	Visual check for damage and obstruction

If the safety devices are damaged or not functioning properly, follow the instructions in the chapter Troubleshooting. For other malfunctions, please contact your dealer or MAFELL Customer Service directly.

### 3.6 Residual risks

 <b>Warning</b>	
	<p><b>Risk of injury when working with the machine</b></p> <p>Even when the machine is used as intended and in compliance with the safety regulations, there are still residual risks caused by the intended use, which can have consequences for your health.</p> <ul style="list-style-type: none"> <li>➤ Observe the safety instructions and information in these instructions.</li> <li>➤ Always be extremely careful and cautious when you work with the machine.</li> </ul>

The existing residual risks include:



- Contact with the saw blade in the area of the start-up opening below the base plate.
- Contact with the part of the saw blade that protrudes below the workpiece during the cutting process.
- Contact with rotating parts from the side: Saw blade, clamping flange and flange bolt.
- Kickback of the machine when jammed in the workpiece.
- Breakage and ejection of the saw blade or parts of the saw blade.
- Impaired hearing when working without hearing protection for long periods of time.
- Emission of harmful wood dusts during longer operation without extraction.
- FLEXI bar snapping open in case of improper use.

## 4 Setup / adjustment


### 4.1 Mains connection

Prior to starting up the machine, check to ensure that the mains voltage corresponds to the operating voltage specified on the rating plate of the machine.

### 4.2 Routing of the connecting cable

 <b>Warning</b>	
	<p><b>Electric shock when cutting into the connecting cable</b></p> <p>The connecting cable can impair safety functions and work functions and get into contact with the cutting tool. Cutting into the connecting cable of the machine puts the metal parts of the machine under tension and causes an electric shock. There is a risk of injury for the user.</p> <ul style="list-style-type: none"> <li>➤ When working, pay attention to the way the connecting cable is routed.</li> <li>➤ Never cut into the connecting cable of your machine.</li> </ul>

### 4.3 Chip extraction

<b>! Caution</b>	
	<p><b>Health hazards from wood dust</b></p> <p>The dusts produced during work can be inhaled and can cause health damage.</p> <ul style="list-style-type: none"> <li>➤ Harmful dust must be extracted with a HEPA 13 dust extractor.</li> <li>➤ Wear a dust mask during work.</li> </ul>

For all work that produces a significant amount of dust, connect the machine to a suitable external extraction device. The air velocity must be at least 20 m/s [65 ft/sec].

The outside diameter of the hose connector is 28 mm [1.1 in].

### 4.4 Saw blade selection

To achieve good cutting quality, use a sharp tool and select a tool from the following list that is appropriate for material and application:

**Cutting softwood and hardwood across and along the grain direction:**

- Carbide circular saw blade Ø 120 x 1.8 x 20 mm, 24 teeth [Ø 4.72 x 0.07 x 0.79 in]

**Cutting softwood and hardwood especially along the grain direction:**

- Carbide circular saw blade Ø 120 x 1.8 x 20 mm, 12 teeth [Ø 4.72 x 0.07 x 0.79 in]

**Cutting softwood and hardwood especially across the grain direction:**

- Carbide circular saw blade Ø 120 x 1.8 x 20 mm, 40 teeth [Ø 4.72 x 0.07 x 0.79 in]

**Cutting laminate:**

- Carbide circular saw blade Ø 120 x 1.8 x 20 mm, 40 teeth [Ø 4.72 x 0.07 x 0.79 in]


**Cutting wood fiber insulation material:**

- Carbide circular saw blade Ø 120 x 1.8 x 20 mm, 40 teeth [Ø 4.72 x 0.07 x 0.79 in]

**Cutting plastic material (styrofoam):**

- Carbide circular saw blade Ø 120 x 1.8 x 20 mm, 24 teeth [Ø 4.72 x 0.07 x 0.79 in]

### 4.5 Changing the saw blade

<b>! Caution</b>	
	<p><b>Risk of injury from the sharp saw blade</b></p> <p>The saw blade is sharp. You can hurt yourself when you change the saw blade.</p> <ul style="list-style-type: none"> <li>➤ Wear protective gloves when you change the saw blade.</li> <li>➤ Be careful when you change the saw blade.</li> </ul>



**Use the following procedure to change the saw blade:**

1. Pull out the power plug of the machine.
2. Put down the cable where you can see it.
3. Put the disconnected machine on a flat surface.
4. To move the movable guard to the maximum open position, either use the pre-feed lever (3) or do it manually.
  - To remove the saw blade, manually hold the guard in the open position.
5. Press and hold the locking pin (10).

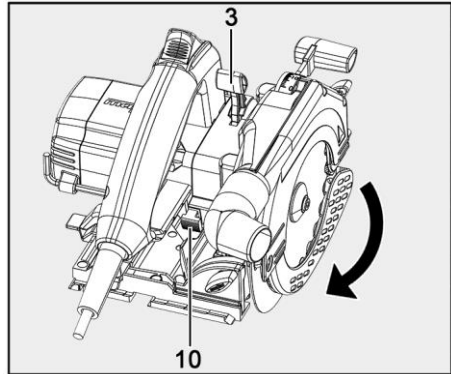


Fig. 6: Locking the saw shaft

6. Insert the Allen key (B) into the flange screw (11) and turn it **counterclockwise** until the saw shaft locks home into the locking device.
  - The saw blade is retained in position and the flange screw can be released.
7. Using the Allen key (B), turn the flange screw (11) **counterclockwise** to loosen it.
  - You can now release the locking pin.
8. Remove the flange screw (11) and the front clamping flange (12).
9. Remove the old saw blade.
  - Clamping flanges must be free of adhering parts!
  - The new saw blade can now be installed.

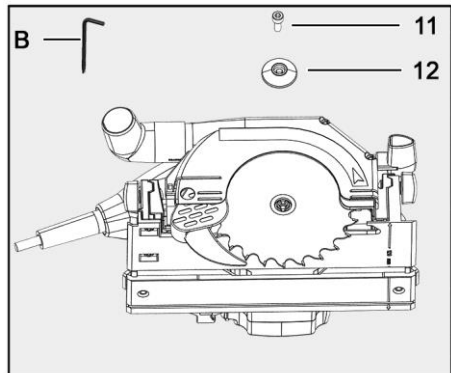


Fig. 7: Removing the old saw blade

10. Position the new saw blade (13) on the rear flange (15).
  - Ensure that the direction of rotation is correct when you install the saw blade. The saw teeth or the arrow on the saw blade (13) must point in the direction of the arrow (14) on the machine.
11. Fit clamping flange (12) and flange screw (11).

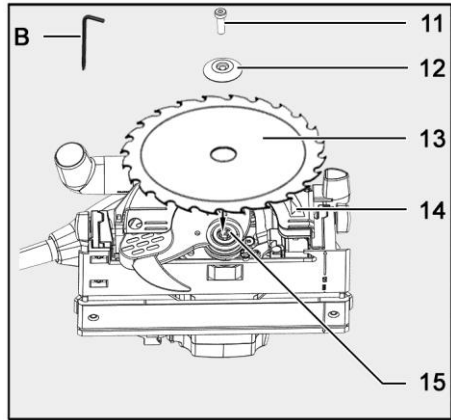


Fig. 8: Replacing the saw blade

12. Press and hold the locking pin (10).
13. Using the Allen key (B), turn the flange screw (11) **clockwise** to tighten it.
  - You can now release the locking pin.
  - The saw blade is secured.
14. Close the movable guard.
  - ✓ The saw blade is changed.

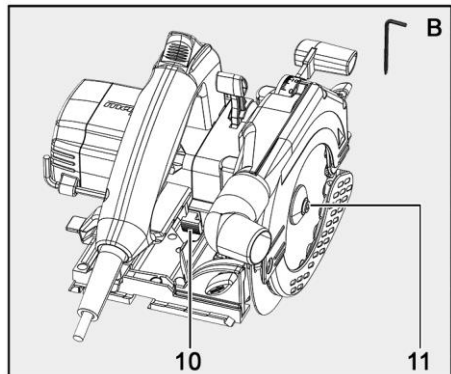


Fig. 9: Securing the saw blade

#### 4.6 Riving knife

The riving knife prevents the saw blade from jamming during rip cutting. In addition, the riving knife retracts into the machine during plunge cuts. This prevents kickback during the sawing process.

The correct distance to the saw blade is shown in the figure.

##### Use the following procedure to adjust the distance of the riving knife:

1. Pull out the power plug of the machine.
2. Using the Allen key (B) provided, turn the screw (16) **counterclockwise** to adjust it.
3. Move the riving knife along its longitudinal slot to adjust it.
  - Do not exceed the maximum distance to the saw blade (see Fig.. 10).
4. Using the Allen key (B), turn the flange screw (16) **clockwise** to tighten it.
  - ✓ The riving knife distance is set.

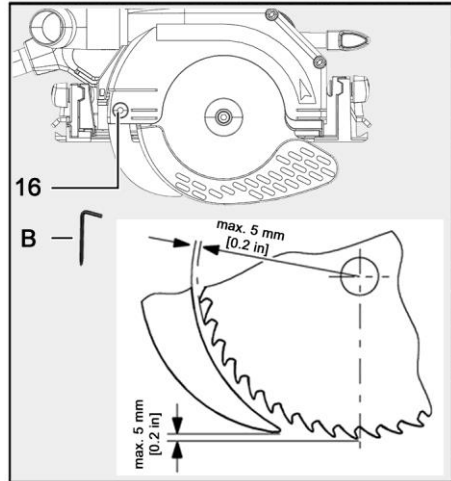


Fig. 10: Distance riving knife to saw blade

## 5 Operation

### 5.1 Startup

#### **Warning**

These operating instructions must be brought to the attention of all persons entrusted with the operation of the machine, with particular emphasis on the chapter "Safety instructions".

### 5.2 Switching on

**Use the following procedure to switch on the machine:**

1. Press the switch-on lock (4) forward to unlock.
2. With the switch-on lock depressed, actuate and hold the operating lever (6).
3. Release the switch-on lock (4).
  - ✓ The machine is switched on

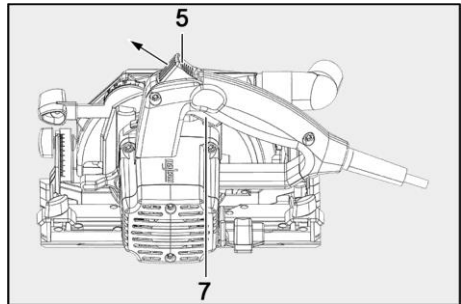


Fig. 11: Switching the machine on



Since the switch is not latching, the machine runs only as long as the operating lever is pressed.

### 5.3 Switching off

**Use the following procedure to switch off the machine:**

1. Release the operating lever (6).
  - The integrated automatic brake limits the coasting time of the saw blade to approx. 5 seconds.
  - The switch-on lock is activated automatically and secures the hand-held circular saw against being switched on inadvertently.
- ✓ The machine is switched off.

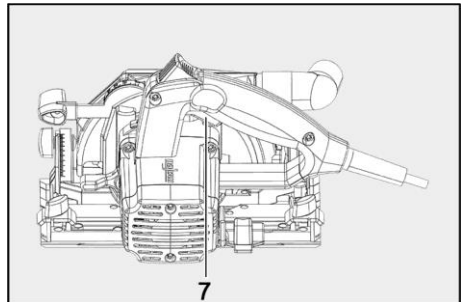


Fig. 12: Switching the machine off



As soon as the braking time exceeds 7 seconds, have the machine checked and a new brake pad installed.

## 5.4 Cutting depth setting

The cutting depth can be set continuously in a range between 0 and 42 mm [0 to 1.65 in].

### Use the following procedure to set the cutting depth:

1. Release the clamping lever (7).
2. Use the plunge lever (1) to set the cutting depth.
  - The cutting depth is indicated on the scale (2) on the cover. The area with a red background of the plunge lever (1) serves as pointer.
3. Tighten the clamping lever (7).
  - ✓ The cutting depth is set.

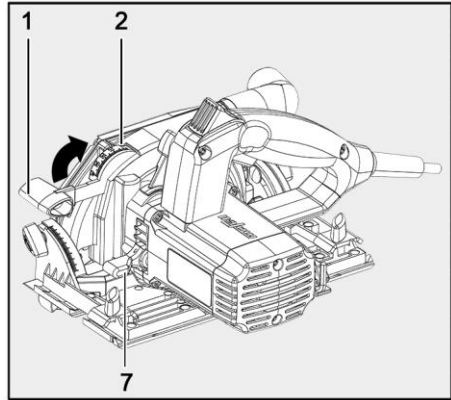


Fig. 13: Setting the cutting depth



For separating cuts, always set the cutting depth to approx. 2 ... 5 mm [0.08 ... 0.2 in] more than the material thickness you want to cut.

## 5.5 Setting for bevel cuts

For bevel cuts, the saw unit can be set to any angle from 0° to 45°.

### Use the following procedure to set the saw unit for bevel cuts:

1. For tilting, put down and support the machine so that the saw unit can be tilted.
2. Loosen the two wing screws (9) of the tilting segment.
3. Use the scale 8 on the tilting segment to set the angle.
4. Tighten the two wing screws (9).
  - ✓ The saw unit is set to the desired angle for the bevel cut.

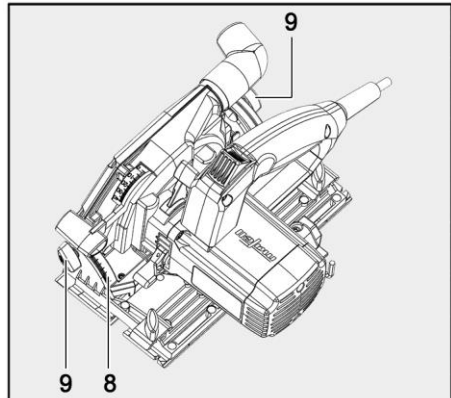


Fig. 14: Setting the saw unit for bevel cuts

## 5.6 Plunge cuts

### Warning



#### Risk of kickback with plunge cuts!

With plunge cuts, there is a risk of kickback when the machine jams. This can cause serious injuries.

- Prior to plunging, position the machine such that the rear edge of the base plate is in contact with a stop that is fixed to the workpiece.
- While plunging in, hold the machine firmly by the handle and push the machine slightly forward!

#### Use the following procedure to perform plunge cuts:

1. Release the clamping lever (7).
2. Using the plunge lever (1), set the machine to the highest position.
3. Using the pre-feed lever (3), open the movable guard completely so that the machine can be positioned on the workpiece you want to work on.
  - Saw blade and riving knife are now free above the material.
4. Align the machine on the workpiece for the plunge cut.
5. Switch on the machine and press down the plunge lever (1).
  - The saw blade now plunges vertically into the workpiece. The plunge depth is indicated on the scale (2). The riving knife swings upward out of the way when the blade enters the workpiece. The riving knife returns to its normal position as soon as the gap behind the saw blade is cleared in the forward movement of the machine.
6. Stop the feed when the end of the plunge cut is reached.
7. Switch off the machine.
8. Using the plunge lever (1), pull the saw blade out of the kerf.
9. Tighten the clamping lever (7).
  - ✓ The plunge cut is performed.

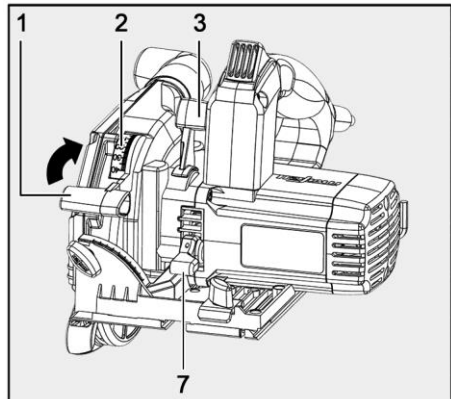


Fig. 15: Plunge cutting

### 5.7 Shadow gap cuts



Take note of the minimum shadow gap width when sawing:

Cutting depth	Shadow gap cut width without parallel guide fence	Shadow gap cut width with parallel guide fence
0 - 32 mm [0 - 1.26 in]	13 mm [0.51 in]	14 mm [0.55 in]
32 - 42 mm [1.26 - 1.65 in]	13 mm [0.51 in]	18 mm [0.71 in]

Use the following procedure to cut a shadow gap:

1. Set the desired cutting depth on the machine.
  - Refer to the table above for the minimum shadow gap width.
2. Using the pre-feed lever (3), pull open the movable protective hood and place the machine on the workpiece to be fitted.
3. Switch on the machine.
4. Push the machine steadily forward in working direction.
  - Use a HEPA class suction unit.
5. Switch off the machine after you have finished machining the workpiece.
  - ✓ Shadow gap cut.

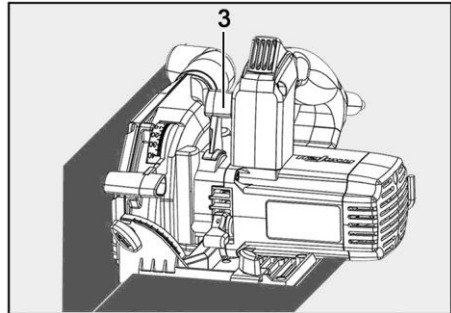


Fig. 16: Cutting a shadow gap

## 5.8 Sawing with the Flexi bar

### Caution



#### Risk of injury due to Flexi bar snapping open

The Flexi bar is pretensioned and can snap open in an uncontrolled manner.

- Hold it firmly with both hands when opening and closing it.

### Before the first use:

The chip breaker guard of the Flexi bar must be cut to fit the bar before it is used for the first time.

#### Use the following procedure to cut the chip breaker guard of the Flexi bar:

1. Put the Flexi bar on a flat surface.
2. Set the cutting depth on the machine to 3 mm and the angle scale to 0°.
3. Position the machine at the red handle of the Flexi bar such that the guide elements (17) of the bar engage in the groove of the base plate.
4. Switch on the machine.
5. Cut the chip breaker guard (18) uniformly along the entire Flexi bar.
6. Switch off the machine.
  - ✓ The chip breaker guard is cut to size.

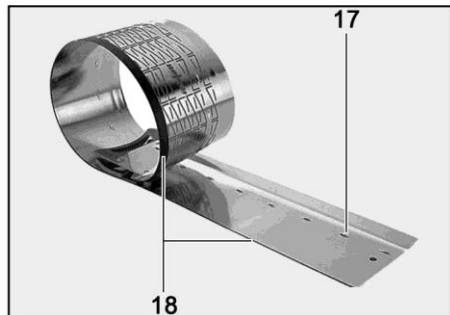


Fig. 17: Trimming the chip breaker guard

The resulting cut edge on the chip breaker guard serves as a tracing edge for straight cuts and bevel cuts.



### Using the Flexi bar:

The Flexi bar allows straight and diagonal cuts up to 1.4 m (55.12 in) cutting length.

#### Use the following procedure to work with the Flexi bar:

1. Put the Flexi bar on the workpiece.
2. Align the Flexi bar on the workpiece.
3. Fit the two clamping claws (19) on the Flexi bar.
4. Clamp the two screw clamps (20) to secure on the two clamping claws (19) and the workpiece.
  - The Flexi bar is secured on the workpiece.
5. Set the desired cutting depth and the inclination angle on the machine.
6. Position the machine at the red handle of the Flexi bar such that the guide elements (17) of the bar engage in the groove of the base plate.
7. Switch on the machine.
8. Push the machine steadily forward in working direction.
9. Switch off the machine after you have finished machining the workpiece.
10. Remove the machine from the Flexi bar.
  - ✓ Machining with the Flexi bar completed.

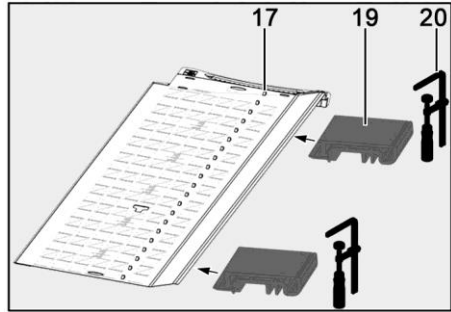


Fig. 18: Using the Flexi bar

### 5.9 Sawing along markings

The base plate has a tracing edge (21), which can be used for vertical cuts as well as for angular cuts. This tracing edge (21) corresponds to the inside (side facing the motor) of the saw blade.

For bevel cuts, the marking can be seen through the opening on the inside of the upper guard (left in cutting direction).

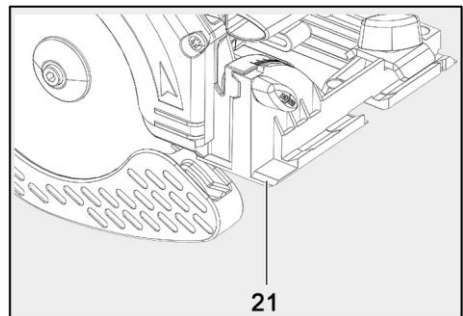


Fig. 19: Tracing edge


**Use the following procedure to saw along markings:**

1. Hold the machine by the handles and position it such that the front part of the base plate is on the workpiece.
2. Position the tracing edge (21) at the marking on the workpiece.
3. Switch on the machine.
4. Ensure that the tracing edge (21) and the front edge of the saw blade are guided along the marking.
5. Push the machine steadily forward in the cutting direction.
6. Switch off the machine at the end of the cut.
  - ✓ Sawing along markings terminated.

**5.10 Sawing with the parallel guide fence**

The parallel guide fence (C) is used for sawing in parallel to an existing edge. The guide fence can be mounted on the right (motor side) or the left (tool side) side of the machine. The possible adjustable distance is 175 to 250 mm [6.89 to 9.84 in] on the right side and 12 mm to 65 mm [0.47 - 2.56 in] on the left side. In the range of 175 to 200 mm [6.89 - 7.87 in] on the motor side, the machine must be moved upwards by approx. 10 mm [0.4 in] so that the guide fence can be inserted underneath the motor housing.

To check the set width, use an additional measuring device (such as a meter stick) to set the parallel guide fence to the correct dimension (edge of parallel guide fence to cutting line).

<b>⚠ Warning</b>	
	<p><b>Risk of injury from defective guard</b></p> <p>There is a risk that the parallel guide fence interferes with the operation of the lower guard if it is used below the minimum dimensions. It is possible that the saw blade is then freely accessible.</p> <ul style="list-style-type: none"> <li>➤ Use the parallel guide only inside the permissible cutting ranges. To ensure this, take note of the scales on the guide bars.</li> </ul>

**Use the following procedure to install the parallel guide fence:**

1. Loosen the wing screws (5) on each side.
2. Insert the parallel guide fence (C) into the guide provided for this purpose.
  - It can be mounted on the left or right side of the machine.
3. Tighten the wing screws (5) on each side.
  - ✓ The parallel guide fence is installed.

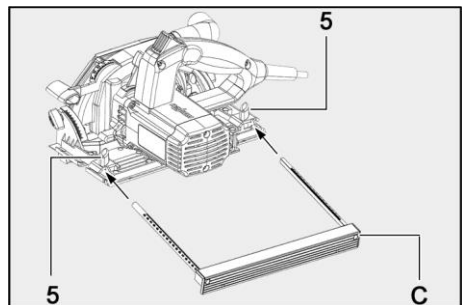


Fig. 20: Installing the parallel guide fence

### Use the following procedure to adjust the cutting width:

1. Loosen the wing screws (5) on each side.
2. Adjust the parallel guide fence.
3. Tighten the wing screws (5) on each side.
  - ✓ The cutting width is adjusted.

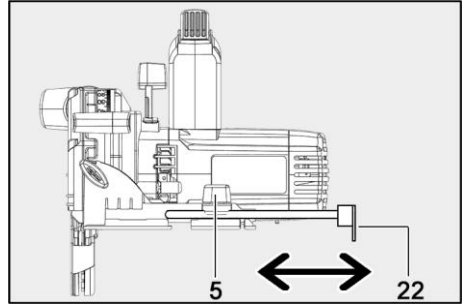


Fig. 21: Adjusting the cutting width via the parallel guide fence



In addition, the parallel guide fence can also be used as a double support for a better guidance of the hand-held circular saw. Simply turn it over (the guide tab (22) points upwards).

Alternatively, you can guide the machine with the parallel guide fence along a guide rail or a wooden ledge fixed on the workpiece. This requires the parallel guide fence to be rotated so that the guide tab (22) points upwards.

#### 5.11 Working with the guiding device



The description for the guiding device can be found in the enclosed instructions "Guiding device L/M/ML/S".

## 6 Service and maintenance

MAFELL machines are of a low-maintenance design.

The installed ball bearings are lubricated for life. After a longer period of operation, MAFELL recommends that the machine be handed over to an authorized MAFELL service workshop for inspection.

### 6.1 Storage

Clean the machine thoroughly if you will not use it for quite some time. Spray bare metal parts with a rust inhibitor.

## 7 Troubleshooting

### Warning



#### Risk of injury from a sudden start of the machine.

There is a risk that the machine starts suddenly due to carelessness when working with the machine or during troubleshooting. The rotating saw blade can cause serious injuries.

- Determining the causes of existing malfunctions and their elimination always require increased attention and caution!
- Pull out the mains plug before you start troubleshooting!

Some of the most common malfunctions and their causes are listed below. For other malfunctions, please contact your dealer or MAFELL Customer Service directly.

<b>Malfunction</b>	<b>Cause</b>	<b>Elimination</b>
Machine can not be switched on	Mains voltage missing or too low	Have the power supply checked by an electrician
	Mains fuse defective	Have fuse replaced by an electrician
	Carbon brushes worn out	Take the machine to the MAFELL customer service workshop
Machine stops during the cutting process	Mains failure	Have the mains back-up fuses checked by an electrician
	Machine overload	Reduce feed rate
	Carbon brushes worn out	Take the machine to the MAFELL customer service workshop
Saw blade jams when pushing the machine forward	Feed rate too high	Reduce feed rate
	Blunt saw blade	Release switch at once. Remove the machine from the workpiece and replace the saw blade
	Tension in the workpiece	Increased caution when sawing, higher risk of kickback.
	Poor machine guidance (e.g. due to unsupported manual guidance)	Use parallel guide fence
	Uneven workpiece surface	Align surface
Saw blade vibrates in the workpiece	Saw blade not adjusted correctly	Retighten saw blade
	Workpiece not secured	Secure workpiece with clamps
Saw blade stops - motor continues rotating	Saw blade not properly secured	Retighten saw blade
Burn marks at the cut surfaces	Saw blade blunt or unsuitable for the operation	Replace saw blade
Chip ejector obstructed	Wood too damp	Clean chip ejector
	Long cutting operation without extraction	Connect the machine to an external extractor, such as a small dust extractor
Lower movable guard does not close or closes only slowly	Chips and wooden fragments in the lower movable guard	Remove chips and wooden fragments

## 8 Optional accessories

- |   |                  |
|---|------------------|
| - Carbide saw blade Ø 120 x 1.8 x 20 mm, 12 teeth [Ø 4.72 x 0.07 x 0.79 in] (ripping)                   | Order no. 092560 |
| - Carbide saw blade Ø 120 x 1.8 x 20 mm, 24 teeth [Ø 4.72 x 0.07 x 0.79 in] (ripping and cross-cutting) | Order no. 092558 |
| - Carbide saw blade Ø 120 x 1.8 x 20 mm, 40 teeth [Ø 4.72 x 0.07 x 0.79 in] (cross-cutting)             | Order no. 092559 |
| - Carbide saw blade Ø 120 x 1.8 x 20 mm, 40 teeth [Ø 4.72 x 0.07 x 0.79 in] (laminated)                 | Order no. 092578 |
| - Flexi bar FX 140  | Order no. 204372 |
| - Flexi bar accessories   |                  |
| - Screw clamp   | Order no. 093281 |
| - Clamping claw   | Order no. 203773 |
| - Suction unit S35 HEPA   | Order no. 91C423 |
| - Guiding device S  | Order no. 208169 |

## 9 Exploded view and spare parts list




The corresponding information on the spare parts can be found on our homepage: [www.mafell.com](http://www.mafell.com)

**Sommaire**

1	Explication des pictogrammes.....	31
1.1	Identification de l'appareil.....	33
2	Données caractéristiques.....	33
2.1	Caractéristiques techniques.....	34
2.2	Équipement standard.....	34
2.3	Éléments de commande.....	35
3	Sécurité générale.....	36
3.1	Utilisation conforme.....	36
3.2	Utilisation non conforme prévisible.....	36
3.3	Consignes de sécurité.....	37
3.4	Consignes de sécurité spécifiques.....	38
3.5	Dispositifs de sécurité.....	42
3.6	Risques résiduels.....	43
4	Équipement / Réglage.....	43
4.1	Raccordement au réseau.....	43
4.2	Pose du câble de raccordement.....	43
4.3	Aspiration des copeaux.....	44
4.4	Choix de la lame.....	44
4.5	Changement de lame.....	44
4.6	Couteau diviseur.....	47
5	Fonctionnement.....	48
5.1	Mise en service.....	48
5.2	Mise en marche.....	48
5.3	Arrêt.....	48
5.4	Réglage de la profondeur de coupe.....	49
5.5	Réglage pour coupes biaisées.....	49
5.6	Coupes en plongée.....	50
5.7	Coupes à joint creux.....	51
5.8	Sciage avec le rail Flexi.....	52
5.9	Sciage d'après tracé.....	53
5.10	Sciage avec le guide parallèle.....	54
5.11	Travail avec le dispositif de guidage.....	55
6	Entretien et maintenance.....	55
6.1	Stockage.....	55
7	Élimination des défauts.....	55
8	Accessoires supplémentaires.....	57
9	Schéma éclaté et liste de pièces de rechange.....	57






## 1 Explication des pictogrammes

La présente notice d'emploi contient les pictogrammes d'information générale suivants, destinés à guider le lecteur et à lui fournir des informations importantes.

Pictogramme	Signification
	<b>Information importante</b> Ce symbole signale la présence de suggestions pour l'utilisation et autres informations utiles.
	Indique un résultat intermédiaire dans une suite d'actions.
	Indique le résultat final d'une suite d'actions.


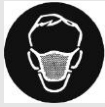


Tab. 5 : pictogrammes généraux et leur signification

Des mises en garde avertissent de la présence de zones dangereuses, risques et obstacles.

Pictogramme	Signification
	<b>Mise en garde</b> Ce pictogramme figure à chaque endroit indiquant des consignes relatives à votre sécurité. Leur non respect peut entraîner des blessures très graves.
	Met en garde contre les risques dus à une décharge électrique
	Met en garde contre les risques dus à la poussière.
	Met en garde contre des coupures.
	Met en garde contre le sectionnement de membres du corps.

Tab. 6: pictogrammes de mise en garde et leur signification




Les pictogrammes d'obligation servent à la prévention des accidents

Pictogramme	Signification
	Porter une protection oculaire.
	Porter un masque de protection contre les poussières.
	Porter une protection auditive.
	Porter des gants de protection.

Tab. 7: pictogrammes d'obligation et leur signification

Pendant l'exploitation de la machine, l'utilisateur doit toujours effectuer des actions pouvant constituer une source de risques. Ces actions présentant des risques sont précédées de mises en garde devant être impérativement respectées.

#### Classification des niveaux de danger (mots-clés) pour les mises en garde






Mise en garde	Signification et conséquences en cas de non-respect
	Danger <b>imminent</b> , entraînant de <b>graves blessures corporelles pouvant avoir une issue mortelle</b> .
	Situation <b>potentiellement</b> dangereuse, risquant d'entraîner de <b>graves blessures corporelles pouvant avoir une issue mortelle</b> .
	Situation <b>potentiellement</b> dangereuse, risquant d'entraîner de <b>légères blessures corporelles</b> .

Tab. 8: conception des mises en garde



### 1.1 Identification de l'appareil

Les pictogrammes ci-après indiqués et explicités peuvent se trouver sur la plaque de type ou le produit.

Pictogramme	Explication	Pictogramme	Explication
V	Volt	1, 2, 3, ... I, II, III, ...	Réglage de la vitesse de rotation
A	Ampère	min <sup>-1</sup>	Rotation par minute
Hz	Hertz	∅	Diamètre de la lame de scie
W	Watt	~	Courant alternatif
kg	Kilogramme (poids)		Classe de protection II
min	Minutes (temps)		Lire la notice d'emploi
s	Secondes (temps)		Lunettes de protection
n <sub>0</sub>	Régime nominal au ralenti		Protection auditive
n	Régime nominal en charge normale		Masque anti-poussière

## 2 Données caractéristiques

pour machines avec numéro d'article 916733

Le numéro d'article et le numéro de machine sont indiqués sur la plaque de type de la machine.



Vous pouvez consulter les listes de pièces de rechange, les vues éclatées et d'autres informations relatives à votre machine en entrant le numéro d'article et le numéro de machine sur le site internet de MAFELL (voir également le chapitre 9 Schéma éclaté et liste de pièces de rechange).

## 2.1 Caractéristiques techniques

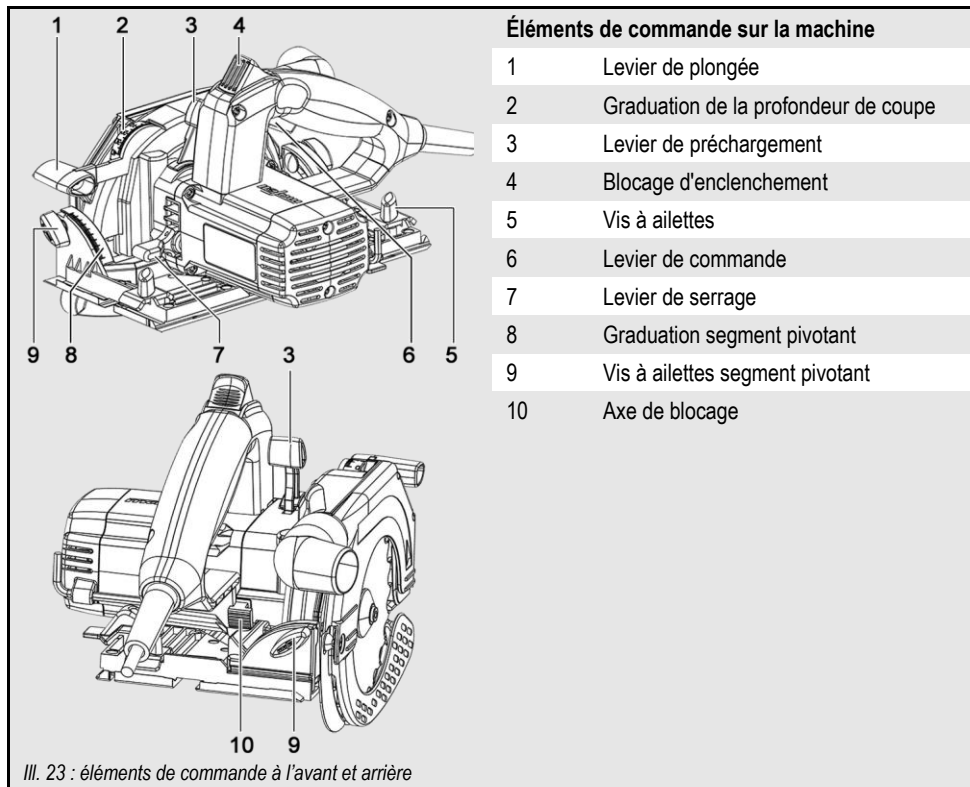
Moteur universel	120 V~, 60 Hz
Puissance absorbée (charge normale)	1000 W
Courant en charge normale	9,1 A
Vitesse de rotation de la lame au ralenti	8800 tr/min
Vitesse de rotation de la lame à charge normale	5690 tr/min
Profondeur de coupe 0°/30°/45°	42/36/29 mm [1,65/1,42/1,14 in]
Groupe de sciage inclinable	0° - 45°
Diamètre maxi/mini de la lame de scie	120/112 mm [4,72/4,41 in]
Épaisseur du corps de base de la lame de scie	1,2 mm [0,5 in]
Largeur de coupe de l'outil	1,8 mm [0,07 in]
Alésage de fixation de la lame	20 mm [0,8 in]
Diamètre du manchon d'aspiration	28 mm [1,10 in]
Poids sans câble réseau, sans guide parallèle	2,3 kg [5,07 lbs]
Dimensions y compris dispositif de guidage (Largeur x longueur x hauteur)	200 x 550 x 200 mm [7,87 x 21,65 x 7,87 in]

## 2.2 Équipement standard

<b>Composants</b>	
<b>A</b>	Scie circulaire portative KSS300
<b>B</b>	Clé à six pans dans la fixation sur la machine
<b>C</b>	Guide parallèle
<b>D</b>	Coffret transportable
<b>E</b>	Rail Flexi
<b>F</b>	Dispositif de guidage S
En outre :	
1 manchon d'aspiration	

III. 22 : Équipement standard

### 2.3 Éléments de commande



### 3 Sécurité générale

#### Avertissement

**Veillez lire toutes les consignes de sécurité et instructions.** Tout non-respect des consignes de sécurité et instructions risque d'être à l'origine de décharges électriques, d'incendies et/ou de blessures graves. **Conservez toutes les consignes et instructions pour pouvoir les relire à tout moment.**

#### 3.1 Utilisation conforme

La machine est exclusivement destinée à la coupe longitudinale et transversale de bois massifs.

Les panneaux dérivés du bois tels que les panneaux de particules, les panneaux lattés et les panneaux MDF peuvent être également usinés.

Le sciage de matériaux isolants en fibres de bois s'avère également possible.

N'utiliser que des lames de scie homologuées par le fabricant.

#### 3.2 Utilisation non conforme prévisible

La machine n'est pas destinée à une autre utilisation que celle conforme, précédemment indiquée.

La responsabilité du fabricant ne pourra pas être mise en cause en cas de dommages résultant d'une utilisation non conforme.

Pour utiliser la machine de façon conforme, respecter les conditions de fonctionnement, maintenance et entretien dictées par Mafell.

#### **Font également partie de l'utilisation non conforme prévisible :**

- Le fait de manipuler, retirer et/ou déjouer des dispositifs de sécurité quels qu'ils soient.
- Le fonctionnement de la machine sans dispositifs de sécurité.
- Le non-respect des consignes de sécurité et mises en garde dans la notice d'emploi.
- Le retrait des consignes de sécurité et mises en garde apposées sur la machine.
- Commande de la machine par des personnes non autorisées.
- Le non-respect des consignes de maintenance et d'entretien.

#### **Ne doivent pas être utilisées :**


- Des lames de scie fissurées ou des lames de scie déformées.
- Des lames de scie en acier rapide fortement allié (HSS).
- Des lames de scie émoussées, occasionnant une surcharge du moteur.
- Des lames de scie dont le corps est plus épais que le couteau diviseur ou dont la largeur de coupe (avoyage) est inférieure à l'épaisseur du couteau diviseur.
- Des lames de scie pas appropriées à la vitesse de rotation à vide.
- Des meules.

### 3.3 Consignes de sécurité

#### LIRE TOUTES LES INSTRUCTIONS !

Le non-respect des instructions ci-après peut être à l'origine de décharges électriques, incendies et/ou graves blessures.

#### Champ d'application

- Il est interdit à des enfants ou à des adolescents de se servir de la machine.
- Lors de l'utilisation de la machine en plein air, il est recommandé de l'équiper d'un interrupteur de protection contre les courants de court-circuit.
- Les câbles ou les fiches détériorés doivent être remplacés sans retard. Afin d'éviter toute menace pour la sécurité, ne confier le remplacement qu'à Mafell ou à un atelier de service après-vente agréé par MAFELL.
- Éviter de plier le câble. En particulier, ne pas enrouler le câble autour de la machine pendant le transport et le stockage de la machine.
- Ne pas utiliser cette machine en étant fatigué, sous l'influence de drogues, d'alcool ou de médicaments. Faites attention à ce que vous faites, restez vigilant et faites preuve de bon sens.
- Tenir les enfants et les passants à l'écart en utilisant la machine. Toute distraction peut faire perdre le contrôle de la machine.
-  Utiliser une protection oculaire, un masque anti-poussière et une protection auditive. Un équipement de sécurité approprié, utilisé dans de bonnes conditions, réduit les blessures.

#### Instructions pour entretien et maintenance :

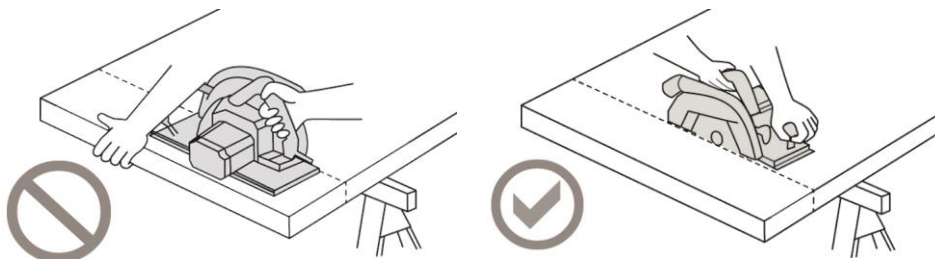
- Le nettoyage régulier de la machine et surtout des dispositifs de réglage et des guidages constitue un facteur de sécurité important.
- N'utiliser que des pièces détachées et des accessoires d'origine MAFELL. À défaut de quoi la garantie du constructeur n'est pas assurée et sa responsabilité est dérogée.
- **Élaborer un calendrier de maintenance périodique pour la machine. Lors du nettoyage de la machine, veillez à ne démonter aucune pièce de la machine, car des fils internes risquent d'être mal posés ou coincés lors du remontage, ou des ressorts de rappel du dispositif de protection mal installés.** Certains produits de nettoyage tels que l'essence, le tétrachlorure de carbone, l'ammoniac, etc. peuvent endommager des pièces en plastique.
- **Une partie de la poussière générée lors du sciage, ponçage, perçage et autres travaux de construction contient des produits chimiques connus pour être cancérigènes, provoquer des malformations congénitales ou d'autres atteintes à la reproduction. Voici quelques exemples de ces produits chimiques :**
  - Le plomb des peintures à base de plomb,
  - La silice cristalline provenant des briques, du ciment et d'autres produits de maçonnerie,
  - L'arsenic et le chrome provenant de bois traité chimiquement.

Le risque encouru à cause de ces dangers varie en fonction de la fréquence à laquelle ce type de travail est effectué. Pour réduire l'exposition à ces produits chimiques : travailler dans un endroit bien ventilé et utiliser des équipements de sécurité approuvés, tels que masques anti-poussières spécialement conçus pour filtrer les particules microscopiques.

### 3.4 Consignes de sécurité spécifiques

#### Sciage

- **DANGER: Ne mettre les mains ni dans la zone de sciage, ni sur la lame de scie. Retenir de l'autre main la poignée supplémentaire ou le carter du moteur.** Si les deux mains retiennent la scie, elles ne risquent pas d'être blessées par la lame de scie.

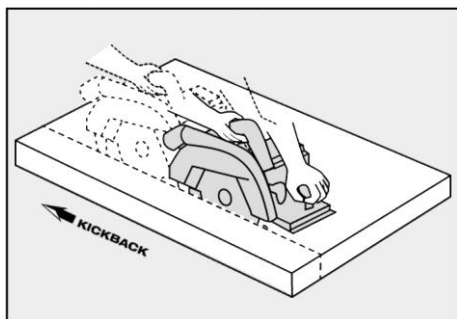


Ill. 24 : sciage de manière incorrecte et incorrecte

- **Ne pas mettre les mains sous la pièce à travailler.** Le capot protecteur n'offre aucune protection contre la lame de scie en-dessous de la pièce à travailler.
- **Adapter la profondeur de coupe à l'épaisseur de la pièce à travailler.** Sous la pièce, on devrait voir moins que la hauteur complète d'une dent.
- **Ne jamais retenir la pièce à travailler d'une main ou d'une jambe. Bloquer la pièce à travailler sur un appui stable.** Il est important de bien fixer la pièce à travailler. Ceci minimise le risque de contact corporel, le blocage de la lame de scie ou la perte de contrôle de la machine.
- **Tenir la machine au niveau des plans de prise isolés, en effectuant des travaux au cours desquels l'outil utilisé risque de rencontrer des câbles électriques dissimulés ou bien même son propre câble.** Tout contact avec un câble sous tension met également les pièces métalliques de la machine sous tension et provoque une décharge électrique.
- **Toujours utiliser une butée ou un guidage de bord droit pour la coupe longitudinale.** Ceci améliore la précision de la coupe et réduit la possibilité de coincement de la lame de scie.
- **Toujours utiliser des lames de scie ayant la dimension correcte et l'alésage de fixation approprié (par ex. en forme d'étoile ou rond).** Des lames de scie non adaptées aux pièces montées sur la scie tournent de façon irrégulière et sont à l'origine d'une perte de contrôle.
- **Ne jamais utiliser de rondelles ou de vis de lames de scies endommagées ou incorrectes.** Les rondelles et vis de lames de scie sont construites spécialement pour la scie utilisée, afin d'en assurer la performance et la sécurité de fonctionnement optimales.

### Rebond - causes et consignes de sécurité correspondantes

- Un rebond est une réaction brusque résultant du coincement ou d'un ajustage incorrect de la lame de scie, qui provoque un relèvement incontrôlé de la scie, à la suite duquel la scie ressort du matériau en direction de l'opérateur.
- Si la lame de scie se coince dans l'interstice de coupe qui se ferme, elle se bloque et la force motrice fait rebondir la scie en arrière, en direction de l'opérateur.
- Si la lame de scie est retournée ou mal orientée dans la fente de coupe, les dents du bord arrière de la lame de scie risquent de rester accrochées à la surface du bois, entraînant ainsi l'extraction de la lame de scie hors de l'interstice de coupe et le rebond de la scie en direction de l'opérateur.

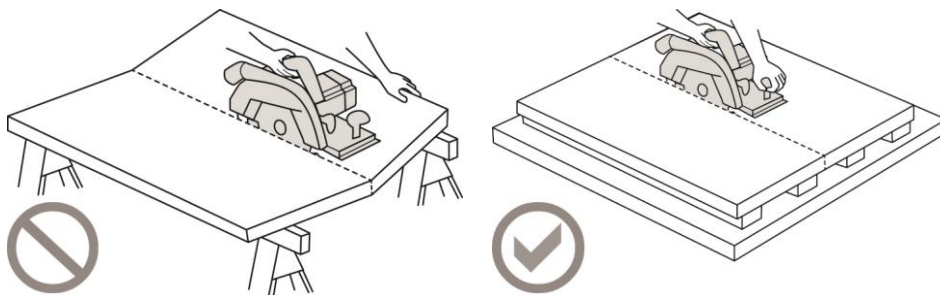


Ill. 25 : rebond de la machine

Un rebond est la conséquence d'une utilisation incorrecte ou erronée de la scie. Il peut être évité grâce aux mesures de précaution appropriées, ci-après décrites.

- **Retenir fermement la scie des deux mains et positionner les bras de manière à ce qu'ils puissent intercepter les forces dues au rebond. Toujours se tenir sur le côté de la lame de scie et ne jamais se placer sur la même ligne que la lame de scie.** En cas de rebond, la scie circulaire peut revenir en arrière mais, en prenant des mesures de précaution appropriées, l'opérateur peut cependant arriver à maîtriser les forces de rebond.
- **Si la lame de scie est coincée ou bien si le travail est interrompu, arrêter la scie et la retenir calmement dans le matériau, jusqu'à ce que la lame de scie s'immobilise. Ne jamais essayer de la dégager ou de la tirer en arrière hors de la pièce, tant que la lame de scie est en mouvement, sinon un rebond se produit.** Déterminer la cause du coincement de la lame de scie et y remédier.
- **Pour faire redémarrer une scie bloquée dans une pièce, centrer la lame de scie dans l'interstice de coupe et vérifier que les dents de la scie ne restent pas accrochées dans la pièce à travailler.** Si la lame de scie se coince, elle peut ressortir du matériau ou provoquer un rebond, si elle est remise en marche.

- **Étayer les grands panneaux pour éviter le risque de contrecoup dû au coincement d'une lame de scie.** Entraînés par leur poids propre, des grands panneaux risquent de fléchir. Les panneaux doivent être étayés des deux côtés et ce, aussi bien à proximité de l'interstice de sciage que du bord.



Ill. 26 : appui incorrect et correct

- **Ne pas utiliser de lames de scie émoussées ou endommagées.** Des lames de scie, dont les dents sont émoussées ou mal orientées, provoquent une friction accrue, due à un interstice de coupe trop étroit, le blocage de la lame de scie et un rebond.
- **Définir avant le sciage les réglages de la profondeur et de l'angle de coupe.** Si les réglages varient pendant le sciage, la lame de scie risque de rester coincée et de provoquer un rebond.
- **Faire preuve d'une vigilance à toute épreuve en sciant dans des murs présents ou dans d'autres zones non visibles.** En pénétrant dans des objets masqués, la lame de scie risque de se bloquer et de provoquer un rebond.

### Fonction du capot protecteur inférieur

- **Vérifier avant chaque utilisation si le capot protecteur inférieur ferme bien. Ne pas utiliser la scie, si le capot inférieur manque de mobilité et ne se ferme pas immédiatement. Ne jamais coincer ou attacher le capot protecteur inférieur en position ouverte.** Si la scie tombe par inadvertance, le capot protecteur inférieur risque de se voiler. Ouvrir le capot protecteur à l'aide du levier de rappel et s'assurer qu'il se déplace librement et qu'il n'entre en contact ni avec la lame de scie, ni avec d'autres pièces dans n'importe quel angle et quelle profondeur de coupe.
- **Vérifier le fonctionnement des ressorts du capot protecteur inférieur. Faire réparer la scie avant l'utilisation, si le capot protecteur inférieur et les ressorts ne fonctionnent pas correctement.** Des pièces endommagées, des dépôts collants ou des amas de copeaux ralentissent le travail du capot protecteur inférieur.
- **N'ouvrir le capot protecteur inférieur à la main que pour des coupes spéciales en plongée ou en équerre. Ouvrir le capot protecteur inférieur avec le levier de rappel et le relâcher dès que la lame de scie pénètre dans la pièce à travailler.** Pour tous les autres travaux de sciage, le capot protecteur devrait fonctionner automatiquement.
- **Ne pas poser la scie sur un établi ou sur le sol sans que la lame de scie ne soit protégée par le capot protecteur inférieur.** Une lame de scie non protégée en postfonctionnement déplace la scie dans le sens inverse de la coupe et scie tout ce qu'elle rencontre en chemin. Respecter par conséquent la durée de postfonctionnement de la lame de scie.





### Fonction du couteau diviseur

- **Utiliser la lame de scie adaptée au couteau diviseur.** Pour que le couteau diviseur agisse, la lame mère de la lame de scie doit être plus mince que le couteau diviseur et la largeur de dent supérieure à l'épaisseur du couteau diviseur.
- **Ajuster le couteau diviseur, comme décrit dans la présente notice d'emploi.** Des écarts, positions et alignements incorrects peuvent constituer la raison pour laquelle le couteau diviseur n'évite pas efficacement un rebond.
- **Toujours utiliser le couteau diviseur, sauf pour les « coupes en plongée »** Remonter le couteau diviseur à l'issue de la coupe en plongée. Le couteau diviseur perturbant les coupes en plongée, il peut générer un rebond.
- **Pour que le couteau diviseur puisse être efficace, il ne doit pas se trouver dans l'interstice de sciage.** Dans le cas de coupes courtes, le couteau diviseur est inefficace pour la prévention d'un rebond.
- **Ne pas exploiter la scie avec un couteau diviseur tordu.** Le moindre défaut risque déjà de ralentir la fermeture du capot de protection.

**CONSERVER LES PRÉSENTES INSTRUCTIONS !**

### 3.5 Dispositifs de sécurité

 <b>Danger</b>	
	<p><b>Risque de blessure dû à l'absence de dispositifs de sécurité</b></p> <p>Ces dispositifs étant nécessaires au fonctionnement sécurisé de la machine, il est interdit de les retirer ou de les ponter.</p> <ul style="list-style-type: none"> <li>➤ Avant le fonctionnement, vérifier si les dispositifs de sécurité fonctionnent et s'ils sont éventuellement endommagés.</li> <li>➤ Ne pas utiliser la machine avec des dispositifs de sécurité absents ou inefficaces.</li> </ul>

La machine est équipée des dispositifs de sécurité suivants :

Dispositif de sécurité	Type de contrôle
Capot protecteur supérieur fixe	Contrôle optique du bon état
Capot protecteur inférieur mobile	Contrôle du fonctionnement (ouverture intégrale et fermeture brusque, sans à-coup)
Socle large	Contrôle visuel quant aux endommagements et déformations
Poignées	Contrôle optique du bon état
Couteau diviseur	Contrôle visuel quant aux endommagements et déformations
Dispositif de commande et frein	Contrôle du fonctionnement (la durée de freinage maxi ne doit pas excéder 7 secondes)
Tubulure d'aspiration	Contrôle visuel quant à l'endommagement et l'obturation

Si les dispositifs de sécurité sont endommagés ou ne fonctionnent pas correctement, respecter les consignes du chapitre Élimination des défauts. Sinon, veuillez contacter votre concessionnaire ou directement le service après-vente MAFELL.

### 3.6 Risques résiduels

 <b>Avertissement</b>	
	<p><b>Risque de blessure en travaillant avec la machine</b></p> <p>Même dans le cadre de l'utilisation conforme et du respect des consignes de sécurité, certains risques résiduels émanent de l'utilisation et peuvent être à l'origine de problèmes de santé.</p> <ul style="list-style-type: none"> <li>➤ Respecter les consignes de sécurité et informations fournies dans les présentes instructions.</li> <li>➤ Toujours travailler avec une attention accrue et le maximum de vigilance en manipulant la machine.</li> </ul>

Font également partie des risques résiduels :



- Contact avec la lame de scie dans la zone de la fente de translation sous la plaque de base.
- Contact lors du sciage, de la partie de lame se trouvant sous la pièce à travailler.
- Contact de pièces en rotation sur le côté : lame de scie, flasque de serrage, vis de flasque.
- Contrecoup de la machine lors du coincement dans la pièce à travailler.
- Rupture et éjection de la lame de scie ou de morceaux de la lame de scie.
- Lésion de l'ouïe lors de travail long et continu sans protection auditive.
- Émission de sciures de bois nuisant à la santé lors d'un travail long et continu sans aspiration.
- Ouverture brusque du rail FLEXI en cas d'utilisation non conforme.

## 4 Équipement / Réglage


### 4.1 Raccordement au réseau

Avant la mise en marche, vérifier que la tension du réseau correspond bien à la tension indiquée sur la plaque signalétique de la machine.

### 4.2 Pose du câble de raccordement

 <b>Avertissement</b>	
	<p><b>Décharge électrique en cas de coupe du câble de raccordement</b></p> <p>Le câble de raccordement risque de porter préjudice aux fonctions de sécurité et de travail et d'entrer en contact avec l'outil de coupe. L'entaille du propre câble de raccordement met les pièces métalliques de la machine sous tension et provoque une décharge électrique. Risque de blessure pour l'utilisateur</p> <ul style="list-style-type: none"> <li>➤ Pendant le travail, faire attention à la pose du câble de raccordement.</li> <li>➤ Ne pas couper le câble de raccordement.</li> </ul>

### 4.3 Aspiration des copeaux

<b>⚠ Attention</b>	
	<p><b>Dangers pour la santé dus à la poussière de bois</b></p> <p>Les poussières se dégageant pendant le travail sont inhalées et peuvent nuire à la santé.</p> <ul style="list-style-type: none"> <li>➤ Les poussières nuisant à la santé doivent être aspirées à l'aide d'un aspirateur HEPA 13.</li> <li>➤ Porter un masque anti-poussière pendant le travail.</li> </ul>

Raccorder la machine à un dispositif d'aspiration externe approprié avant d'effectuer des travaux avec un fort dégagement de poussière. La vitesse de l'air doit être d'au moins 20 m/s [65 ft/sec].

Le diamètre extérieur de la tubulure d'aspiration est de 28 mm [1,1 in].

### 4.4 Choix de la lame

Pour obtenir une bonne qualité de coupe, utiliser un outil affûté et choisir une lame dans le tableau suivant, en fonction du matériau et de l'application :

#### Coupes longitudinale et transversale par rapport au sens des fibres du bois tendre ou dur :

- Lame de scie circulaire en carbure Ø 120 x 1,8 x 20 mm, 24 dents [Ø 4,72 x 0,07 x 0,79 in]

#### Coupe de bois tendre et dur, en particulier dans le sens longitudinal par rapport au sens des fibres :

- Lame de scie circulaire en carbure Ø 120 x 1,8 x 20 mm, 12 dents [Ø 4,72 x 0,07 x 0,79 in]

#### Coupe de bois tendre ou dur, en particulier dans le sens transversal par rapport au sens des fibres :

- Lame de scie circulaire en carbure Ø 120 x 1,8 x 20 mm, 40 dents [Ø 4,72 x 0,07 x 0,79 in]

#### Coupe de stratifié :

- Lame de scie circulaire en carbure Ø 120 x 1,8 x 20 mm, 40 dents [Ø 4,72 x 0,07 x 0,79 in]


#### Coupe de matériaux isolants en fibres de bois :

- Lame de scie circulaire en carbure Ø 120 x 1,8 x 20 mm, 40 dents [Ø 4,72 x 0,07 x 0,79 in]

#### Coupe de plastiques (polystyrène) :

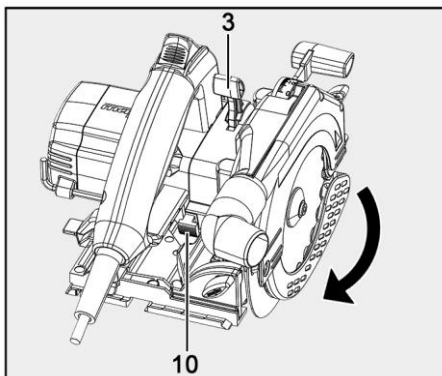
- Lame de scie circulaire en carbure Ø 120 x 1,8 x 20 mm, 24 dents [Ø 4,72 x 0,07 x 0,79 in]

### 4.5 Changement de lame

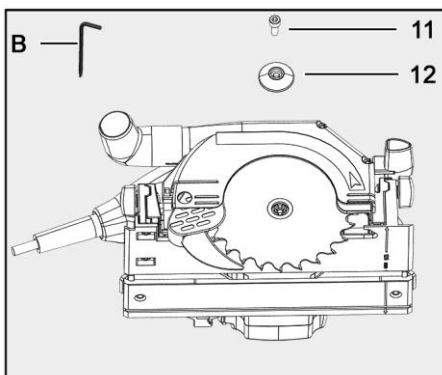
<b>⚠ Attention</b>	
	<p><b>Risque de blessure dû à la lame de scie acérée</b></p> <p>La lame de scie est acérée. Lors du remplacement de la lame de scie, il est possible de s'y blesser.</p> <ul style="list-style-type: none"> <li>➤ Porter des gants de protection pour remplacer la lame de scie.</li> <li>➤ Faire preuve de vigilance en remplaçant la lame de scie.</li> </ul>

**Pour remplacer la lame de scie, procéder de la manière suivante :**

1. Débrancher la fiche secteur de la machine.
2. Déposer le câble à portée de vue.
3. Poser la machine débranchée sur une surface plane.
4. Le capot protecteur mobile peut être ouvert en position maximale à l'aide du levier de préchargement 3 ou à la main.
  - Pour retirer la lame de scie, retenir le capot protecteur d'une main en position ouverte.
5. Actionner et maintenir l'axe de blocage 10 actionné.
6. Insérer la clé à six pans B dans la vis de bride 11 et visser cette dernière **dans le sens inverse des aiguilles d'une montre**, jusqu'à ce que l'arbre de scie s'encliquette dans le cran d'arrêt.
  - La lame de scie est maintenue en position et la vis de bride peut être dévissée.
7. Dévisser la vis de bride 11 **dans le sens inverse des aiguilles d'une montre**, à l'aide de la clé à six pans B.
  - L'axe de blocage peut être relâché.
8. Retirer la vis de bride 11 ainsi que la bride de serrage avant 12.
9. Retirer la lame de scie usée.
  - Les brides de serrage doivent être exemptes de particules adhérentes !
  - La lame de scie neuve peut être alors montée.

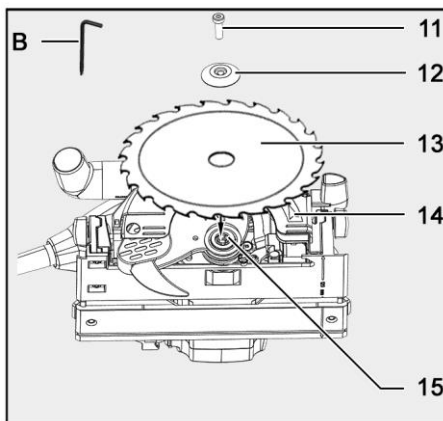


III. 27 : blocage de l'arbre de scie



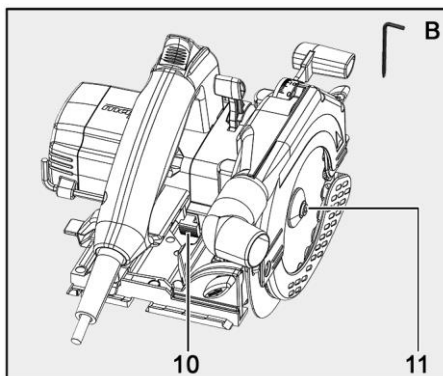
III. 28 : retrait de la lame de scie usée

10. Poser la lame de scie neuve 13 sur la bride arrière 15.
  - Lors de la mise en place de la lame de scie, faire attention au sens de rotation. Les dents de scie ou la flèche sur la lame de scie 13 doivent être dirigées vers la flèche 14 se trouvant sur la machine.
11. Insérer la bride de serrage 12 et la vis de bride 11.



III. 29 : remplacement de la lame de scie

12. Actionner et maintenir l'axe de blocage 10 actionné.
13. Visser la vis de bride 11 **dans le sens des aiguilles d'une montre**, à l'aide de la clé à six pans B.
- L'axe de blocage peut être relâché.
- La lame de scie est fixée.
14. Fermer ensuite le capot protecteur mobile.
  - ✓ La lame de scie est remplacée.



III. 30 : fixation de la lame de scie

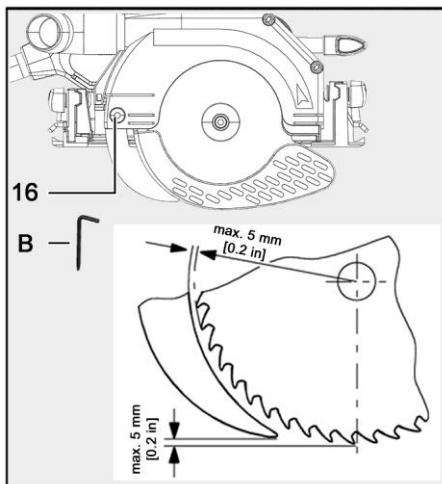
#### 4.6 Couteau diviseur

Le couteau diviseur empêche le coincement de la lame de scie lors de la coupe longitudinale. En outre, le couteau diviseur revient dans la machine lors de coupes en plongée. Ceci empêche des rebonds lors du sciage.

L'écart correct par rapport à la lame de scie est représenté dans l'illustration.

**Pour régler l'écart du couteau diviseur, procéder de la manière suivante :**

1. Débrancher la fiche secteur de la machine.
2. Pour le réglage, dévisser la vis **16** **dans le sens inverse des aiguilles d'une montre**, à l'aide de la clé à six pans B fournie.
3. Régler le couteau diviseur en le décalant dans sa fente oblongue.
  - Respecter l'écart maximal par rapport à la lame de scie (voir ill. 31).
4. Revisser ensuite la vis **16** **dans le sens des aiguilles d'une montre**, à l'aide de la clé à six pans B.
  - ✓ L'écart du couteau diviseur est réglé.



Ill. 31 : Écart entre le couteau diviseur et la lame de scie

## 5 Fonctionnement

### 5.1 Mise en service

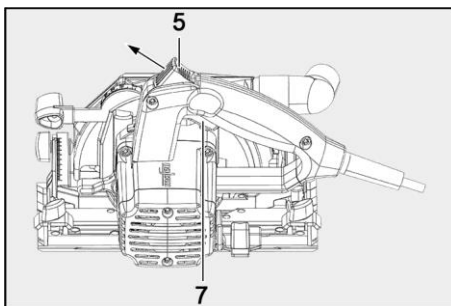
#### Avertissement

La présente notice d'emploi doit être portée à la connaissance du personnel chargé de travailler avec la machine, une attention particulière devant être accordée au chapitre « consignes de sécurité ».

### 5.2 Mise en marche

**Pour mettre la machine en marche, procéder de la manière suivante :**

1. Presser le blocage d'enclenchement 4 vers l'avant, pour le déverrouillage.
2. Actionner le levier de commande 6 et le maintenir appuyé, tout en pressant le blocage d'enclenchement.
3. Relâcher le blocage d'enclenchement 4.
  - ✓ La machine est enclenchée



Ill. 32 : mise en marche de la machine

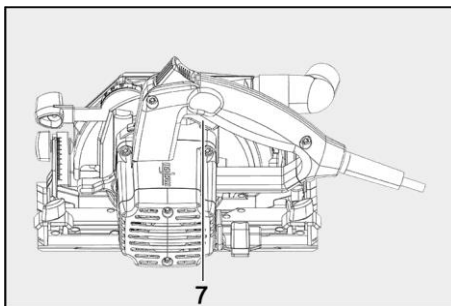


Vu qu'il s'agit d'un interrupteur sans blocage, la machine continue de fonctionner tant que le levier de commande est pressé.

### 5.3 Arrêt

**Pour arrêter la machine, procéder de la manière suivante :**

1. Relâcher le levier de commande 6.
  - Le frein automatique monté permet de limiter à 5 s environ la durée de décélération de la lame de scie.
  - Le blocage d'enclenchement redevient actif et protège la scie circulaire portable contre tout enclenchement involontaire.
  - ✓ La machine est arrêtée.



Ill. 33 : arrêter la machine



Dès que le freinage dure plus de 7 secondes, faire vérifier la machine et monter une nouvelle garniture de frein.

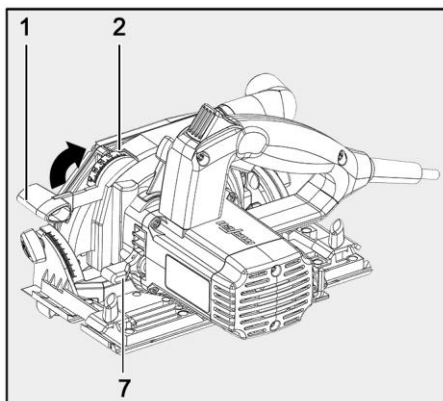


## 5.4 Réglage de la profondeur de coupe

La profondeur de coupe peut être réglée progressivement dans une plage de 0 à 42 mm [0 à 1,65 in].

**Pour régler la profondeur de coupe, procéder de la manière suivante :**

1. Desserrer le levier de serrage 7.
2. Régler la profondeur de coupe à l'aide du levier de plongée 1.
  - La profondeur de coupe peut être relevée sur l'échelle graduée 2 se trouvant sur le couvercle. Le plan sur fond rouge du levier de plongée 1 sert d'indicateur.
3. Resserrer le levier de serrage 7 à fond.
  - ✓ La profondeur de coupe est réglée.



Ill. 34 : réglage de la profondeur de coupe



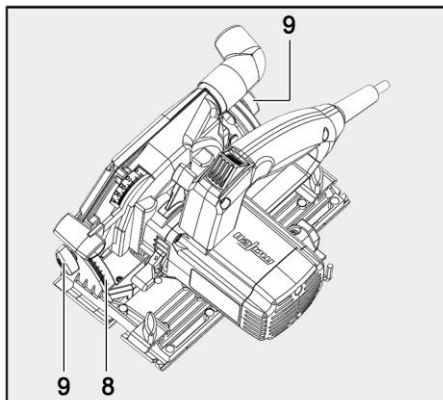
Toujours régler la profondeur de coupe de séparation de manière à ce qu'elle ait jusqu'à 2 à 5 mm [0.08 à 0.2 in] de plus environ que l'épaisseur du matériau à couper.

## 5.5 Réglage pour coupes biaisées

Pour les coupes biaisées, le groupe de sciage peut être réglé sur un angle quelconque de 0° à 45°.

**Pour régler le groupe de sciage pour des coupes biaisées, procéder de la manière suivante :**

1. Pour la coupe biaisée, poser la machine et l'étayer de manière à ce que le groupe de sciage puisse être pivoté.
2. Desserrer les deux vis à ailettes 9.
3. Régler l'angle en fonction de la graduation 8 sur le segment pivotant.
4. Serrer ensuite les deux vis à ailettes 9 à fond.
  - ✓ Le groupe de sciage est réglé sur l'angle voulu pour la coupe biaisée.



Ill. 35 : réglage du groupe de sciage pour coupes biaisées

## 5.6 Coupes en plongée

### **! Avertissement**



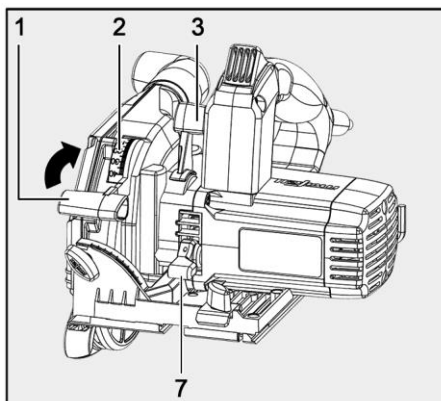
#### **Risque de rebond lors de la coupe en plongée !**

Des coincements pendant des coupes en plongée peuvent provoquer un rebond de la machine. Ceci peut être à l'origine de graves blessures.

- Avant la plongée, aligner le bord arrière de la plaque de base de la machine par rapport à une butée fixée sur la pièce à usiner fixée.
- Bien retenir la machine au niveau de la poignée, lors de la plongée, et la faire progresser doucement vers l'avant !

#### **Pour effectuer des coupes en plongée, procéder de la manière suivante :**

1. Desserrer le levier de serrage 7.
2. Régler la machine dans la position tout à fait en haut, à l'aide du levier de plongée 1.
3. Ouvrir complètement le capot protecteur mobile à l'aide du levier de préchargement 3, de manière à ce que la machine puisse être posée sur la pièce à usiner.
  - La lame de scie et le couteau diviseur se trouvent alors librement au-dessus du matériau.
4. Aligner la machine sur la pièce à travailler pour la coupe en plongée.
5. Mettre la machine en marche et presser le levier de plongée. 1 vers le bas.
  - Ceci permet à la lame de scie de plonger à la verticale dans la pièce à usiner. La profondeur de plongée est indiquée sur la graduation 2. Le couteau diviseur s'écarte vers le haut lors de la plongée. En progressant, la machine libère l'interstice en aval de la lame de scie, de sorte que le couteau diviseur reprend sa position normale.
6. Arrêter l'avance à la fin de la coupe en plongée.
7. Arrêter la machine.
8. Tirer la lame de scie hors de la fente de scie avec le levier de plongée 1.
9. Resserrer le levier de serrage 7 à fond.
  - ✓ La coupe en plongée est faite.



Ill. 36 : coupe en plongée

### 5.7 Coupes à joint creux

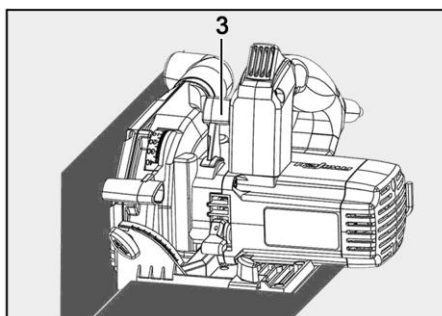


Respecter la largeur minimale du joint creux lors du sciage :

Profondeur de coupe	Largeur du joint creux sans guide parallèle	Largeur du joint creux avec guide parallèle
0 - 32 mm [0 - 1,26 in]	13 mm [0,51 in]	14 mm [0,55 in]
32 - 42 mm [1,26 - 1,65 in]	13 mm [0,51 in]	18 mm [0,71 in]

**Pour scier un joint creux, procéder de la manière suivante :**

1. Régler la profondeur de coupe sur la machine.
  - Respecter le tableau ci-dessus pour la largeur minimale de joint creux.
2. Ouvrir le capot protecteur mobile à l'aide du levier de préchargement 3 et placer la machine sur la pièce à adapter.
3. Mettre la machine en marche.
4. Pousser la machine de manière régulière dans le sens du travail.
  - Utiliser un aspirateur de la classe HEPA.
5. Arrêter la machine après avoir usiné la pièce.
  - ✓ Le joint creux est scié.



III. 37 : sciage de joint creux

## 5.8 Sciage avec le rail Flexi

### ⚠ Attention



#### Risque de blessure dû au dé clic du rail Flexi

Le rail Flexi étant précontraint, il peut se déclicketer de manière incontrôlée.

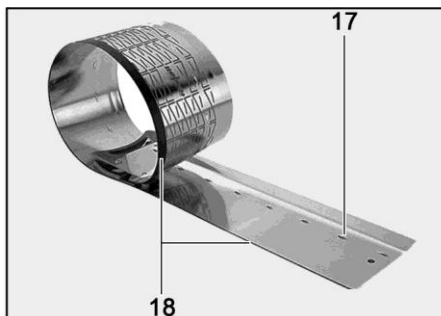
- Bien le retenir des deux mains lors de l'ouverture et de la fermeture.

### Avant la première utilisation :

Avant la première utilisation, le pare-éclats du rail Flexi doit être coupé à la longueur voulue sur le rail.

#### Pour couper le pare-éclats du rail Flexi à la longueur voulue, procéder de la manière suivante :

1. Poser le rail Flexi sur une base plane.
2. Régler sur la machine la profondeur de coupe sur 3 mm et la graduation angulaire sur 0°.
3. Placer la machine, au niveau de la poignée rouge du rail Flexi, de sorte que les éléments de guidage 17 du rail s'engagent dans la rainure du socle.
4. Mettre la machine en marche.
5. Couper le pare-éclats 18 de manière régulière sur toute la longueur du rail Flexi.
6. Arrêter la machine.
  - ✓ Le pare-éclats est coupé à longueur.



III. 38 : mise à longueur du pare-éclats

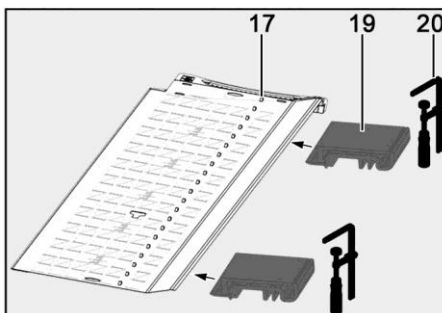
Le bord de coupe résultant sur le pare-éclats sert de bord de tracé pour les coupes droites et les coupes biaisées.

### Utilisation du rail Flexi :

Le rail Flexi permet des coupes droites et biaisées d'une longueur jusqu'à 1,4 m (55,12 in).

#### Pour travailler avec le rail Flexi, procéder de la manière suivante :

1. Poser le rail Flexi sur la pièce à usiner.
2. Aligner le rail FLEXI sur la pièce à usiner.
3. Mettre les deux griffes de serrage 10 en place sur le rail Flexi.
4. Bien serrer les deux serre-joints 20 pour la fixation sur les deux griffes de serrage 19 et la pièce à usiner.
  - Le rail Flexi est fixé sur la pièce à usiner.
5. Régler la profondeur d'usinage et l'angle d'inclinaison sur la machine.
6. Placer la machine, au niveau de la poignée rouge du rail Flexi, de sorte que les éléments de guidage 17 du rail s'engagent dans la rainure du socle.
7. Mettre la machine en marche.
8. Pousser la machine de manière régulière dans le sens du travail.
9. Arrêter la machine après avoir usiné la pièce.
10. Retirer la machine du rail Flexi.
  - ✓ L'usinage avec le rail Flexi est terminé.

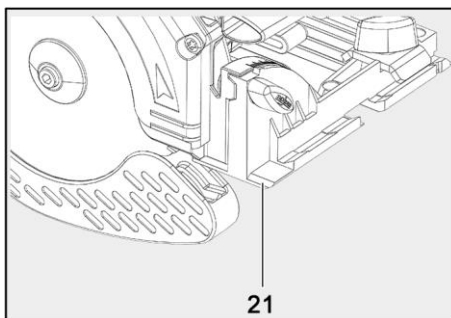


Ill. 39 : utilisation du rail Flexi

### 5.9 Sciage d'après tracé

Le socle est pourvu d'un bord de traçage 21, aussi bien pour la coupe verticale que pour les coupes d'angle. Ce bord de traçage 21 correspond à la partie intérieure de la lame de scie (côté faisant face au moteur).

Pour les coupes biaisées, on peut voir le tracé par l'ouverture pratiquée sur la partie intérieure du capot protecteur supérieur (à gauche dans le sens de la coupe).



Ill. 40 : bord de traçage

**Pour scier d'après un tracé, procéder de la manière suivante :**

1. Retenir la machine au niveau des poignées et poser la partie avant de la plaque de base sur la pièce à travailler.
2. Positionner le bord de traçage 21 sur le tracé de la pièce à travailler.
3. Mettre la machine en marche.
4. Veiller à ce que le bord de traçage 21 et le bord avant de la lame de scie soient guidés le long du tracé
5. Pousser la machine de manière régulière dans le sens de la coupe.
6. Arrêter la machine à la fin de la coupe.
  - ✓ Le sciage d'après tracé est terminé.

**5.10 Sciage avec le guide parallèle**

Le guide parallèle C sert au sciage parallèle par rapport à un chant déjà présent. Le guide peut être posé aussi bien à droite (côté moteur) qu'à gauche (côté outil) sur la machine. L'écart réglable possible est de 175 à 250 mm [6,89 à 9,84 in] sur le côté droit et de 12 à 65 mm [0,47 à 2,56 in] sur le côté gauche. Dans la plage de 175 à 260 mm [6,89 - 7,87 in], la machine doit être réglée de 10 mm [0,4 in] environ vers le haut, pour que la butée puisse être poussée sous le carter du moteur.

Pour vérifier la largeur réglée, utiliser un moyen de mesure supplémentaire (tel qu'un mètre pliant) pour régler le guide parallèle sur la cote correcte (bord du guide parallèle par rapport à la ligne de coupe).

**⚠ Avertissement**



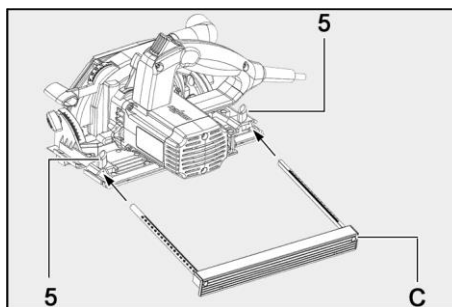
**Risque de blessure dû au non-fonctionnement du capot protecteur**

Si le guide parallèle est utilisé en-dessous de la cote minimum, il risque d'entraver le fonctionnement du capot protecteur inférieur. Il est possible que la lame de scie soit librement accessible.

- N'utiliser le guide parallèle que dans les plages autorisées pour la coupe. Respecter pour cela les graduations sur les barres de guidage.

**Pour mettre le guide parallèle en place, procéder de la manière suivante :**

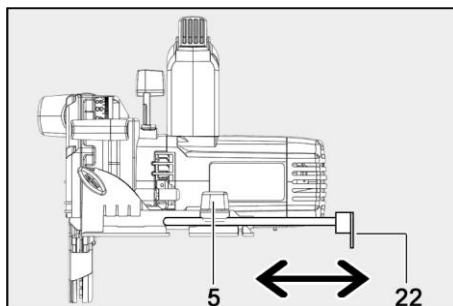
1. Dévisser les vis à ailette 5 des deux côtés.
2. Placer le guide parallèle C dans le guidage prévu à cet effet.
  - Ce dernier peut être logé du côté gauche ou droit de la machine.
3. Resserrer les vis à ailettes 5 des deux côtés.
  - ✓ La butée parallèle est mise en place.



Ill. 41 : mise en place du guide parallèle

Pour régler la largeur de coupe, procéder de la manière suivante :

1. Dévisser les vis à ailette 5 des deux côtés.
2. Régler le guide parallèle.
3. Resserrer les vis à ailettes 5 des deux côtés.
  - ✓ La largeur de coupe est réglée



Ill. 42 : réglage de la largeur de coupe à l'aide du guide parallèle



En outre, si on le retourne simplement (la languette de guidage 22 étant dirigée vers le haut), le guide parallèle peut également servir de double appui pour améliorer le guidage de la scie circulaire portable.

La machine avec le guide parallèle peut être également guidée le long d'une règle de guidage ou d'une barrette en bois fixée sur la pièce à usiner. Pour cela, le guide parallèle doit être tourné pour que la languette de guidage 22 soit dirigée vers le haut.

### 5.11 Travail avec le dispositif de guidage



La description du dispositif de guidage se trouve dans le mode d'emploi « Dispositif de guidage L/M/ML/S » joint.

## 6 Entretien et maintenance

Les machines MAFELL sont conçues pour fonctionner avec très peu d'entretien.

Les roulements à billes utilisés sont graissés à vie. Après une longue période d'utilisation, nous recommandons de faire réviser la machine par un service après-vente MAFELL agréé.

### 6.1 Stockage

Nettoyer soigneusement la machine si elle ne doit pas servir pendant une période prolongée. Vaporiser les parties nues du métal avec un agent anticorrosion.

## 7 Élimination des défauts

### Avertissement



#### Risque de blessures dues au démarrage brusque de la machine

La machine peut démarrer brusquement, à la suite d'une inadvertance pendant le travail ou de l'élimination de défauts. De graves blessures dues à la lame de scie en rotation peuvent en être la conséquence.

- La détermination des causes de dérangements présents et leur élimination exigent toujours une attention et précaution particulières !
- Débrancher la fiche du secteur avant d'éliminer des défauts !

Les dérangements les plus fréquents et leurs causes sont décrits ci-après. Pour tout autre dérangement, veuillez contacter votre concessionnaire ou directement le service après-vente MAFELL.

Dérangement	Cause	Élimination
Impossible de mettre la machine en marche	Tension secteur absente ou trop faible	Faire vérifier l'alimentation électrique par un électricien
	Fusible secteur défectueux	Faire remplacer le fusible par un électricien
	Balais de charbon usés	Amener la machine à un service après-vente MAFELL
La machine s'arrête pendant la coupe	Panne de secteur	Faire vérifier les préfusibles du réseau par un électricien
	Machine surchargée	Réduire la vitesse d'avance
	Balais de charbon usés	Amener la machine à un service après-vente MAFELL
La lame se coince en avançant la machine	Avance trop rapide	Réduire la vitesse d'avance
	Lame émoussée	Relâcher immédiatement l'interrupteur. Dégager la machine de la pièce à travailler et changer la lame de scie
	Tensions dans la pièce à travailler	Vigilance accrue lors du sciage, augmentation du risque de rebond.
	Mauvais guidage de la machine (p. ex. à main libre)	Utiliser le guide parallèle
	Surface irrégulière de la pièce à travailler	Niveler la surface
La lame de scie vibre dans la pièce	Lame de scie mal ajustée	Parfaire le serrage de la lame de scie
	Pièce non fixée	Fixer la pièce avec des pinces
La lame de scie reste immobile - le moteur continue de tourner	Lame de scie mal fixée	Parfaire le serrage de la lame de scie
Traces de brûlure au niveau des points de coupe	Lame de scie émoussée ou inappropriée au travail	Changer la lame de scie
Sortie de copeaux obstruée	Bois trop humide	Nettoyer la sortie de copeaux
	Travail trop long sans aspiration	Raccorder la machine à une installation d'aspiration externe, p. ex. aspirateur mobile pour la sciure
Capot protecteur inférieur mobile ne fermant pas ou ne fermant que lentement	Présence de copeaux et bouts de bois dans le capot protecteur inférieur mobile	Enlever les copeaux et bouts de bois



## 8 Accessoires supplémentaires

- |  |             |
|--|-------------|
| - lame de scie en carbure Ø 120 x 1,8 x 20 mm, 12 dents [Ø 4,72 x 0,07 x 0,79 in] (coupe longitudinale)                    | Réf. 092560 |
| - lame de scie en carbure Ø 120 x 1,8 x 20 mm, 24 dents [Ø 4,72 x 0,07 x 0,79 in] (coupes longitudinales et transversales) | Réf. 092558 |
| - lame de scie en carbure Ø 120 x 1,8 x 20 mm, 40 dents [Ø 4,72 x 0,07 x 0,79 in] (coupe transversale)                     | Réf. 092559 |
| - lame de scie en carbure Ø 120 x 1,8 x 20 mm, 40 dents [Ø 4,72 x 0,07 x 0,79 in] (stratifié)                              | Réf. 092578 |
| - Rail Flexi FX 140  | Réf. 204372 |
| - Accessoire pour rail Flexi :   |             |
| - Serre-joints   | Réf. 093281 |
| - Griffe de serrage  | Réf. 203773 |
| - Aspirateur S35 HEPA  | Réf. 91C423 |
| - dispositif de guidage S  | Réf. 208169 |

## 9 Schéma éclaté et liste de pièces de rechange




Les informations correspondantes, relatives aux pièces de rechange, se trouvent sur notre page web : [www.mafell.com](http://www.mafell.com)

**Índice de contenidos**

1	Leyenda.....	59
1.1	Denominación del equipo.....	61
2	Datos del producto.....	61
2.1	Datos técnicos.....	62
2.2	Contenido.....	62
2.3	Mandos.....	63
3	Seguridad general.....	64
3.1	Uso correcto.....	64
3.2	Usos incorrectos previsibles.....	64
3.3	Instrucciones de seguridad.....	65
3.4	Reglas de seguridad específicas.....	66
3.5	Dispositivos de seguridad.....	70
3.6	Riesgos restantes.....	71
4	Equipamiento / Ajustes.....	71
4.1	Alimentación de red.....	71
4.2	Montaje de la toma de conexión.....	71
4.3	Sistema de aspiración de virutas.....	72
4.4	Selección de la hoja de sierra.....	72
4.5	Cambio de la hoja de sierra.....	72
4.6	Cuña de partir.....	75
5	Funcionamiento.....	76
5.1	Puesta en funcionamiento.....	76
5.2	Conectar.....	76
5.3	Desconexión.....	76
5.4	Ajuste de la profundidad de corte.....	77
5.5	Ajustes para cortes inclinados.....	77
5.6	Cortes de incisión.....	78
5.7	Cortes de juntas corridas.....	79
5.8	Serrar con carril flexible.....	80
5.9	Serrar por la línea de trazado.....	81
5.10	Cortar con tope paralelo.....	82
5.11	Trabajar con un dispositivo guía.....	83
6	Mantenimiento y reparación.....	83
6.1	Almacenaje.....	83
7	Eliminación de fallos técnicos.....	83
8	Accesorios especiales.....	85
9	Dibujo de explosión y lista de piezas de recambio.....	85






## 1 Leyenda

Este manual de instrucciones tiene los siguientes símbolos de información generales, para guiarle por el manual y le aportarán información importante.

Símbolo	Significado
	<b>Información importante</b> Este símbolo identifica consejos para el personal operario u otra información oportuna.
	Identifica un resultado intermedio en una secuencia de acciones.
	Identifica el resultado final en una secuencia de acciones.


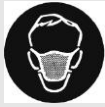


Tab. 9: Símbolos generales y su significado

Los símbolos de advertencia advierten de zonas de peligro, riesgos y obstáculos.

Símbolo	Significado
	<b>Indicación de advertencia</b> Este símbolo identifica las instrucciones de seguridad. De no respetar estas instrucciones, se pondrá en peligro la integridad de las personas.
	Advierte de peligros por descarga eléctrica.
	Advierte de peligros por polvo.
	Advierte de cortes.
	Advierte de cortes o amputación de extremidades.

Tab. 10: Símbolos de advertencia y su significado




Los símbolos de prohibición sirven para evitar accidentes.

Símbolo	Significado
	Usar lentes protectores.
	Usar mascarilla protectora del polvo.
	Usar protección de oídos.
	Usar guantes protectores.

Tab. 11: Símbolos de prohibición y su significado

Al operar la máquina se realizar siempre acciones que pueden ser peligrosas. Estas acciones peligrosas están indicadas por advertencias que se deben respetar.






#### Clasificación de los niveles de peligro (palabras de advertencia) en advertencias

Indicación de advertencia	Significado y consecuencias por incumplimiento
 <b>Peligro</b>	<b>Peligro</b> inmediato que provoca <b>lesiones graves o la muerte</b> .
 <b>Advertencia</b>	<b>Situación</b> potencialmente peligrosa, que podría <b>provocar lesiones graves o la muerte</b> .
 <b>Precaución</b>	<b>Situación</b> potencialmente peligrosa, que podría provocar <b>lesiones leves</b> .

Tab. 12: Estructura de advertencias

### 1.1 Denominación del equipo

Los símbolos que se explican a continuación pueden aparecer en la placa indicativa o el producto.

Símbolo	Explicación	Símbolo	Explicación
110 V~	Voltios	1, 2, 3, ... I, II, III, ...	Ajuste de la velocidad de marcha
a	Amperes	min <sup>-1</sup>	Revoluciones por minuto
Hz	Hertz	∅	Diámetro de la hoja de sierra
V	Vatios	~	Corriente alterna
kg	Kilogramo (peso)		Clase de protección II
min	Minutos (tiempo)		Leer el manual de instrucciones
s	Segundos (tiempo)		Lentes protectores
n <sub>0</sub>	Velocidad nominal en marcha neutra		Protección de oídos
n	Velocidad nominal con carga normal		Mascarilla protectora del polvo

## 2 Datos del producto

sobre máquinas con número de artículo 916733

El número de artículo y de máquina están indicados en la placa de indicaciones de la máquina.



En la página web de MAFELL puede consultar las listas de piezas de repuesto, dibujos de explosión y otra información sobre el producto. Solo tiene que indicar el número de artículo y máquina (véase también el capítulo 9 Dibujo de explosión y lista de piezas de recambio).

## 2.1 Datos técnicos

Motor universal	120 V~, 60 Hz
Potencia de entrada (carga normal)	1000 W
Corriente a carga normal	9,1 A
Velocidad de la hoja de sierra marcha neutra	8800 rrpm
con carga normal	5690 rrpm
Profundidad de corte 0°/30°/45°	42/36/29 mm [1.65/1.42/1.14 in]
Base inclinable	0° - 45°
Diámetro de la hoja de sierra máx/mín	120/112 mm [4.72/4.41 in]
Grosor de cuerpo base de la hoja de sierra	1.2 mm [0.05 in]
Ancho de corte herramienta	1.8 mm [0.07 in]
Taladro de alojamiento de la hoja de sierra	20 mm [0.8 in]
Diámetro tubo de aspiración	28 mm [1.10 in]
Peso sin cable de alimentación de red, sin tope paralelo	2,3 kg [5.07 lbs]
Dimensiones incluido el dispositivo guía (ancho x largo x alto)	200 x 550 x 200 mm [7.87 x 21.65 x 7.87 in]

## 2.2 Contenido

	<p><b>Componentes</b></p> <p>a Sierra circular portátil KSS300</p> <p>B Llave hexagonal en el soporte en la máquina</p> <p>C Tope paralelo</p> <p>E Maleta de transporte</p> <p>E Carril flexible</p> <p>F Dispositivo guía S</p> <p>También incluye: 1 tubo de aspiración</p>
	<p>Fig. 43: Contenido</p>

## 2.3 Mandos

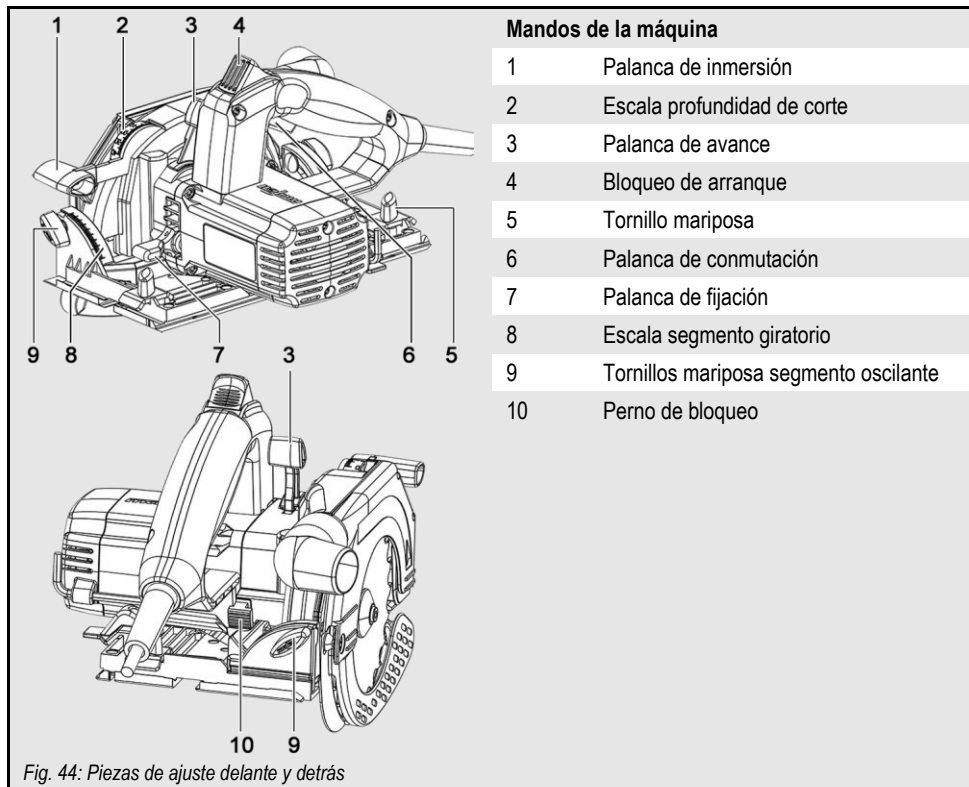


Fig. 44: Piezas de ajuste delante y detrás

### 3 Seguridad general

#### Advertencia

**Lea todas las indicaciones de seguridad e instrucciones.** Si no se cumplen las indicaciones de seguridad e instrucciones, se pueden provocar descargas eléctricas, incendio y/o lesiones graves. **Guarde todas las indicaciones de seguridad e instrucciones para el futuro.**

#### 3.1 Uso correcto

La máquina únicamente se puede utilizar para cortar longitudinal y transversalmente madera maciza. Asimismo, se pueden trabajar materiales compuestos como madera laminada, tableros de madera estratificada y tipo Mdf.

También se puede trabajar con materiales aislantes de fibra de madera.

Usar solo las hojas de sierra autorizadas por el fabricante.

#### 3.2 Usos incorrectos previsibles

La máquina no está diseñada para otro uso que no sea el indicado más arriba.

No se podrá presentar reclamación alguna ante el fabricante por los daños que se desprendan del uso inapropiado.

El uso apropiado de la máquina comprende respetar todas las instrucciones de servicio, mantenimiento y reparación del fabricante.

#### **Algunos usos incorrectos previsibles:**

- Manipulación, extraer o evitar los dispositivos de seguridad de todo tipo.
- Operar la máquina sin dispositivos de seguridad.
- Incumplimiento de indicaciones de seguridad y advertencia del manual de instrucciones.
- Retirar indicaciones de de seguridad y advertencia de la máquina.
- Manejo no autorizado de la máquina.
- Incumplimiento de indicaciones de mantenimiento y cuidados estipulados.

#### **No se deben utiliza hojas de sierra:**

- agrietadas o deformadas,
- acabadas en acero rápido altamente aleado,
- despuntadas por la carga excesiva del motor,
- con cuerpo de espesor superior o ancho de corte (triscado) inferior al espesor de la cuña de partir,
- que no sean aptas para la velocidad de hojas de sierra en vacío.
- Muelas abrasivas.




### 3.3 Instrucciones de seguridad

#### LEA TODAS LAS INSTRUCCIONES!

El incumplimiento de las instrucciones abajo indicadas puede provocar descargas eléctricas, fuego y/o lesiones graves.

#### Área de trabajo

- No podrán manejar esta máquina personas menores de edad,
- Para el uso de la máquina al aire libre, se recomienda introducir un interruptor de corriente de defecto.
- Reemplace inmediatamente cualquier cable o conector defectuoso. Solo puede cambiar las piezas Mafell o un taller de servicio técnico autorizado por MAFELL para evitar riesgos de seguridad.
- No doblar nunca el cable. No envolver nunca el cable alrededor de la máquina, particularmente durante el transporte o almacenamiento de la misma.
- No utilice la máquina cuando se encuentre cansado, bajo la influencia de las drogas, alcohol o medicamentos. Esté atento a lo que hace, alerta, y haga uso de sentido común.
- Mantenga alejados a los niños y transeúntes alejados mientras maneja la máquina. Las distracciones pueden provocar la pérdida de control de la máquina.
-  Utilice lentes protectores, mascarillas protectora del polvo y protección de oídos. El equipo de seguridad apropiado puede reducir lesiones si se utiliza correctamente.

#### Indicaciones sobre el mantenimiento y reparación:

- Por razones de seguridad, es imprescindible limpiar con regularidad la máquina, particularmente los dispositivos de ajuste y de guía.
- Solo se pueden utilizar piezas de repuesto y accesorios originales de MAFELL. De lo contrario no se aceptarán reclamaciones de garantía ni el fabricante asumirá ninguna responsabilidad.
- **Cree un plan de mantenimiento periódico para su máquina. Cuando limpie la máquina, no desmonte ninguna pieza, porque es posible que coloque mal el cableado interno, se enganche o monte erróneamente los muelles de retorno del dispositivo protector.** Existen algunos detergentes, como gasolina, tetracloruro de carbono, amoníaco etc. pueden dañar las piezas de plástico.
- **Una parte del polvo que se genera al serrar, lijar, taladrar y otros trabajos, contiene productos químicos, que se conoce que pueden causar cáncer, defectos de nacimiento u otros daños reproductivos. Algunos ejemplos de esos productos químicos:**
  - Plomo de pinturas con base de plomo,
  - Ácido salicílico cristalino de ladrillos y cemento y otros productos para la construcción de muros.
  - Arsénico y cromo de maderas tratadas.

El riesgo de peligro depende de la frecuencia con la que realice este trabajo. Para reducir el riesgo por estos productos químicos: trabaje en una zona bien aireada y use protección de seguridad, como mascarillas contra el polvo desarrolladas especialmente para filtrar las micropartículas.

### 3.4 Reglas de seguridad específicas

#### Procedimiento de sierra

- **Peligro:** Mantenga las manos fuera de la zona de corte, evitando cualquier contacto con la hoja de sierra. Sujete con la segunda mano la empuñadura adicional o la carcasa del motor. Si las dos manos sujetan la sierra, no se pueden lesionar con la hoja de sierra.

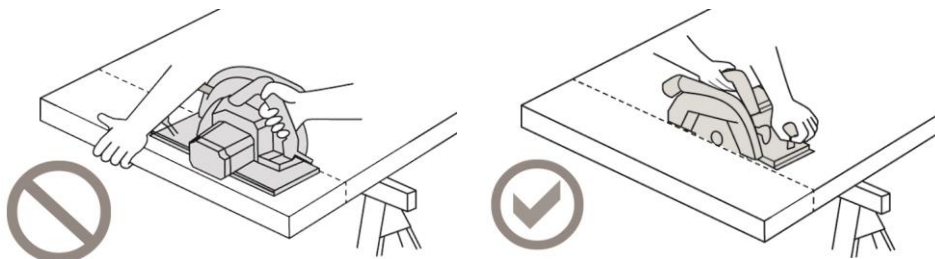


Fig. 45: Serrar erróneamente y serrar correctamente

- **No coloque nunca las manos debajo de la pieza de trabajo.** La funda protectora no le puede proteger de la hoja de sierra debajo de la pieza de sierra.
- **Ajuste la profundidad de corte según el espesor de la pieza de trabajo.** Debe quedar visible menos de una altura de dientes completa debajo de la pieza de trabajo.
- **No sujete nunca la pieza de trabajo con la mano ni la coloque sobre la pierna.** Fije la pieza de trabajo sobre un soporte estable. Es importante fijar bien la pieza de trabajo. Eso minimiza el riesgo de contacto con el cuerpo, que se enganche la hoja de sierra o se pierda el control sobre la máquina.
- **Sujete la máquina por las superficies de agarre aisladas cuando realice trabajos en los que pueda encontrar conductos de corriente escondidos o el propio conducto de conexión al utilizar la herramienta.** El contacto con un conducto transmisor de corriente pone en tensión las piezas de metal de la herramienta eléctrica y provoca una descarga eléctrica.
- **Para realizar cortes longitudinales, utilice siempre un tope o guía de borde recto adecuado.** Esto mejora la exactitud de corte y reduce las posibilidades de que la hoja de corte quede enganchada.
- **Utilizar siempre hojas de sierra del tamaño apropiado con broca apropiada (p. ej. en forma de gato o redondeado).** Las hojas de sierra que no se ajusten a las piezas de montaje de la sierra, funcionan de forma irregular y provocan la pérdida de control.
- **No utilice nunca arandelas o tornillos dañados o inapropiados para fijar el disco de sierra.** Las arandelas y tornillos de la hoja de sierra han sido construidas especialmente para su sierra, para un rendimiento y seguridad en el funcionamiento óptimos.

### Rebote - Causas y las indicaciones de seguridad correspondientes

- Un rebote es una reacción repentina debido a una hoja de sierra enganchada, atascada o mal colocada que hace que la hoja se levante de forma incontrolada y se salga de la pieza de trabajo en dirección del operario.
- Si la hoja de sierra se engancha o atasca en la ranura de sierra, se bloquea y la potencia del motor golpea la sierra en dirección al operario.
- Si la hoja de sierra se gira en el corte de sierra o se coloca mal, se pueden enganchar los dientes del borde trasero de la hoja en la superficie de madera. Al hacer esto, la hoja de sierra se sale de la ranura y la sierra salta hacia atrás en dirección al operario.

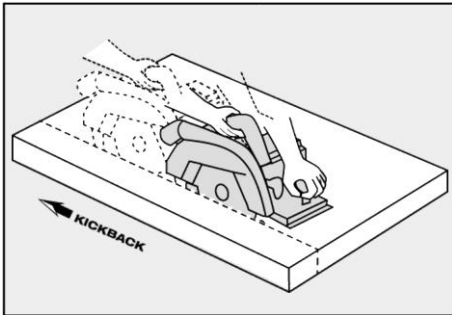


Fig. 46: Rebote de la máquina

El rebote es la consecuencia de un uso erróneo o fallido de la sierra. Se puede evitar si se toman las precauciones descritas a continuación.

- **Sujete la máquina con las dos manos y coloque los brazos en una posición que permita compensar las fuerzas de rebote de la misma. No realice nunca cortes sujetando la máquina directamente ante el cuerpo.** En caso de rebote, la sierra circular puede saltar hacia atrás, pero el operario puede resistir las fuerzas de rebote mediante las medidas de precaución apropiadas.
- **Si la hoja de sierra se engancha o interrumpe el trabajo, desconecte la sierra y mantenga el material quieto hasta que la hoja de sierra se pare. No intente nunca alejar la hoja de la pieza de trabajo ni tirar hacia atrás mientras la hoja de sierra esté en movimiento, de lo contrario puede sufrirse un rebote.** Averigüe y solucione el motivo del enganche de la hoja de sierra.
- **Antes de volver a arrancar la máquina puesta en la pieza de trabajo, centre el disco de sierra en la ranura de corte y compruebe que no está bloqueado el dentado.** Si la hoja de sierra se engancha, se puede salir de la pieza de trabajo y provocar un rebote si se reinicia la sierra.

- **Siempre que se corten placas de grandes dimensiones, éstas se deben apoyar para evitar golpes al bloquearse el disco de sierra.** Las placas grandes se puede doblar por su propio peso. Las placas tienen que tener un soporte por ambos lados, tanto cerca de la ranura de la sierra como en el borde.

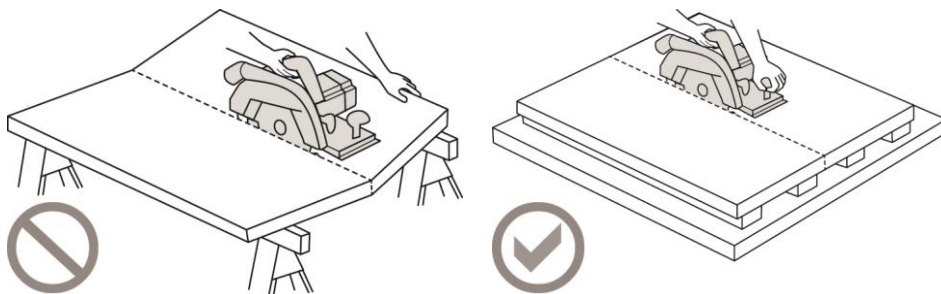


Fig. 47: Apoyo erróneo y apoyo correcto

- **No utilice nunca hojas de sierra despuntadas o dañadas.** Las hojas de sierra con dientes romos o mal colocados provocan un mayor roce, enganches de la hoja de sierra y rebotes por una ranura de sierra demasiado estrecha.
- **Antes de proceder a cortar, fije los dispositivos para ajustar la profundidad y el ángulo de corte.** Si durante la sierra se cambian las configuraciones, se puede enganchar la hoja de sierra y provocar un rebote.
- **Ponga especial precaución al serrar paredes existentes u otras zonas que no se vean.** La hoja de sierra insertada se puede bloquear al serrar en objetos ocultos y provocar un rebote.

### Funcionamiento de la funda inferior



- **Antes de utilizar la máquina, compruebe el correcto funcionamiento de la cubierta de protección inferior.** Prohibido utilizar la máquina sino es posible mover ni cerrar correctamente la cubierta inferior. No bloquear ni fijar de algunamnera la cubierta en la posición de abierto. Si cae la sierra al suelo de forma involuntaria, se puede doblar la funda protectora inferior. Abra la funda protectora con la palanca y asegúrese de que se mueve sin problemas y toca la hoja de sierra ni otras piezas en ninguna profundidad ni ángulo de corte.
- **Compruebe el correcto funcionamiento del resorte de la cubierta protectora inferior.** En caso de anomalías en la cubierta protectora inferior o el resorte, entregue la máquina al servicio técnico. Las piezas dañadas, los depósitos pegajosos o la acumulación de virutas hacen que la funda protectora trabaje con retraso.
- **Sólo abra manualmente la cubierta protectora inferior para realizar cortes especiales, como "inmersión" o "angular".** Para abrir la cubierta protectora inferior, accione la palanca prevista. En el momento de entrar la hoja de sierra en la pieza de trabajo, suelte la palanca. Durante todos los trabajos con sierra, la funda protectora inferior debe trabajar de forma automática.
- **No coloque nunca la máquina en el banco de trabajo o en el suelo sin haber protegido la hoja de sierra colocando la cubierta protectora inferior en la posición adecuada.** Si la hoja de sierra está en marcha de inercia sin protección, moverá la sierra en la dirección contraria de corte y serrará lo que se ponga por delante. Tenga en cuenta el tiempo de marcha en inercia de la hoja de sierra.

### Funcionamiento de la cuña de separación

- **Utilice la hoja de sierra apta para la cuña de separación.** Para que la cuña de separación tenga efecto, la matriz de la hoja de sierra tendrá que ser más fina que la cuña de separación y el ancho del diente debe ser superior al grosor de la cuña de separación.
- **Ajuste la cuña de separación como se describe en el manual de instrucciones.** Si la cuña de separación no ejerce el efecto deseado y evita el rebote, se puede deber a unas distancias, posiciones y colocaciones erróneas.
- **Utilice siempre la cuña de separación, excepto realizando cortes de inmersión.** Monte la cuña de separación después del corte de inmersión. La cuña de separación estorba a la hora de realizar cortes de inmersión y puede provocar un rebote.
- **La cuña de partir sólo tendrá efecto si se encuentra en la ranura de corte.** En el caso de cortes cortos, la cuña de separación no tiene efecto a la hora de evitar un rebote.
- **No utilice la máquina si la cuña de partir está deformada.** Una leve interferencia ya puede ralentizar el cierre de la funda protectora.

**GUARDAR ESTAS INSTRUCCIONES!**

### 3.5 Dispositivos de seguridad



 <b>Peligro</b>	
	<p><b>Peligro de lesiones por falta de dispositivos de seguridad</b></p> <p>Los dispositivos descritos garantizan la seguridad en el trabajo con esta máquina, por lo tanto, no se pueden desmontar ni desactivar.</p> <ul style="list-style-type: none"> <li>➤ Compruebe el funcionamiento de los dispositivos de seguridad y posibles daños antes de empezar a trabajar.</li> <li>➤ No utilice la máquina si faltan dispositivos de seguridad o no hacen efecto.</li> </ul>

La máquina ofrece los siguientes dispositivos de seguridad:

Dispositivo de seguridad	Tipo de revisión
Cubierta de protección fija superior	Control óptico de daños
Cubierta de protección flexible inferior	Control de funcionamiento (apertura total y cierre súbito sin rebote)
Placa de soporte grande	Control óptico de daños y deformaciones
Agarraderas	Control óptico de daños
Cuña de partir	Control óptico de daños y deformaciones
Dispositivos de conexión y desconexión y freno	Control de funcionamiento (tiempo de freno máx. 7 segundos)
Tubo de aspiración	Control óptico de daños y obstrucción

En caso de daños o de funcionamiento erróneo de los dispositivos de seguridad, respete las indicaciones del capítulo Solución de averías. En cualquier otro caso, consulte a su distribuidor o directamente al servicio técnico de MAFELL.

### 3.6 Riesgos restantes

 <b>Advertencia</b>	
	<p><b>Riesgo de lesiones al trabajar con la máquina</b></p> <p>A pesar de utilizar la máquina conforme al uso proyectado y respetando todas las normas de seguridad aplicables, siguen existiendo riesgos, debido a la finalidad de uso, que pueden tener consecuencias para la salud.</p> <ul style="list-style-type: none"> <li>➤ Respete las indicaciones de seguridad y la información de este manual.</li> <li>➤ Trabaje siempre con máxima atención y precaución cuando manipule la máquina.</li> </ul>

Los riesgos restantes incluyen:



- Contacto con la hoja de sierra en la zona de comienzo de corte debajo de la placa de soporte.
- Contacto con la parte saliente de la hoja de sierra en la parte inferior de la pieza de trabajo durante el corte.
- Contacto lateral con los siguientes elementos giratorios: Hoja de sierra, brida de sujeción y tornillo de brida.
- Retroceso de la máquina al atascarse con la pieza de trabajo.
- Rotura o desprendimiento de la hoja de sierra o de partes de la misma.
- Daños al oído debido al trabajo intensivo sin la protección adecuada.
- Emisión de polvo de madera, nocivo para la salud, durante el trabajo intensivo sin el conveniente sistema de aspiración.
- Desprendimiento de la barra FLEXI en caso de uso inapropiado.

## 4 Equipamiento / Ajustes



### 4.1 Alimentación de red

Antes de poner en marcha la máquina, asegúrese de que la tensión de red se corresponda con la tensión de servicio indicada en la placa de identificación de la máquina.

### 4.2 Montaje de la toma de conexión

 <b>Advertencia</b>	
	<p><b>Descarga eléctrica al cortar el conducto de conexión</b></p> <p>Un conducto de conexión puede afectar al funcionamiento de la seguridad y el trabajo y puede entrar en contacto con la herramienta de corte. Si se corta el conducto de conexión propio, las piezas de metal de la máquina estarán en tensión y se provocará una descarga eléctrica. Existe de riesgo de que el usuario sufra lesiones.</p> <ul style="list-style-type: none"> <li>➤ Cuando trabaje preste atención al montaje del conducto de conexión.</li> <li>➤ No corte su propio conducto de conexión.</li> </ul>

### 4.3 Sistema de aspiración de virutas

 <b>Precaución</b>	
	<p><b>Riesgos para la salud por el polvo de madera</b></p> <p>Los polvos que se generan al trabajar, se aspiran y pueden causar daños a la salud.</p> <ul style="list-style-type: none"> <li>➤ Los polvos nocivos para la salud tienen que aspirarse con un aspirador HEPA 13.</li> <li>➤ Utilice al trabajar una mascarilla contra el polvo.</li> </ul>

Quando corte materiales que provoquen la formación masiva de polvo, conecte la máquina con un sistema de aspiración externo adecuado. La velocidad mínima del aire tiene que ser de 20 m/s [65 ft/sec].

El diámetro exterior del manguito de absorción es de 28 mm [1.1 in].

### 4.4 Selección de la hoja de sierra

Para asegurar una calidad de corte óptima, utilice una herramienta bien afilada y seleccione la herramienta de la siguiente lista según el material y el uso:

**Cortar madera blanda y dura transversalmente o en el sentido de la fibra:**

- Disco de sierra HM Ø 120 x 1,8 x 20 mm, 24 dientes [Ø 4.72 x 0.07 x 0.79 in]

**Cortar madera blanda y dura especialmente a lo largo de la fibra:**

- Disco de sierra HM Ø 120 x 1,8 x 20 mm, 12 dientes [Ø 4.72 x 0.07 x 0.79 in]

**Cortar madera blanda y dura transversalmente al sentido de la fibra:**

- Disco de sierra HM Ø 120 x 1,8 x 20 mm, 40 dientes [Ø 4.72 x 0.07 x 0.79 in]

**Cortar estratificado:**

- Disco de sierra HM Ø 120 x 1,8 x 20 mm, 40 dientes [Ø 4.72 x 0.07 x 0.79 in]



**Cortar materiales aislantes de fibra de madera:**

- Disco de sierra HM Ø 120 x 1,8 x 20 mm, 40 dientes [Ø 4.72 x 0.07 x 0.79 in]

**Cortar plásticos (poliestireno):**

- Disco de sierra HM Ø 120 x 1,8 x 20 mm, 24 dientes [Ø 4.72 x 0.07 x 0.79 in]

### 4.5 Cambio de la hoja de sierra

 <b>Precaución</b>	
	<p><b>Riesgo de lesiones por el disco de sierra afilado</b></p> <p>El disco de sierra está afilado. Se puede lesionar al cambiar el disco de sierra.</p> <ul style="list-style-type: none"> <li>➤ Utilizar guantes protectores para cambiar el disco de sierra.</li> <li>➤ Proceder con precaución a la hora de cambiar el disco de sierra.</li> </ul>



Para cambiar la funda protectora móvil, proceda de la siguiente manera:

1. Desenchufe la máquina.
2. Pose el cable a la vista.
3. Coloque la máquina desenchufada en una superficie plana.
4. Se puede colocar la cubierta protectora móvil con ayuda de la palanca de avance 3 o con la mano en la posición abierta máxima.
  - Para sacar la hoja de sierra, colocar manualmente la cubierta protectora móvil en la posición de apertura máxima.
5. Accionar y mantener pulsado el perno de bloqueo 10.
6. Insertar la llave hexagonal B en el tornillo de brida 11 y gírela **en la dirección contraria a las agujas del reloj**, hasta que la hoja de sierra esté encajada en el bloqueo.
  - La hoja de sierra se sujeta en la posición y el tornillo de brida se puede soltar.
7. Aflojar los tornillos de brida 11 con ayuda de la llave hexagonal B **en la dirección contraria a las agujas del reloj**.
  - Puede soltar el perno de bloqueo.
8. Desmonte el tornillo de brida 11 y la brida de sujeción delantera 12.
9. Desmonte la hoja de sierra usada.
  - Las bridas de sujeción tienen que estar libres de cuerpos extraños.
  - Ahora se puede montar la hoja de sierra nueva.

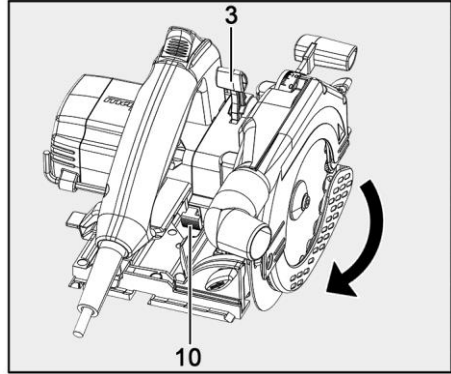


Fig. 48: Bloquear el eje de la sierra

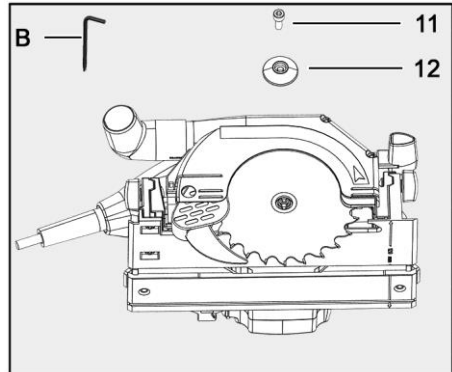


Fig. 49: Retirar la hoja de sierra usada

10. Coloque la nueva hoja de sierra 13 sobre la brida trasera 15.
  - Preste atención al sentido de giro a la hora de montar la hoja de sierra. Los dientes de la sierra o la flecha de la hoja de sierra 13 tienen que estar orientados hacia la flecha 14 de la máquina.
11. Insertar la brida de sujeción 12 y el tornillo de brida 11.

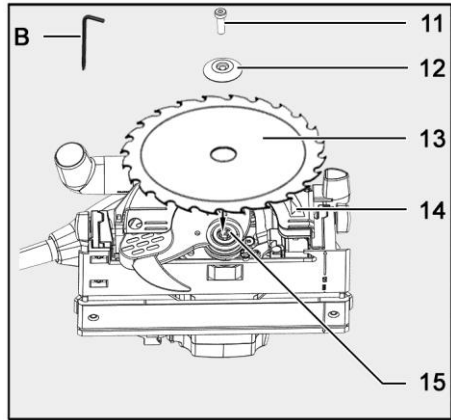


Fig. 50: Cambiar la hoja de sierra

12. Accionar y mantener pulsado el perno de bloqueo 10.
13. Girar el tornillos de brida 11 con ayuda de la llave hexagonal B **en la dirección de las agujas del reloj.**
  - Puede soltar el perno de bloqueo.
  - La hoja de sierra está fijada.
14. Cerrar la cubierta de protección flexible.
  - ✓ Se ha cambiado la hoja de sierra.

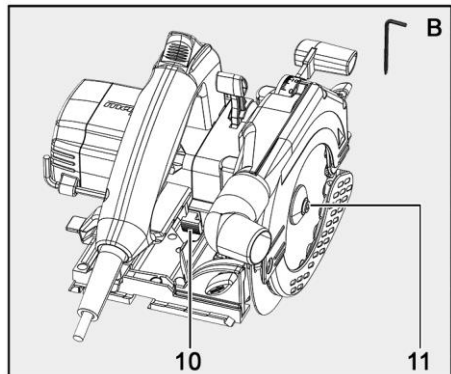


Fig. 51: Fijar el disco de sierra

#### 4.6 Cuña de partir

La cuña de partir evita que se atasque la hoja de sierra al realizar cortes longitudinales. Además, la cuña de partir retrocede en la máquina al realizar cortes de inmersión. Así evita que rebotes al serrar.

La distancia correcta con la hoja de sierra se muestra en la figura.

**Para ajustar la distancia de cuña de partir, proceda de la siguiente manera:**

1. Desenchufe la máquina.
2. Aflojar el tornillo 16 con ayuda de la llave hexagonal suministrada B **en la dirección contraria a las agujas del reloj.**
3. Mueva la cuña de partir desplazándola en la ranura longitudinal.
  - Respetar la distancia máxima con el disco de sierra (ver fig. 52).
4. Después apretar el tornillo 16 con ayuda de la llave hexagonal B **en la dirección de las agujas del reloj.**
  - ✓ La distancia de la cuña de partir está ajustada.

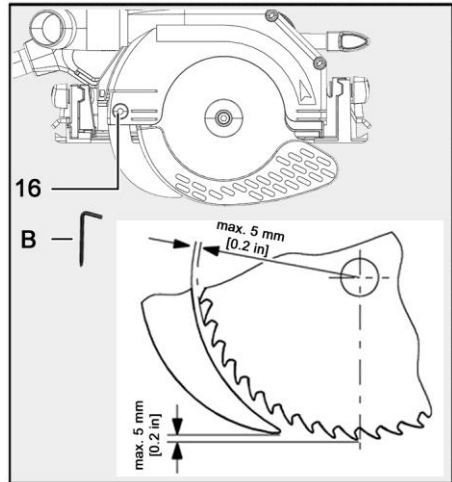


Fig. 52: Distancia de la cuña de partir a la hoja de sierra

## 5 Funcionamiento

### 5.1 Puesta en funcionamiento

#### Advertencia

Cada persona encargada del manejo de la máquina ha de estar familiarizada con el manual de instrucciones y, en particular, con el apartado "Instrucciones de seguridad".

### 5.2 Conectar

**Para conectar la máquina, proceda de la siguiente manera:**

1. Presionar el dispositivo de bloqueo de conexión 4 hacia delante para desbloquear.
2. Accionar y sujetar la palanca de mando 6 con el dispositivo de bloqueo de conexión presionado.
3. Suelte el dispositivo de bloqueo 4.
  - ✓ La máquina está conectada

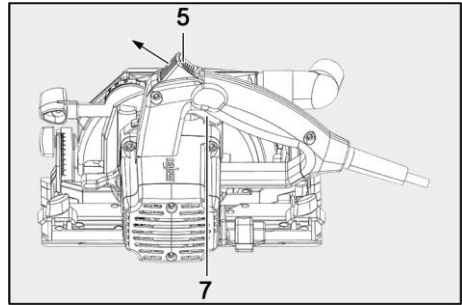


Fig. 53: Conectar la máquina



Puesto que se trata de un interruptor sin bloqueo, la máquina sólo funcionará manteniendo accionada esta palanca.

### 5.3 Desconexión

**Para desconectar la máquina, proceda de la siguiente manera:**

1. Suelte la palanca de mando 6.
  - Gracias al freno automático integrado, el tiempo de funcionamiento hasta la parada del disco de sierra se reduce a unos 5 segundos, aproximadamente.
  - Se activará de nuevo el dispositivo de bloqueo de conexión para evitar que la sierra circular manual se ponga en marcha sin querer.
- ✓ La máquina está desconectada.

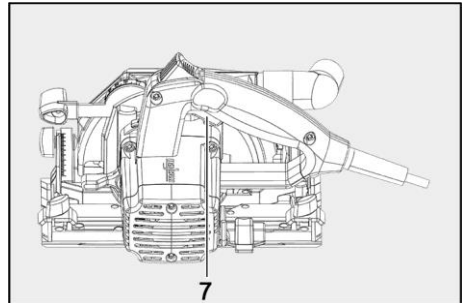


Fig. 54: Desconectar la máquina



Tan pronto como el tiempo de frenada dure más de 7 segundos, solicite la revisión de la máquina y monte una nueva pastilla de freno.

### 5.4 Ajuste de la profundidad de corte

La profundidad de corte se puede ajustar de forma continua dentro de un rango de 0 a 42 mm [0 to 1.65 in].

**Para ajustar la profundidad de corte, proceda de la siguiente manera:**

1. Soltar la palanca de sujeción 7.
2. Ajuste la profundidad de corte con la palanca de incisión 1.
  - Se puede leer la profundidad de corte en la escala 2 de la tapa. La aguja sirve para la superficie en rojo de la palanca de incisión 1.
3. Vuelva a apretar la palanca de apriete 7.
  - ✓ Se ha ajustado la profundidad de corte.

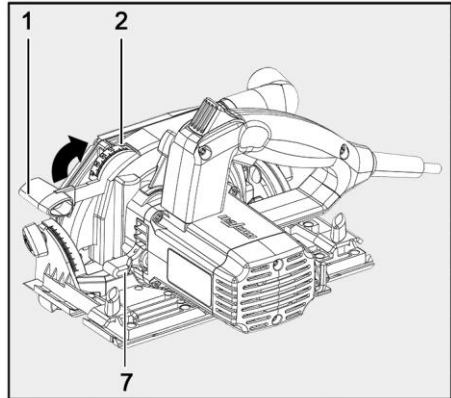


Fig. 55: Ajustar la profundidad de corte



Ajuste la profundidad de corte para cortes de separación siempre a 2 - 5 mm [0.08 bis 0.2 in] superior al espesor del material a cortar.

### 5.5 Ajustes para cortes inclinados

Para realizar cortes inclinados, se puede inclinar el grupo sierra de 0° hasta 45°.

**Para ajustar el equipo de sierra para cortes inclinados, proceda de la siguiente manera:**

1. Para inclinar el equipo de sierra, coloque la máquina de forma que se pueda girar.
2. Aflojar los dos tornillos de mariposa 9 del segmento oscilante.
3. Ajuste el ángulo con ayuda de la escala 8 en la unidad de giro.
4. A continuación, apretar bien los dos tornillo de mariposa 9.
- ✓ El equipo de sierra está ajustado al ángulo deseado para el corte inclinado.

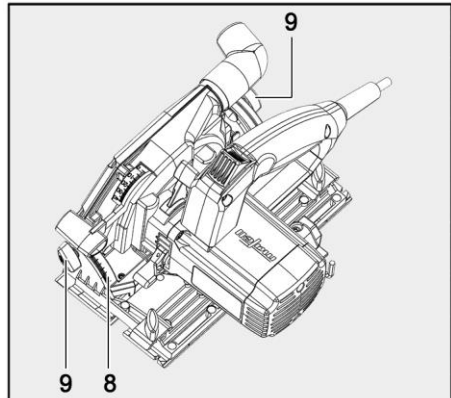


Fig. 56: Ajustar el equipo de sierra para cortes inclinados

## 5.6 Cortes de incisión

### **⚠ Advertencia**



**Si se realizan cortes de incisión, existe peligro de retroceso.**

Al realizar cortes de incisión, la máquina puede rebotar si se atasca. Esto puede causar lesiones graves.

- Antes de realizar un corte de incisión, fije la máquina por el borde posterior de la placa de soporte en un tope fijado de forma segura en la pieza de trabajo.
- Durante el corte de incisión, sujete la máquina por la agarradera y desplácela con cuidado hacia delante.

**Para realizar un corte de incisión, proceda de la siguiente manera:**

1. Soltar la palanca de sujeción 7.
2. Ajustar la máquina con la palanca de inmersión 1 en la posición superior.
3. Con la palanca previa 3 se puede abrir totalmente la funda protectora móvil, para que se pueda colocar la máquina sobre la pieza de trabajo.
  - La hoja de sierra y la cuña de partir están libres sobre el material.
4. Oriente la máquina sobre la pieza de trabajo para el corte de incisión.
5. Conectar la máquina y pulsar la palanca de incisión 1 hacia abajo.
  - De esta forma se introduce la hoja de sierra en la pieza de trabajo de forma vertical. La profundidad de corte se indica en la escala 2. Durante el proceso de incisión, la cuña de partir se mueve hacia arriba. Una vez que se haya abierto la ranura detrás de la hoja de sierra al avanzarse la máquina hacia delante, la cuña de partir vuelve a su posición normal.
6. Finalice el avance al llegar al final del corte de incisión.
7. Desconecte la máquina.
8. Sacar el disco de sierra de la ranura de la sierra con la palanca de inmersión.
9. Vuelva a apretar la palanca de apriete 7.
  - ✓ Se ha realizado el corte de incisión.

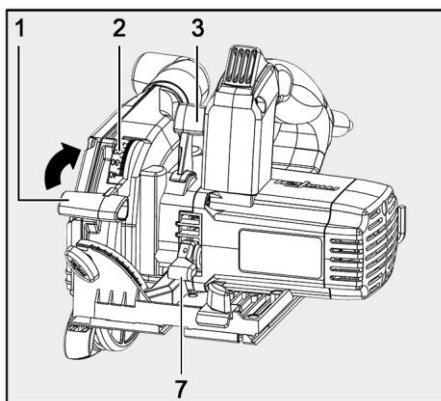


Fig. 57: Realizar el corte de incisión.

### 5.7 Cortes de juntas corridas



Respetar el ancho mínimo de la junta corrida a la hora de serrar:

Profundidad de corte	Ancho de la junta corrida sin tope paralelo	Ancho de la junta corrida con tope paralelo
0 - 32 mm [0 - 1.26 in]	13 mm [0.51 in]	14 mm [0.55 in]
32 - 42 mm [1.26 - 1.65 in]	13 mm [0.51 in]	18 mm [0.71 in]

Para serrar una junta corrida, proceda del siguiente modo:

1. Ajuste la profundidad de corte deseada en la máquina.
  - Tener en cuenta la tabla anterior sobre el ancho mínimo de la junta corrida.
2. Abrir la cubierta protectora móvil con la palanca de avance 3 y colocar la máquina sobre la pieza de trabajo que se va a adaptar.
3. Conecte la máquina.
4. Desplace la máquina hacia delante de forma uniforme en la dirección de trabajo.
  - Usar un equipo de absorción de la clase HEPA.
5. Tras trabajar la pieza, desconectar la máquina.
  - ✓ Junta corrida serrada.

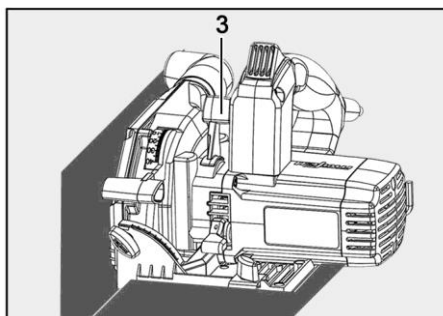


Fig. 58: Serrar junta corrida

## 5.8 Serrar con carril flexible

### Precaución



**Riesgo de lesiones si el carril flexible se suelta.**

El carril flexible viene previamente tensado y se puede soltar de forma incontrolada.

➤ Sujetar bien con las dos manos al abrir y cerrar.

### Antes del primer uso:

Se debe recortar la protección contra virutas para adaptarla al carril flexible antes del primer uso.

#### Para recortar la protección contra virutas del carril flexible, proceda de la siguiente manera:

1. Colocar el carril flexible sobre una superficie plana.
2. Ajustar en la máquina una profundidad de 3 mm y la escala angular a 0°.
3. Colocar la máquina sobre el asa roja del carril flexible de forma que los elementos guía 17 del carril encajen en la ranura de la placa base.
4. Conecte la máquina.
5. Cortar la protección contra virutas 18 de forma homogénea por todo el carril flexible.
6. Desconecte la máquina.
  - ✓ Se ha recortado la protección contra virutas.

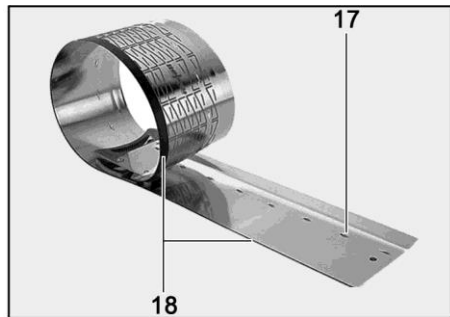


Fig. 59: Recortar las protección contra virutas

De esta manera se realiza un canto de corte en la protección para cortes limpios que sirve de canto de trazado para cortes verticales e inclinados.



### Uso del carril flexible:

El carril flexible permite realizar cortes rectos e inclinados de hasta 1,4 m (55.12 in).

#### Para trabajar con el carril flexible, proceda de la siguiente manera:

1. Colocar el carril flexible sobre la pieza de trabajo.
2. Alinear el carril flexible a la pieza de trabajo.
3. Colocar los dos ganchos 19 en el carril flexible.
4. Tensar las dos abrazaderas 20 para fijar a los dos ganchos 19 y la pieza de trabajo.
  - El carril flexible está fijado a la pieza de trabajo.
5. Ajustar en la máquina la profundidad de trabajo deseada y el ángulo de inclinación.
6. Colocar la máquina sobre el asa roja del carril flexible de forma que los elementos guía 17 del carril encajen en la ranura de la placa base.
7. Conecte la máquina.
8. Desplace la máquina hacia delante de forma uniforme en la dirección de trabajo.
9. Tras trabajar la pieza, desconectar la máquina.
10. Quitar la máquina del carril flexible.
  - ✓ Se ha finalizado el trabajo con el carril flexible.

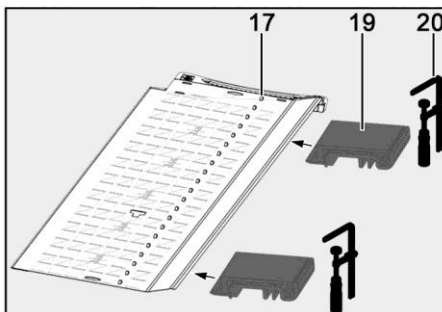


Fig. 60: Utilizar el carril flexible

### 5.9 Serrar por la línea de trazado

La placa base tiene un borde de corte 21, sirve tanto para el corte vertical como para los cortes angulares. Este canto de trazado 21 corresponde al lateral interior (lateral orientado hacia el motor) de la hoja de sierra.

Para cortes inclinados, se puede ver el corte por el orificio en el lateral interior de la cubierta protectora superior (a la izquierda en la dirección de corte).

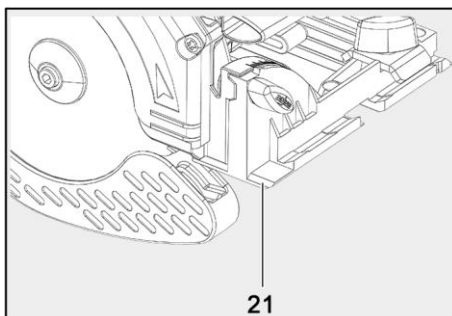


Fig. 61: Canto de trazado

**Para serrar según el trazado, proceda de la siguiente manera:**

1. Para cortar, sujete la máquina por las agarraderas y coloque la parte delantera de la placa de soporte sobre la pieza de trabajo.
  2. Coloque el canto de trazado 21 en el canto de la pieza de trabajo.
  3. Conecte la máquina.
  4. Procure que el canto de trazado 21 y el borde delantero de la hoja de sierra se desplacen por el trazado marcado.
  5. Desplace la máquina de forma uniforme en la dirección de corte.
  6. Desconecte la máquina después de finalizar el corte.
- ✓ Finalizada sierra por la línea de trazado.

**5.10 Cortar con tope paralelo**

Con ayuda del tope paralelo C se pueden realizar cortes paralelos a los bordes existentes. El tope puede fijarse tanto en el lado derecho (lateral del motor) como en el lado izquierdo (lateral de la herramienta) de la máquina. La posible distancia ajustable en el lateral derecho es de 175 - 250 mm [6.89 - 9.84 in] y en el lateral izquierdo de 12-65 mm [0.47 - 2.56 in]. En la zona de 175 – 200 mm [6.89 - 7.87 in] del lateral del motor, se tiene que ajustar la máquina aprox. 10 mm [0.4 in] hacia arriba para que se pueda desplazar el tope por debajo de la carcasa del motor.

Para comprobar el ancho ajustado, utilice un medio de medición adicional (como una barra de metro) para ajustar el tope paralelo a la medida correcta (borde del tope paralelo a la línea de corte).

**⚠ Advertencia**



**Riesgo de lesiones si la funda protectora no funciona.**

Si se utiliza un tope paralelo inferior a la medida mínima, este puede afectar al funcionamiento de la funda protectora inferior. Es probable que entonces se pueda acceder libremente a la hoja de sierra.

- Utilice el tope paralelo en las zonas de corte permitidas. Tenga en cuenta las escalas de las barras guía.

**Para colocar el tope paralelo, proceda de la siguiente manera:**

1. Aflojar los tornillos de mariposa 5 en ambos lados.
  2. Coloque el tope paralelo C en la guía prevista para ello.
    - Se puede colocar en la parte izquierda o derecha de la máquina.
  3. Apretar de nuevo los tornillos de mariposa en ambos lados.
- ✓ Se ha colocado el tope paralelo.

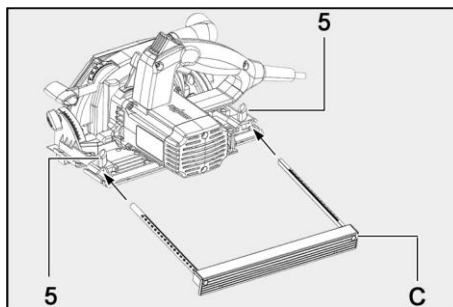


Fig. 62: Colocar el tope paralelo

**Para modificar el ancho de corte, proceda de la siguiente manera:**

1. Aflojar los tornillos de mariposa 5 en ambos lados.
2. Modificar el tope paralelo.
3. Apretar de nuevo los tornillos de mariposa en ambos lados.
  - ✓ Se ha modificado el ancho de corte.

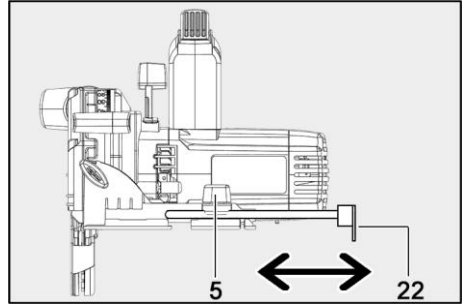


Fig. 63: Ajustar el ancho de corte con el tope paralelo



Adicionalmente, con un simple giro del tope paralelo (la brida guía 22 indica hacia arriba), se puede usar también como soporte doble para guiar mejor la sierra circular manual.

Se puede guiar la máquina también con el tope paralelo contra una barra guía fijada a la pieza de trabajo o regleta de madera. Para ello se tiene que girar el tope paralelo, para que la lengüeta guía 22 mire hacia arriba.

### 5.11 Trabajar con un dispositivo guía



Consultar la descripción del dispositivo guía en el manual anexo "Dispositivo guía L/M/ML/S".

## 6 Mantenimiento y reparación

Las máquinas de MAFELL requieren escaso mantenimiento.

Los rodamientos de bolas utilizados están engrasados de forma permanente. Se recomienda llevar la máquina a un centro de servicio al cliente autorizado de MAFELL para su revisión después de algún tiempo de funcionamiento.

### 6.1 Almacenaje

Limpiar cuidadosamente la máquina si no se va a utilizar durante un largo período de tiempo. Pulverizar piezas de metal fino con un producto antioxidante.

## 7 Eliminación de fallos técnicos

### Advertencia



#### **Riesgo de lesiones si la máquina se conecta de repente.**

Las distracciones al trabajar con la máquina o al solucionar fallos técnicos puede hacer que la máquina se conecte de repente. Como consecuencia, se pueden producir lesiones graves con la hoja de sierra giratoria.

- La determinación y eliminación de fallos técnicos requieren siempre especial cuidado.
- Desenchufar antes de solucionar fallos técnicos.

A continuación, se indican los fallos más frecuentes y sus causas. En caso de que se produzcan otros errores, diríjase a su distribuidor o directamente al servicio técnico de MAFELL.

Fallo	Causa	Solución
No se puede poner en marcha la máquina	Poca o ninguna tensión de red	Solicitar al electricista que compruebe el suministro de tensión
	Fusible de red defectuoso	Solicitar al electricista que sustituya el fusible
	Escobillas de carbón desgastadas	Entregue la máquina a un centro de servicio al cliente autorizado de MAFELL
La máquina se para durante el corte	Falta de tensión	Solicitar a un electricista que compruebe los fusibles del lado de la red
	Sobrecarga de la máquina	Disminuya la velocidad de avance
	Escobillas de carbón desgastadas	Entregue la máquina a un centro de servicio al cliente autorizado de MAFELL
El disco de sierra se atasca al avanzar la máquina	Velocidad de avance excesiva	Disminuya la velocidad de avance
	Hoja de sierra roma	Suelte el interruptor de inmediato. Aleje la máquina de la pieza de trabajo y cambie el disco de sierra.
	Tensiones en la pieza de trabajo	Máxima precaución al serrar, aumenta el riesgo de rebote.
	Mala guía de la máquina (p.ej. si se guía con la mano sin apoyar)	Utilice el tope paralelo
	Superficie desigual de la pieza de trabajo	Alinee la superficie
La hoja de sierra vibra en la pieza de trabajo	Hoja de sierra no ajustada correctamente	Apretar la hoja de sierra
	Pieza de trabajo no fijada	Fijar la pieza de trabajo con ganchos
El disco de sierra se para - el motor sigue funcionando	La hoja de sierra no está fijada correctamente	Apretar la hoja de sierra
Quemaduras en el corte	Hoja de sierra no apta para el proceso de corte en cuestión	Cambie la hoja de sierra
Eyector de virutas obstruido	Madera demasiado húmeda	Limpiar el eyector de virutas
	Cortar durante un período largo sin sistema de aspiración conectado	Conecte la máquina con un sistema de aspiración externo, por ejemplo un despolvoreador
La funda protectora inferior móvil no cierra o cierra lentamente	Virutas y piezas de madera en la funda protectora inferior	Quitar las virutas y las piezas de madera

## 8 Accesorios especiales

- Disco de sierra- HM Ø 120 x 1,8 x 20 mm, 12 dientes [Ø 4.72 x 0.07 x 0.79 in] (corte longitudinal) Referencia 092560
- Disco de sierra- HM Ø 120 x 1,8 x 20 mm, 24 dientes [Ø 4.72 x 0.07 x 0.79 in] (cortes longitudinales y transversales) Referencia 092558
- Disco de sierra - HM Ø 120 x 1,8 x 20 mm, 40 dientes [Ø 4.72 x 0.07 x 0.79 in] (corte transversal) Referencia 092559
- Disco de sierra - HM Ø 120 x 1,8 x 20 mm, 40 dientes [Ø 4.72 x 0.07 x 0.79 in] (laminado) Referencia 092578
- Carril flexible FX 140 Referencia 204372
- Accesorio para carril flexible:
  - Gato Referencia 093281
  - Gancho Referencia 203773
- Equipos de absorción S35 HEPA Ref. 91C423
- Dispositivo de guía S Referencia 208169

## 9 Dibujo de explosión y lista de piezas de recambio

Encontrará la información correspondiente sobre las piezas de repuesto en nuestra página web:  
[www.mafell.com](http://www.mafell.com)